



# Fisheye Network Camera FE8174/74V



5MP • 360° Surround View • IP66 •  
Vandal-proof • Pixel Calculator

VIVOTEK FE8174/74V is the latest fisheye fixed dome network camera from VIVOTEK, featuring a detailed 5-Megapixel resolution sensor with superb image quality. Equipped with a fisheye lens for 180° panoramic view (wall mount) or 360° surround view (ceiling/floor/table mount) without blind spots, the camera is able to provide coverage of wide, open areas, such as airports, shopping malls, parking lots, retail stores, offices and more.

The FE8174/74V offers various display layouts, including original surround view, panoramic view, and regional view for various mounting applications. With the latest cutting-edge image processing capabilities, hemispherical images captured from the fisheye camera can be converted into conventional rectilinear projection for viewing and analysis. In addition, in both the panoramic as well as regional viewing modes, users can utilize the ultra-smooth ePTZ function to easily zoom in and focus on a region of interest (ROI). The new cutting-edge pixel calculator function helps the user to ensure the image quality of a desired area.

## Features

- 5 Megapixel
- 1080p Full HD
- 1.5 mm Fisheye Lens
- Day & Night
- H.264, MPEG-4, MJPEG
- EN50155 (FE8174V)
- IK10 Vandal-proof (FE8174V)
- IP66 Weather-proof (FE8174V)
- 802.3af PoE
- On-board Storage
- Pixel Calculator
- Local or Client Dewarp

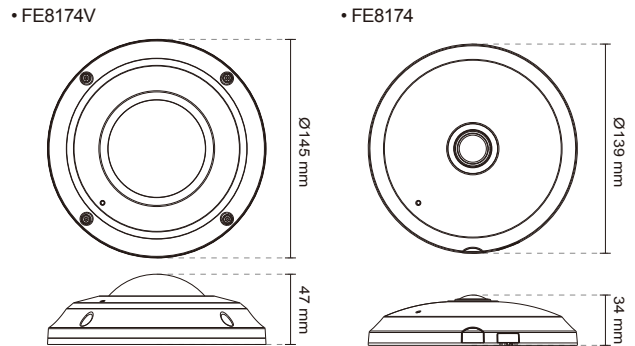


**SUPREME**

## Technical Specifications

Models	FE8174/74V	<b>Alarm and Event</b>	
<b>System Information</b>		<b>Alarm Triggers</b>	Video motion detection, manual trigger, digital input, periodical trigger, system boot, recording notification, camera tampering detection
CPU	Multimedia SoC (System-on-Chip)	<b>Alarm Events</b>	Event notification using digital output, HTTP, SMTP, FTP and NAS server File upload via HTTP, SMTP, FTP and NAS server
Flash	128 MB	<b>General</b>	
RAM	256 MB	<b>Connectors</b>	RJ-45 cable connector for Network/PoE connection Audio input Audio output DC 12V power input Digital input*1 Digital output*1
<b>Camera Features</b>		<b>LED Indicator</b>	System power and status indicator
Image Sensor	1/2.5" Progressive CMOS in 2560 x 1920 resolution	<b>Power Input</b>	DC 12V IEEE 802.3af PoE Class 2
Maximum Resolution	1920x1920	<b>Power Consumption</b>	Max. 5.1 W (DC 12V) Max 5.3 W (PoE)
Lens Type	Fixed-focal	<b>Dimensions</b>	Ø: 145 mm x 47 mm (FE8174V) Ø: 145 mm x 34 mm (FE8174)
Focal Length	f = 1.5 mm	<b>Weight</b>	Net: 545 g (FE8174V) Net: 358 g (FE8174)
Aperture	F2.8	<b>Casing</b>	Vandal-proof IK10-rated metal housing (FE8174V) Weather-proof IP66-rated housing (FE8174)
Field of View	180° (Horizontal) 180° (Vertical) 180° (Diagonal)	<b>Safety Certifications</b>	CE, LVD, FCC Class A, VCCI, C-Tick, EN50155 (FE8174V), UL
Shutter Time	1/5 sec. to 1/32,000 sec.	<b>Operating Temperature</b>	Starting Temperature: -25°C ~ 50°C (-13°F ~ 122°F) Working Temperature: -40°C ~ 50°C (-40°F ~ 122°F)
WDR Technology	WDR Enhanced	<b>Warranty</b>	36 months
Day/Night	Removable IR-cut filter for day & night function	<b>System Requirements</b>	
Minimum Illumination	0.03 Lux @ F2.8, 50 IRE (Color) 0.001 Lux @ F2.8, 50 IRE (B/W)	<b>Operating System</b>	Microsoft Windows 7/Vista/XP/2000
Pan/tilt/zoom Functionalities	ePTZ: 12x digital zoom (12x on IE plug-in)	<b>Web Browser</b>	Mozilla Firefox 7~10 (Streaming only) Internet Explorer 7/8/9
On-board Storage	MicroSD/SDHC/SDXC card slot	<b>Other Players</b>	VLC: 1.1.11 or above Quicktime: 7 or above
<b>Video</b>		<b>Included Accessories</b>	
Compression	H.264, MJPEG & MPEG-4	<b>CD</b>	User's manual, quick installation guide, Installation Wizard 2, ST7501 32-channel recording software
Maximum Frame Rate	15 fps at 1920x1920 30 fps at 1920x1080 In all compression modes	<b>Others</b>	Quick installation guide, warranty card, alignment sticker, desiccant bag, screw driver, screws pack, I/O cable, mounting bracket, software CD
Maximum Streams	3 simultaneous streams		
S/N Ratio	Above 62 dB		
Dynamic Range	57 dB		
Video Streaming	Adjustable resolution, quality and bitrate		
Image Settings	Adjustable image size, quality and bit rate Pixel counter Time stamp, text overlay, flip & mirror Configurable brightness, contrast, saturation, sharpness, white balance, exposure control, gain, backlight compensation, privacy masks Scheduled profile settings		
<b>Audio</b>		<b>Dimensions</b>	
Audio Capability	Audio input/output (full duplex)		
Compression	AAC, G.711, G.726		
Interface	Built-in microphone External microphone input		
Effective Range	5 meters		
<b>Network</b>			
Users	Live viewing for up to 10 clients		
Protocols	IPv4, IPv6, TCP/IP, HTTP, HTTPS, UPnP, RTSP/RTP/RTCP, IGMP, SMTP, FTP, DHCP, NTP, DNS, DDNS, PPPoE, CoS, QoS, SNMP, 802.1X, UDP, ICMP		
Interface	10Base-T/100 BaseTX Ethernet (RJ-45)		
ONVIF	Supported, specification available at <a href="http://www.onvif.org">www.onvif.org</a>		
<b>Intelligent Video</b>			
Video Motion Detection	Five-window video motion detection		

## Dimensions



## Compatible Accessories

### Mounting Kits



**AM-518**  
Dome adapter



**AM-114**  
Pendant head



**AM-515**  
NPT adapter (for AM-518)



**AM-115**  
Pendant pipe

### Power Adapter



**AA-221**  
DC 12V Power Adapter

### Wireless



**N600AG**  
Outdoor wireless access point

### PoE Kits



**POE-IJ-1748NDN**  
PoE injector, 802.3af compliant

All specifications are subject to change without notice. Copyright © VIVOTEK INC. All rights reserved.

Distributed by:



**VIVOTEK INC.**  
6F, No.192, Lien-Cheng Rd., Chung-Ho,  
New Taipei City, 235, Taiwan, R.O.C.  
T: +886-2-82455282 F: +886-2-82455532  
E: sales@vivotek.com

**VIVOTEK USA**  
2050 Ringwood Avenue,  
San Jose, CA 95131  
T: 408-773-8686 F: 408-773-8298  
E: salesusa@vivotek.com

**VIVOTEK Europe**  
Randstad 22-133, 1316BW Almere,  
The Netherlands  
E: saleseurope@vivotek.com

Ver 1.5