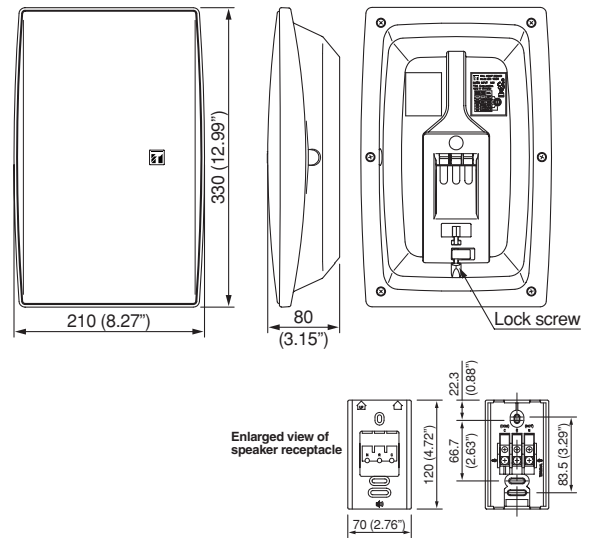


BS-634/634T/1034/1034S Wall Mount Speaker System



APPEARANCE AND DIMENSIONAL DIAGRAM



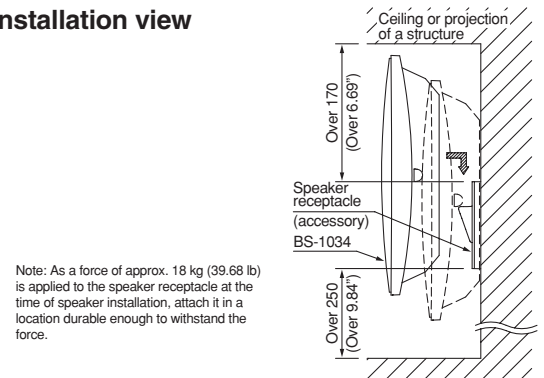
DESCRIPTION

The BS-634/634T/1034/1034S are wall-mount speakers matched with a supplied plug-in speaker receptacle, for easy installation. The 6W rated input BS-634/634T are 5" (12cm) cone-type speakers, while the 10W rated input BS-1034/1034S combine a low-frequency 5" (12cm) cone-type speaker and a high-frequency balanced dome-type speaker. An M4 screw terminal input connector allows easy connections. The speakers are driven on a high-impedance (100V or 70V) line, with rated inputs. A selectable attenuation function is provided on the BS-634T. The speaker enclosure's design proportions are based on the Golden Ratio (1: 1.618). A low profile blends in well with room décor. Both vertical and horizontal installations are possible. Enclosure and grille net colour is off-white, except on the BS-1034S, which comes with a silver net grille.

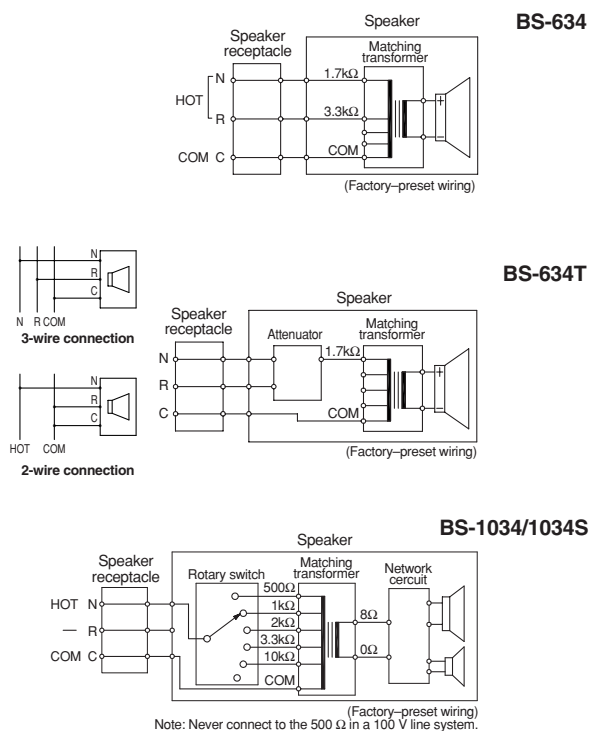
FEATURES

- Innovative speaker design
 - Low profile
 - Beautiful design due to the Golden Ratio (1: 1.618)
- Easy and quick installation
- Thanks to the ingenious location of the TOA logo, the speaker creates a distinctly different impression depending on whether it is installed horizontally or vertically.
- Two colours selectable: off-white, which matches any interior style, and silver, which adds a quality appearance.
- Ideally suited for BGM and announcements

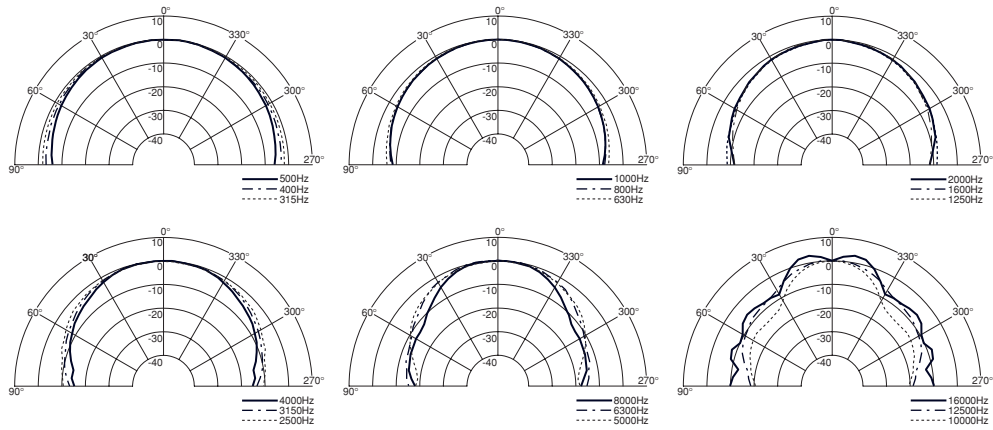
Installation view



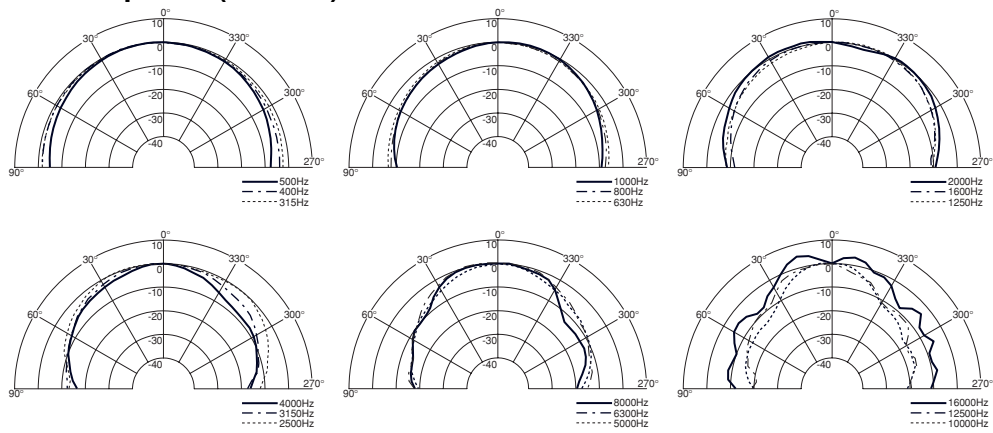
Wiring Diagram



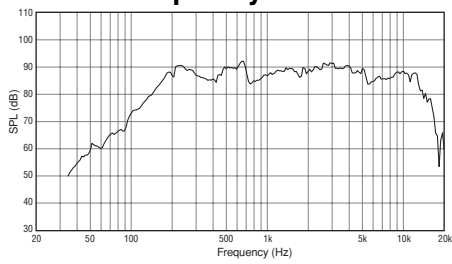
Polar Response (Horizontal)



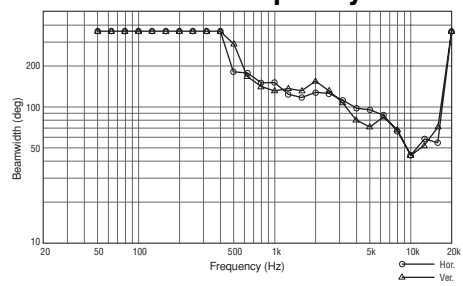
Polar Response (Vertical)



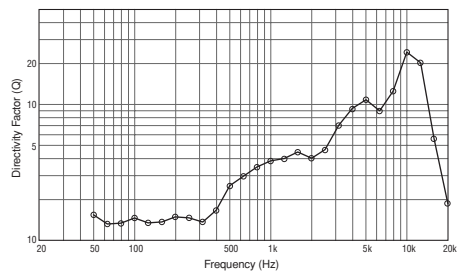
SPL vs. Frequency



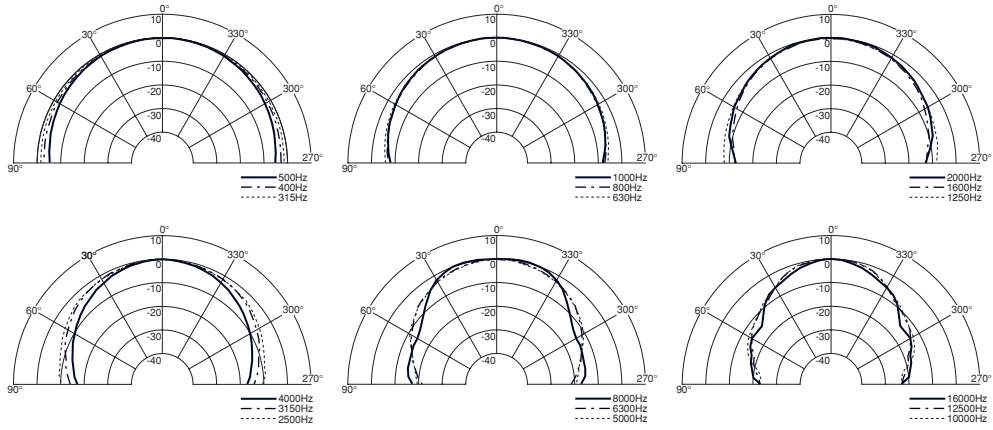
Beamwidth vs. Frequency



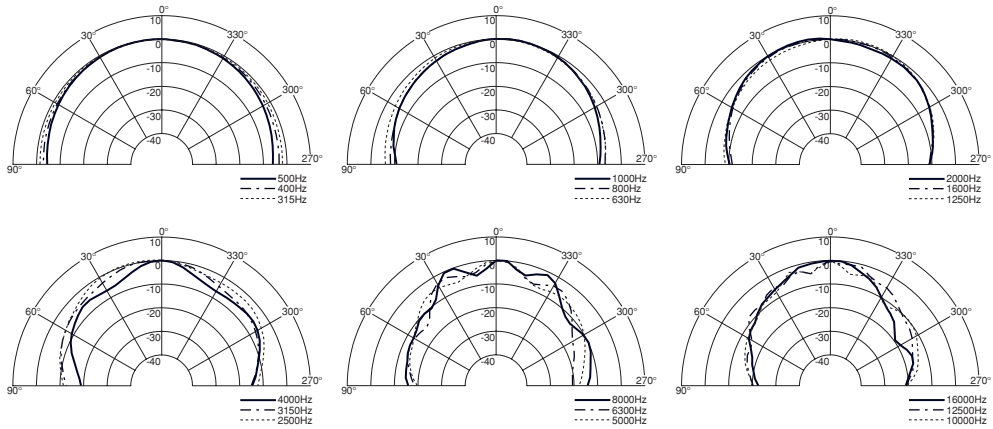
Directivity Factor vs. Frequency



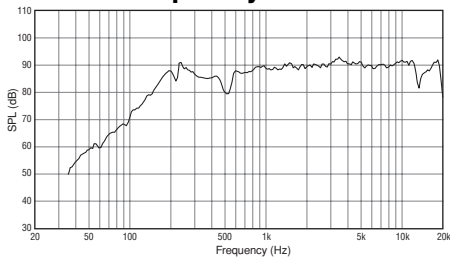
Polar Response (Horizontal)



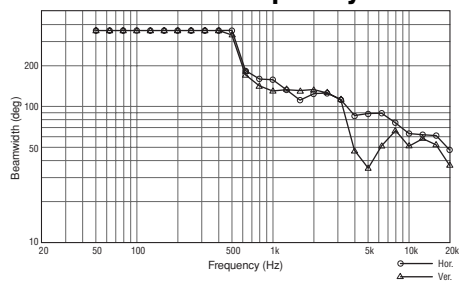
Polar Response (Vertical)



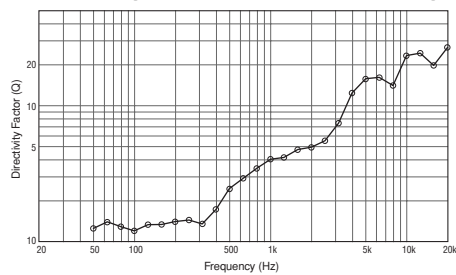
SPL vs. Frequency



Beamwidth vs. Frequency



Directivity Factor vs. Frequency



Specifications

Model No.	BS-634	BS-634T	BS-1034	BS-1034S
Rated Input	6W		10W	
Impedance	100V line: 1.7 k Ω (6W), 3.3 k Ω (3W) 70V line: 1.7 k Ω (3W), 3.3k Ω (1.5W)	100V line: 1.7 k Ω (6W) 70V line: 1.7 k Ω (3W)	100V line: 1 k Ω (10W), 2k Ω (5W), 3.3 k Ω (3W), 10 k Ω (1W) 70V line: 500 Ω (10W), 1 k Ω (5W), 2k Ω (2.5W), 3.3 k Ω (1.5W), 10 k Ω (0.5W)	
Sensitivity (1m/1W)	90 dB			
Frequency Response	120 – 18,000 Hz		120 – 20,000 Hz	
Speaker Component	5" (12cm) cone-type		Low frequency: 5" (12cm) cone-type, High frequency: Balanced dome-type	
Input Connector	M4 screw terminal, distance between barriers: 11mm (0.43")			
Attenuation	—	OFF (NC), 1 (-12dB), 2 (-6dB), 3 (0dB)	—	—
Finish	Enclosure: HIPS resin (fire resistant grade UL94 V-0 or its equivalent), off-white (RAL 9010 or equivalent colour) Net: Surface-treated steel plate, off-white (RAL 9010 or equivalent colour), paint		Enclosure: HIPS resin (fire resistant grade UL94 V-0 or its equivalent), off-white (RAL 9010 or equivalent colour) Net: Steel plate, off-white (RAL 9010 or equivalent colour), paint	Enclosure: HIPS resin (fire resistant grade UL94 V-0 or its equivalent), silver Net: Steel plate, silver, paint
Dimensions	219 (W) \times 330 (H) \times 80 (D)mm (8.27" \times 12.99" \times 3.15")			
Weight	1.3 kg (2.87 lb)		1.4 kg (3.09 lb)	
Accessory	Speaker receptacle \times 1, Wall mounting screw \times 2			

Architect's and Engineer's Specifications

BS-634

The speaker shall be a 5" (12cm) cone type enclosure suitable for wall mounting with a supplied plug-in speaker receptacle accessory. The input connector shall be an M4 screw terminal, with an 11 mm distance between barriers.

The speaker impedance shall be 1.7k Ω (6W) or 3.3k Ω (3W) for a 100V line, and 1.7k Ω (3W) or 3.3k Ω (1.5W) for a 70V line. The output sound pressure level at a distance of 1m with a 1W input level applied shall be 90 dB SPL. The speaker shall have a frequency response of 120 – 18,000Hz (-20dB).

The speaker enclosure shall be constructed of fire resistant HIPS resin. The grille shall be constructed of surface-treated steel plate net. The speaker shall be available in off-white colour. The unit shall have dimensions of 210 (W) \times 330 (H) \times 80 (D) mm (8.27" \times 12.99" \times 3.15"), and a weight of 1.3 kg (2.87 lb).

The speaker shall be a TOA model BS-634.

BS-1034

The speaker unit shall combine a 5" (12cm) cone type low-frequency speaker with a balanced dome-type high frequency speaker. The unit shall be capable of wall mounting with a supplied plug-in speaker receptacle accessory. The input connector shall be an M4 screw terminal, with an 11 mm distance between barriers.

The speaker impedance shall be 1k Ω (10W), 2k Ω (5W), 3.3k Ω (3W) or 10k Ω (1W) for a 100V line, and 500 Ω (10W), 1k Ω (5W), 2k Ω (2.5W), 3.3k Ω (1.5W) or 10k Ω (0.5W) for a 70V line. The output sound pressure level at a distance of 1m with a 1W input level applied shall be 90 dB SPL. The speaker shall have a frequency response of 120 – 20,000Hz (-20dB).

The speaker enclosure shall be constructed of fire resistant HIPS resin. The grille shall be constructed of surface-treated steel plate net. The speaker shall be available in off-white colour. The unit shall have dimensions of 210 (W) \times 330 (H) \times 80 (D) mm (8.27" \times 12.99" \times 3.15"), and a weight of 1.4 kg (3.09 lb).

The speaker shall be a TOA model BS-1034.

BS-634T

The speaker shall be a 5" (12cm) cone type enclosure suitable for wall mounting with a supplied plug-in speaker receptacle accessory. The input connector shall be an M4 screw terminal, with an 11 mm distance between barriers. Four settings of selectable attenuation shall be OFF, -12dB, -6dB, and 0dB.

The speaker impedance shall be 1.7k Ω (6W) for a 100V line, and 1.7k Ω (3W) for a 70V line. The output sound pressure level at a distance of 1m with a 1W input level applied shall be 90 dB SPL. The speaker shall have a frequency response of 120 – 18,000Hz (-20dB).

The speaker enclosure shall be constructed of fire resistant HIPS resin. The grille shall be constructed of surface-treated steel plate net. The speaker shall be available in off-white colour. The unit shall have dimensions of 210 (W) \times 330 (H) \times 80 (D) mm (8.27" \times 12.99" \times 3.15"), and a weight of 1.3 kg (2.87 lb).

The speaker shall be a TOA model BS-634T.

BS-1034S

The speaker unit shall combine a 5" (12cm) cone type low-frequency speaker with a balanced dome-type high frequency speaker. The unit shall be capable of wall mounting with a supplied plug-in speaker receptacle accessory. The input connector shall be an M4 screw terminal, with an 11 mm distance between barriers.

The speaker impedance shall be 1k Ω (10W), 2k Ω (5W), 3.3k Ω (3W) or 10k Ω (1W) for a 100V line, and 500 Ω (10W), 1k Ω (5W), 2k Ω (2.5W), 3.3k Ω (1.5W) or 10k Ω (0.5W) for a 70V line. The output sound pressure level at a distance of 1m with a 1W input level applied shall be 90 dB SPL. The speaker shall have a frequency response of 120 – 20,000Hz (-20dB).

The speaker enclosure shall be constructed of fire resistant HIPS resin. The grille shall be constructed of surface-treated steel plate net. The speaker shall be available in silver colour. The unit shall have dimensions of 210 (W) \times 330 (H) \times 80 (D) mm (8.27" \times 12.99" \times 3.15"), and a weight of 1.4 kg (3.09 lb).

The speaker shall be a TOA model BS-1034S.