



# PA6015 sector antenna 60 deg. 15 dBi



Designed for high density RF environments

Galvanized steel mounting equipment

Excellent radiation characteristics

Easy installation w/o any tools

Durable housing

Light weight

Vertically polarized

15 dBi Antenna gain

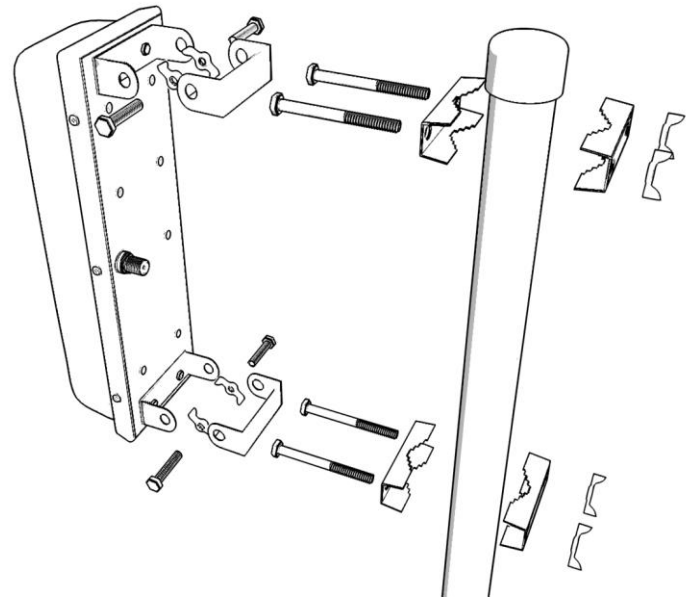
High front to back ratio

Type N Female connector

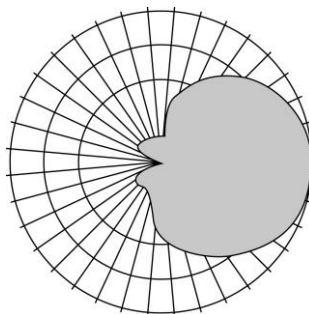
Strong pole mounting material included

## Specifications

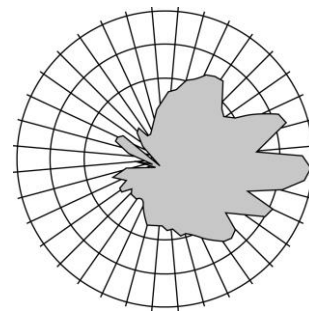
Type	Sector antenna
Polarization	Vertical
Frequency	2,4 – 2,485 Ghz
Impedance	50 OHM
VSWR	1,8:1
Gain	15 dBi
Connector	N-female
Power rating	50 Watt
Dimensions (cm)	49x17x9
Mechanical tilt	0 degrees
Weight	1 Kg excl. Mounting bracket
Max. wind speed	60 m/s
Mounts	Mounting hardware fits 50 mm mast tubes



*Easy installation without any tools through the use of wing nuts.*



*Azimuth radiation pattern*



*Elevation radiation pattern*