



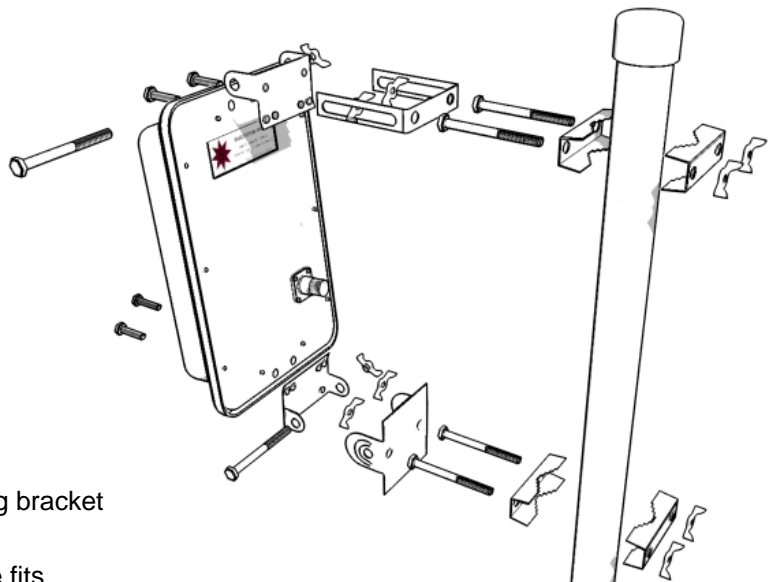
PA12015 sector antenna 120 deg. 12 dBi



- Designed for high density RF environments
- Galvanized steel mounting equipment
- Excellent radiation characteristics
- Easy adjustable vertical tilt
- Durable housing
- Light weight
- Vertically polarized
- 12 dBi Antenna gain
- High front to back ratio
- Type N Female connector
- Strong pole mounting material included

Specifications

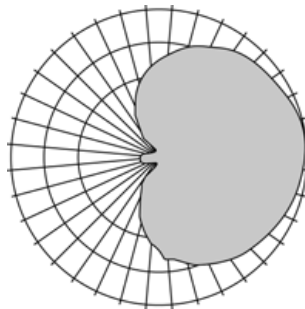
Type	Sector antenna
Polarization	Vertical
Frequency	2,4 – 2,485 Ghz
Impedance	50 OHM
VSWR	1,4:1
Gain	12 dBi
Connector	N-female
Power rating	50 Watt
Dimensions (cm)	49x17x9
Mechanical tilt	0 – 25 degrees
Weight	1 Kg excl. Mounting bracket
Max. wind speed	60 m/s
Mounts	Mounting hardware fits 50 mm mast tubes



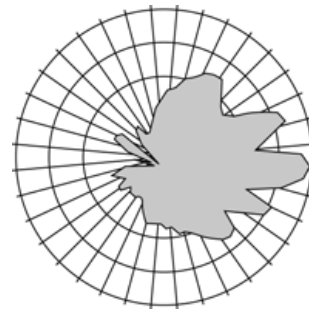
P



Easy adjusting without any tools through the use of wing nuts.



Azimuth radiation pattern



Elevation radiation pattern

