

TeamConnect Wireless

Wireless conference set System specification

FEATURES

- First wireless remote audio conference solution that turns any room into a conference venue
- Easy setup lets you connect in less than a minute
- Contemporary design
- Wireless connectivity via Bluetooth or wired with USB or 3.5mm audio jack cable
- Connects up to 24 people, in any room or table arrangement
- Supports multiple simultaneous audio channels, allowing for additional callers to be added with ease
- The system comes with a durable and stylish case for storing, transporting and charging of the four satellites
- Superior acoustic quality allows for high speech intelligibility



TeamConnect Wireless (TC-W) is the first wireless professional audio solution for remote conferencing with up to 24 people in unequipped rooms and seamless integration of smart devices.

TeamConnect Wireless by Sennheiser is the first, go-anywhere, wireless audio conferencing solution offering incredible ease of use. Anyone can set up a professionally sounding conference in any room or table arrangement. Comprising of four stylish, wirelessly connected satellite units, TeamConnect Wireless can enable conferences for up to 24 people, offering NFC assisted Bluetooth pairing for use with smart devices. Wired connections are also possible via USB and jack cable for high flexibility.

ARCHITECT'S SPECIFICATION

A complete professional wireless audio system designed for setting up audio conferences with up to 24 participants in any room or space available.

The system shall operate in the license-free 1.9 GHz band (frequency ranges shall be as follows: EU/ANZ: 1,880 to 1,900 MHz, US: 1,920 to 1,930 MHz, Central and South America: 1,910 to 1,920 MHz, Japan: 1,893 to 1,906 MHz) and shall have an RF output power of max. 100 mW (EIRP). The system shall offer mobile device connectivity via Bluetooth (v. 4.2 supported profiles: HFP, HSP and A2DP), NFC, as well as USB and audio cable.

The system shall be comprised of four conference units (so-called satellites) powered by a rechargeable battery, a charging and transport case, an external power supply unit for the charging and transport case, plus a USB cable and an audio cable (2.5 mm jack to 3.5 mm jack) to allow for wired connections.

One of the four satellites shall be designed as "master satellite" and shall feature a 2.5 mm jack socket for connecting the audio cable as well as a micro-USB socket for connecting the USB cable. Each satellite shall offer a touch panel with a microphone mute button and a volume control slider. The master satellite's touch panel shall also feature a Bluetooth button for pairing, a USB connection button for deactivating connections, an NFC status icon (lights up when NFC is used) as well as a jack plug icon (lights up when an audio jack is connected). In addition to pairing, the Bluetooth button shall allow the user to manage calls, deactivate an existing Bluetooth connection and end a conference. Alternatively, it shall also be possible to end a conference by pressing the USB button on the touch panel.

Architect's Specification continued

The speaker of a satellite shall use a dynamic driver with a neodymium magnet. The frequency response of the speaker shall range from 200 to 9,000 Hz. The satellite shall also include two MEMS microphones, one of which shall be used for diffuse noise reduction. The microphone frequency response shall range from 200 to 12,000 Hz. Each satellite shall be powered by one Sennheiser BA 100 rechargeable Lithium-Ion battery. The rechargeable battery shall provide a talk time of up to 8 hours. The charging time of the rechargeable battery shall be up to 10 hours.

The charging and transport case shall operate on 12 V DC power supplied by the NT 12-10 BW power supply unit (100-240 V AC, 50-60 Hz). The operating temperature shall range from +5 °C to +45 °C (+41 °F to +113 °F). The satellites shall be 97 mm (3.82") in diameter and 76 mm in height (2.99"), the dimensions of the charging and transport case shall be 280 x 110 x 39 mm (11.02" x 4.33" x 1.54"). Approximate weights shall be as follows: satellite incl. rechargeable battery: 449 g (0.99 lbs.), charging and transport case: 2.7 kg (5.95 lbs.).

The system shall be the Sennheiser TeamConnect Wireless.

SPECIFICATIONS

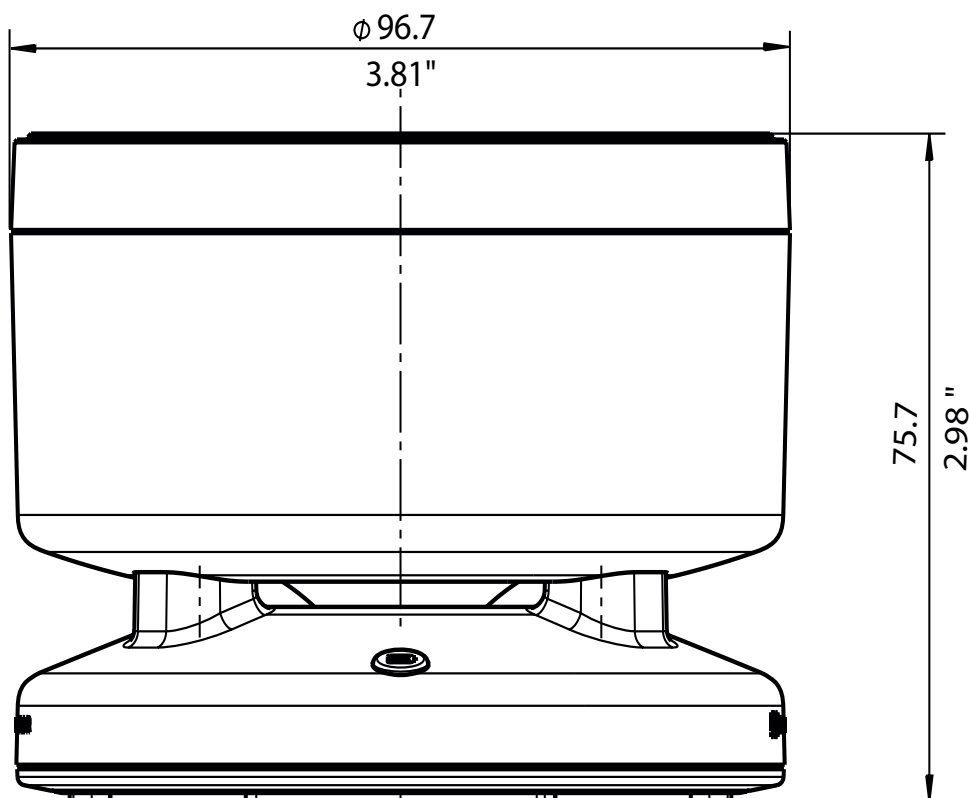
Satellites & Case		Rechargeable battery BA 100	Lithium Ion; Input power Case: 3.7 V DC TC-W Master via USB: 5 V/max. 500 mA
Dimensions		Charging time	up to 10 h
Satellite(s) (Ø x H)	approx. 97 mm x 76 mm (3.82" x 2.99")	Operating temperature	+5 °C to +45 °C (+41 °F to +113 °F)
Case (W x H x D)	approx. 280 x 110 x 39 mm (11.02" x 4.33" x 1.54")	Storage temperature	-20 °C to +55 °C (-4 °F to +131 °F)
Weight		Relative humidity	20 - 80%, non-condensing
Satellite	449 g incl. battery pack (0.99 lbs)	Power supply	
Case	approx. 2,700 g (5.95 lbs)	Input voltage	100 - 240 V AC
Complete Set	approx. 4,700 g (10.36 lbs)	Mains frequency	50 - 60 Hz
Speaker frequency response	200 - 9,000 Hz	Output voltage	12 V DC
Microphone frequency response	200 - 12,000 Hz	Output current	max. 1.0 A
Sockets master satellite	2.5 mm socket Micro USB socket	Energy efficiency	DOE Level VI
Connection cable	Micro USB type B to USB type A cable 2.5 mm to 3.5 mm jack cable	Operating temperature	0 °C to +45 °C (+32 °F to +113 °F)
Bluetooth	version 4.2 / class 1 Profiles HSP (v1.2), HFP (v1.6), A2DP (v1.3) Frequency Range: 2.4 GHz	Storage temperature	-20 °C to +70 °C (-4 °F to +158 °F)
Max. range	Bluetooth (Master to smart device) approx. 10 m DECT (Master to Satellite) approx. 20 m	Relative humidity	max. 90%, non-condensing
RF frequency ranges	EU: 1,880 to 1,900 MHz USA: 1,920 to 1,930 MHz South America: 1,910 to 1,920 MHz Japan: 1,893 to 1,906 MHz		
RF output power	max. 100 mW (EIRP)		
Operating time	up to 8 hours		

DELIVERY INCLUDES

- 1 TC-W Master
- 3 TC-W Satellite
- 1 TC-W Case (Transport and Charging)
- 4 BA 100 Battery
- 1 NT 12-10 BW DC Power supply
- 1 Micro USB type B to USB type A cable
- 1 2.5 mm to 3.5 mm jack cable
- 1 User manual
- 1 Safety Instructions
- 1 Safety Instructions NT 12-10 BW

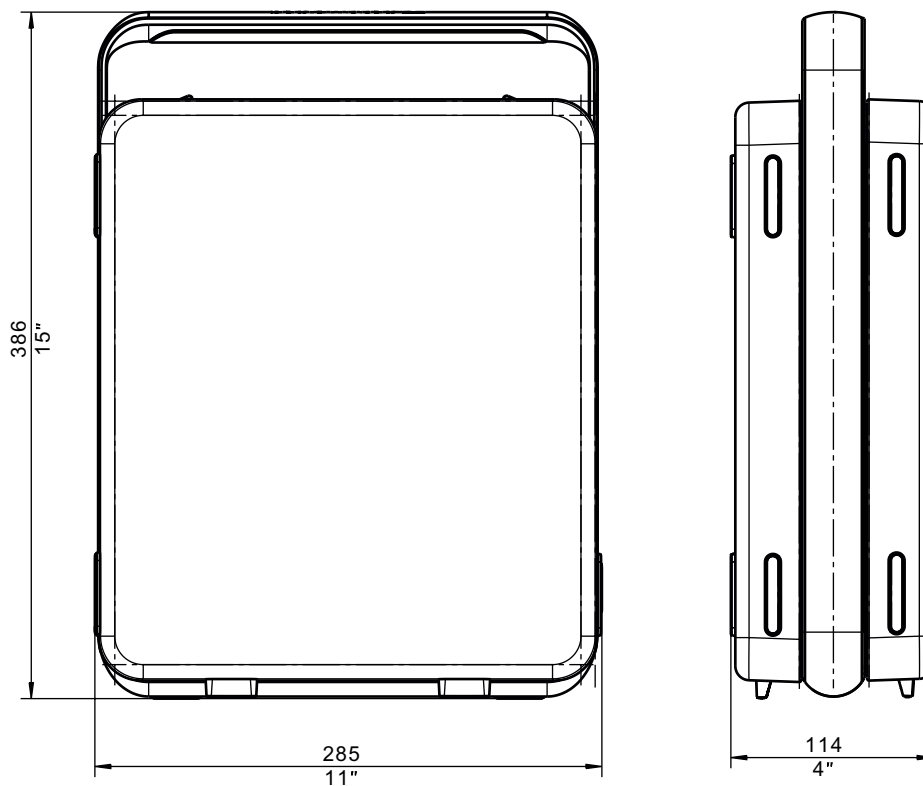
DIMENSIONS

TC-W Satellites



DIMENSIONS

TC-W Case



ACCESSORIES

TC-W Jack Cable	Art. No.	506682
TC-W Telephone Cable	Art. No.	506683
TC-W USB Cable	Art. No.	506684
NT 12-10 BW	Art.No.	506728
TC-W Case	Art. No.	506685

PRODUCT VARIANTS

TC-W Case Set EU	Art. No.	506686
TC-W Case Set US	Art. No.	506687
TC-W Case Set JP	Art. No.	506689
TC-W Case Set SA	Art. No.	506690