

Passive PoE™

SIMPLE WAY OF PROVIDING POWER ON THE ROOF

Passive PoE™ Set enables to merge the power supply and data to one ethernet cable, supply them to the devices and split back to data and power.



Passive PoE™ is a simple way of providing power for an access point on the roof. Passive PoE™ uses free wires in the Ethernet cable and sends the equipments power along them to the far end. Over a short distance, its usually possible to use the power adapter supplied as standard with the access point or with other network elements which we wish to connect along the Ethernet cable. If the loss of the voltage on the wiring along longer lengths of Ethernet cable is too high, it is possible to use another more powerful power adapter, to eliminate this loss of voltage.

TECHNICAL DATA

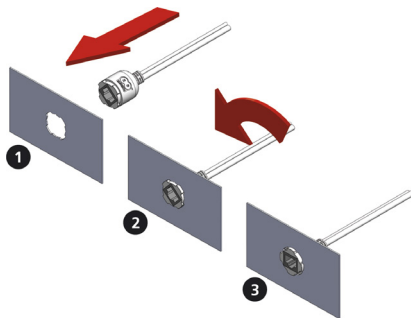
Set 5,5x2,1 (Standard)

Weight	0.06 Kg / 0.13 lbs – single set incl. package 14.5 Kg / 31.9 lbs – carton (200 sets)
Single Unit	Plastic Bag: 31 × 10 × 1,2 cm
200 Units	Carton Box: 46 × 30 × 25 cm
Product ID	POESETv2

Injector 5,5x2,1 (Standard)

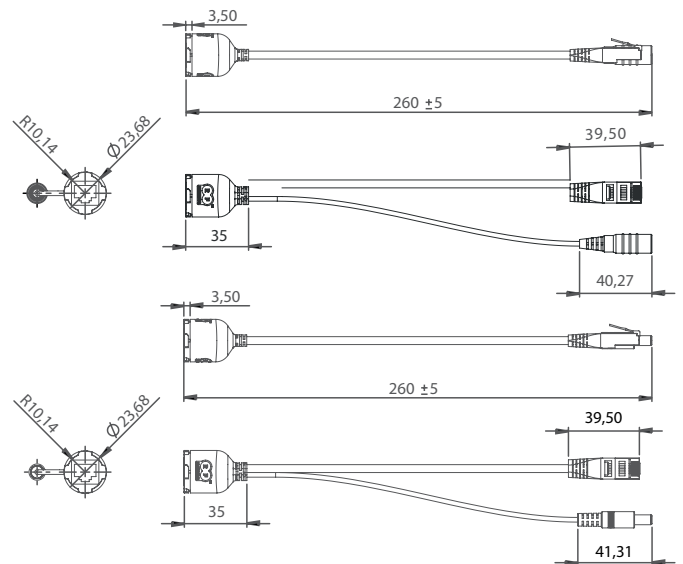
Weight	0.06 Kg / 0.13 lbs – single piece incl. package 14.5 Kg / 31.9 lbs – carton (400 pcs)
Single Unit	Plastic Bag: 31 × 10 × 1,2 cm
200 Units	Carton Box: 46 × 30 × 25 cm
Product ID	POEINJv2

BULKHEAD MOUNT FEATURE



1. Insert PoE into the cut-out as shown on picture.
2. Rotate PoE for about 45 degrees.
3. Installation is completed.

PRODUCT DIMENSIONS



CONNECTION LAYOUT

