

BRACKET | BRKT-039

BRKT-039

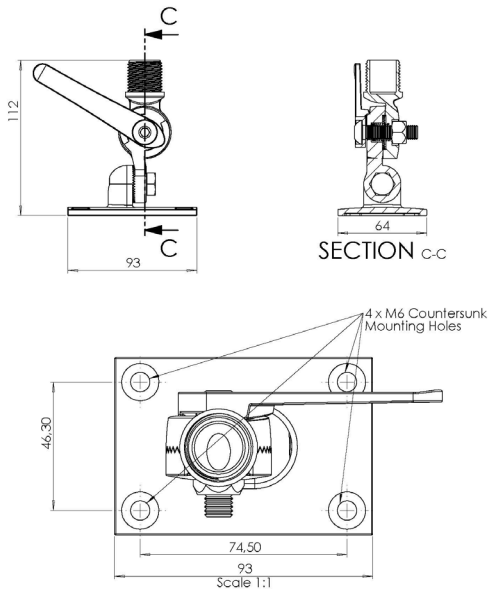
HEAVY DUTY MARINE MOUNT ANTENNA BRACKET 1"-14T 316 S/S



Ordering Information

Commercial name:	BRKT-039
Order Product Code:	A-BRKT-039
EAN Number:	0707273469168

Product Drawings



Mechanical Specifications

Product Dimensions (L x W x H):	93 x 64 x 112mm
Packaged Dimensions:	150 x 120 x 120mm
Weight:	0.563kg
Packaged Weight:	0.655kg
Antenna mounting thread:	Standard 1" x 14 threads
Mounting hole:	M6 Countersunk
Material:	316 Grade stainless steel mount

Product Box Contents

Product:	A-BRKT-039
Mounting:	Deck or side mounting

Certification Approvals and Standards

Flammability rating:	UL:1581
IK Code:	IK08
Product Safety:	Complies with UL, CE, EN, CSA and IEC standards

