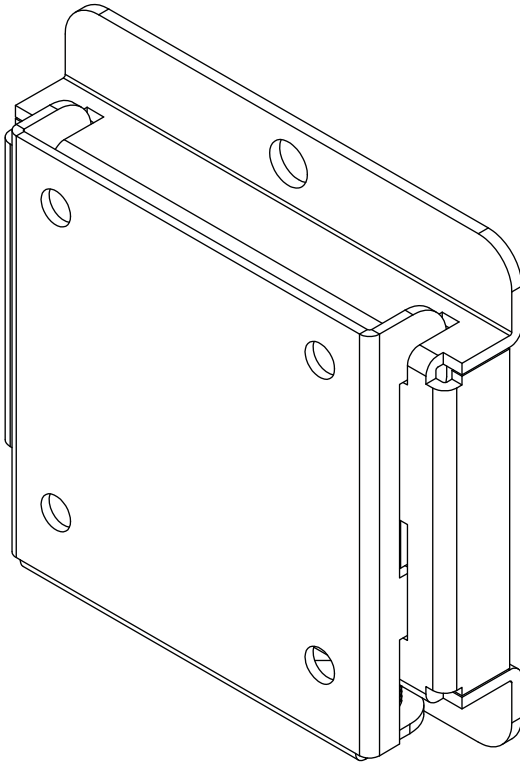


## MIS164F For Samsung DBD10



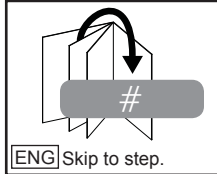
## ⚠ WARNING

ENG - This product is designed to be installed on wood stud, solid concrete or cinder block walls. Hardware is included for wood stud, solid concrete and cinder block installation. Before installing make sure the supporting surface will support the combined load of the equipment and hardware. Screws must be tightly secured. Do not overtighten screws or damage can occur and product may fail. Never exceed the Maximum Load Capacity. Always use an assistant or mechanical lifting equipment to safely lift and position equipment. This product is intended for indoor use only. Use of this product outdoors could lead to product failure or personal injury. Be careful not to pinch fingers when operating the mount. For support please call customer care at 1-800-865-2112.

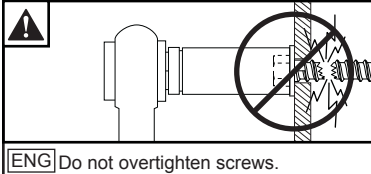
### ENG Symbols



ENG WARNING

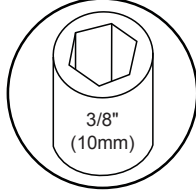
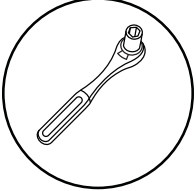
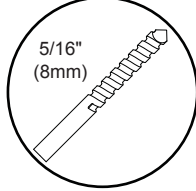
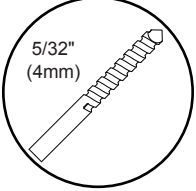
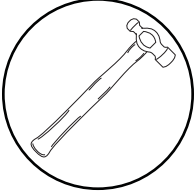
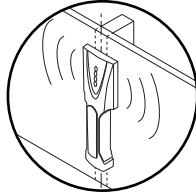
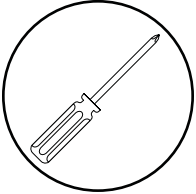
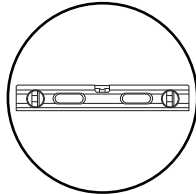
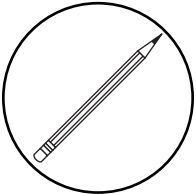


ENG Skip to step.



ENG Do not overtighten screws.

### ENG Tools Needed for Assembly.

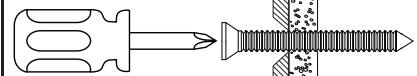


ENG Screws must get at least three full turns and fit snug.

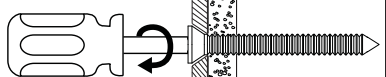


ENG To properly tighten screws: Tighten until screw head makes contact, then tighten another 1/2 turn. Do not overtighten screws.

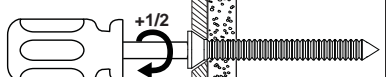
1



2



3



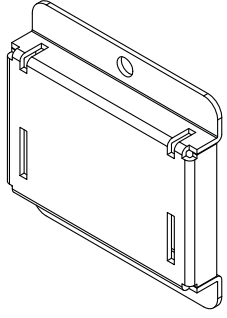
4



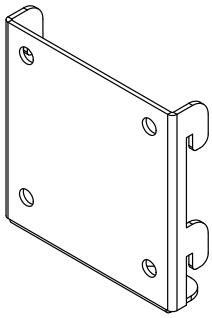
**ENG** Parts (Before beginning, make sure you have all parts shown below).

<b>Parts List</b>		
Description	Qty	Part #
A wall plate	1	125-1533
B adapter bracket	1	125-1534
C M4 x 8mm serrated washer head socket pin screw	4	510-1005
D concrete anchor	2	590-0320
E #14 x 2.5" wood screw	2	5S1-015-C03
F M5 x 10mm serrated washer head socket pin screw	2	510-1126
G allen wrench	1	560-9646

**A (1)**  
wall plate



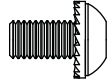
**B (1)**  
adapter bracket



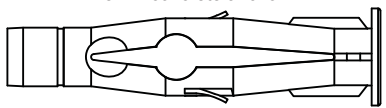
**C (4)**  
M4 x 8mm



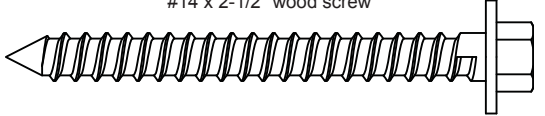
**F (2)**  
M5 x 10mm



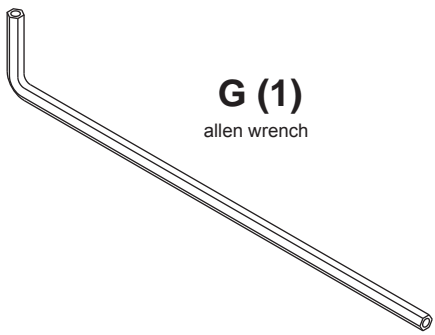
**D (2)**  
8mm concrete anchor



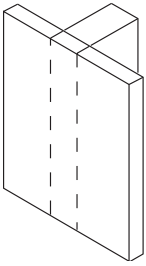
**E (2)**  
#14 x 2-1/2" wood screw



**G (1)**  
allen wrench



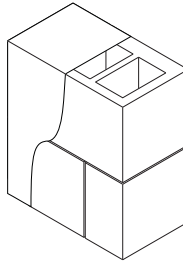
1



ENG	Wood stud wall.
ESP	Pared de madera.
FRN	Mur en bois.
DEU	Holzwand.
NEL	Houten muur.
ITL	Parete di legno.
ČEŠ	Dřevěná stěna.
SLK	Drevená stena.
POR	Parede de madeira.
TÜR	Ahşap duvar.



1a



ENG	Concrete/Cinder block.
ESP	Concreto/Bloque de hormigón.
FRN	Béton/bloc de béton.
DEU	Beton/Porenbetonstein.
NEL	Beton/B2-blokken.
ITL	Calcestruzzo solido/forato.
ČEŠ	Betonový/škvárový blok.
SLK	Betónový/škvarový blok.
POR	Betão/bloco de cimento.
TÜR	Beton/Briket.



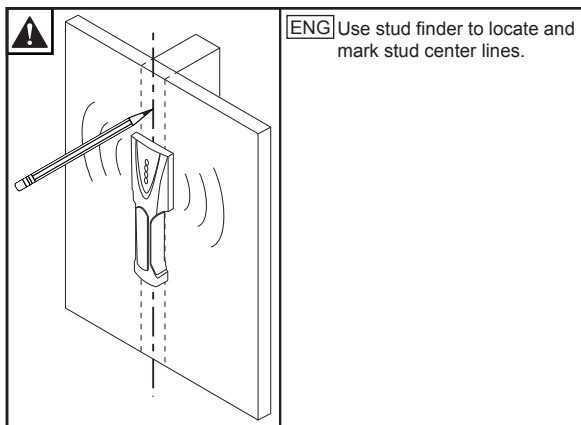
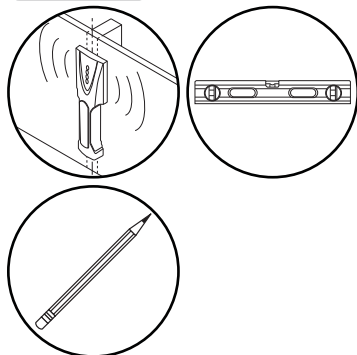
1b

1a

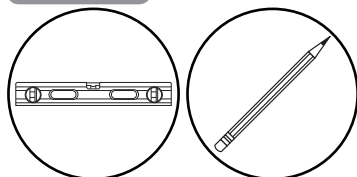
### ▲ WARNING

ENG - When installing Peerless wall mounts on a wood stud wall covered with gypsum board (drywall), verify that the wood studs are a minimum of 2" x 4" nominal size. Do not install over gypsum board thicker than 5/8".

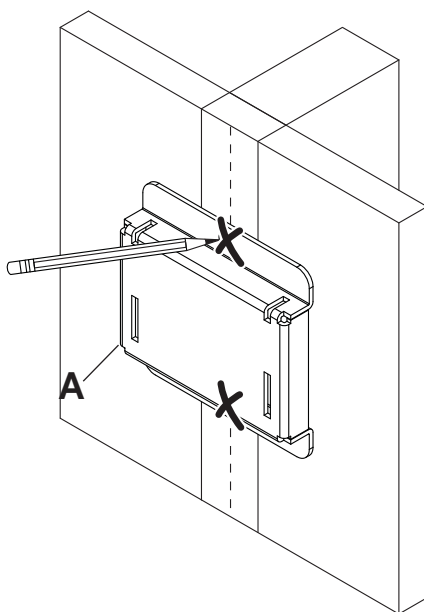
1a-1



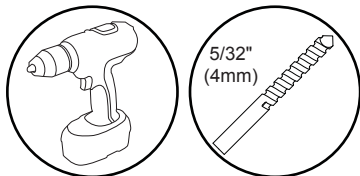
1a-2



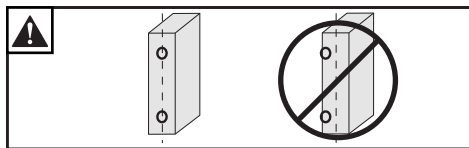
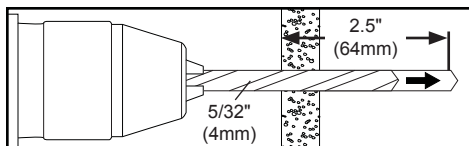
**ENG** Level wallplate. Mark mounting holes on stud center lines.



### 1a-3



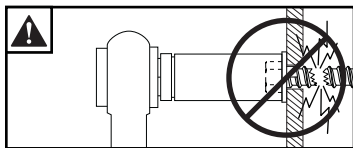
**ENG** Drill mounting holes into supporting surface (2.5" (64mm) minimum depth required).



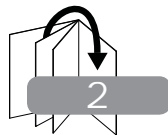
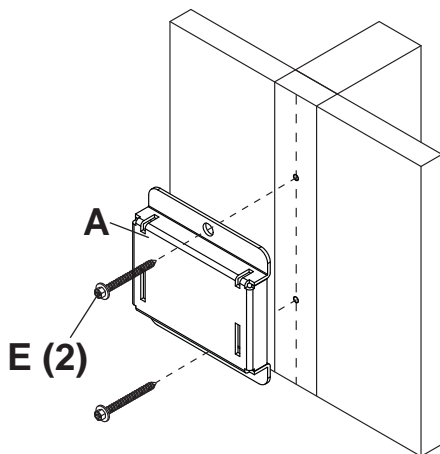
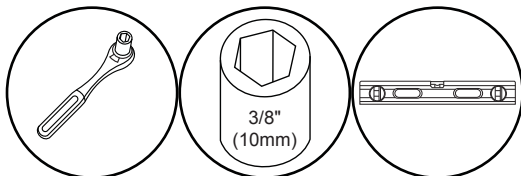
**ENG** Mounting hole must center on stud.

### 1a-4

**ENG** Level wallplate. Install using wood screws provided.



**ENG** Maximum 80 in. • lb (9 N.M.).

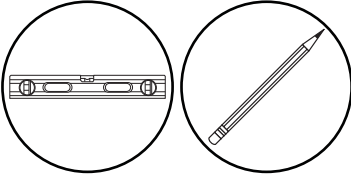


# 1b

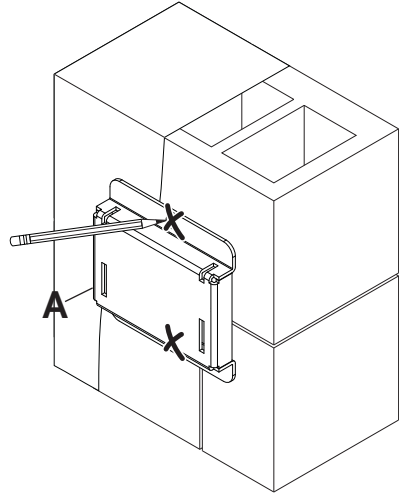
## ▲ WARNING

ENG - When installing Peerless wall mounts on a concrete wall, the wall must be at least 8" thick with a minimum compressive strength of 2000 psi. When installing Peerless wall mounts on a cinder block wall, the cinder blocks must meet ASTM C-90 specifications and have a minimum nominal width of 8". Do not drill into mortar joints! Be sure to mount in a solid part of the block, generally 1" (25 mm) minimum from the side of the block. It is suggested that a standard electric drill on slow setting is used to drill the hole instead of a hammer drill to avoid breaking out the back of the hole when entering a void or cavity. Never attach concrete expansion anchors to concrete or cinder block covered with plaster, drywall or other finishing material.

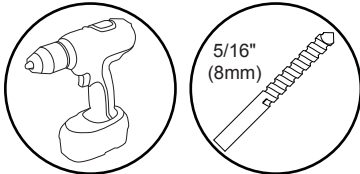
### 1b-1



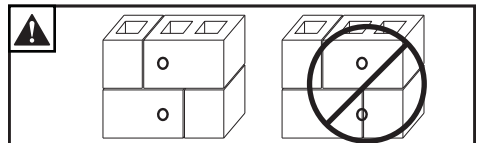
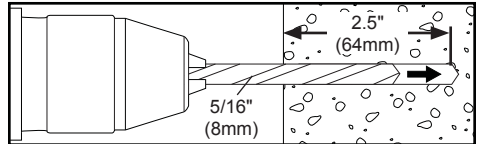
ENG Level wallplate. Mark mounting holes.



### 1b-2

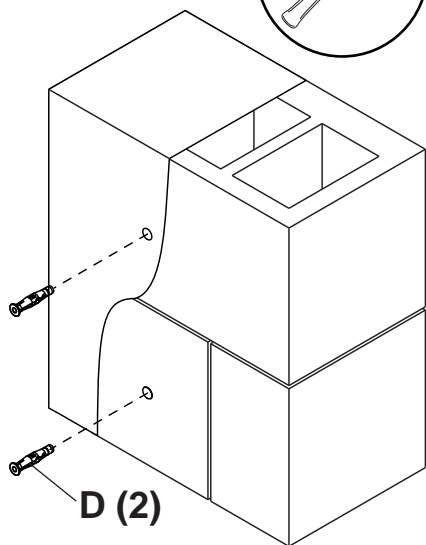
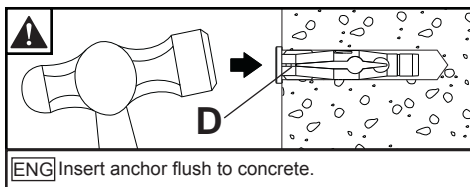
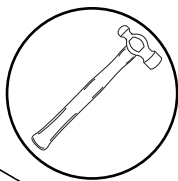


ENG Drill mounting holes into supporting surface (2.5" (64mm) minimum depth required).



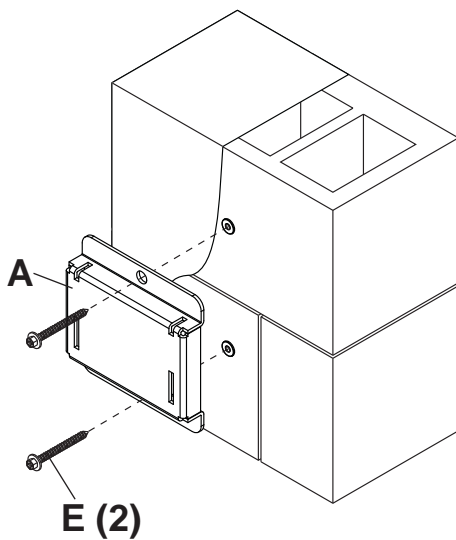
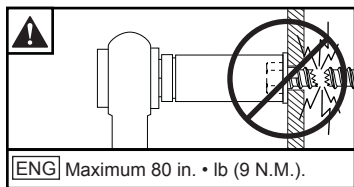
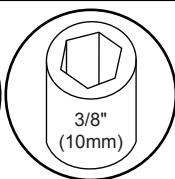
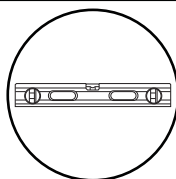
ENG Do not drill into mortar joints.

### 1b-3



### 1b-4

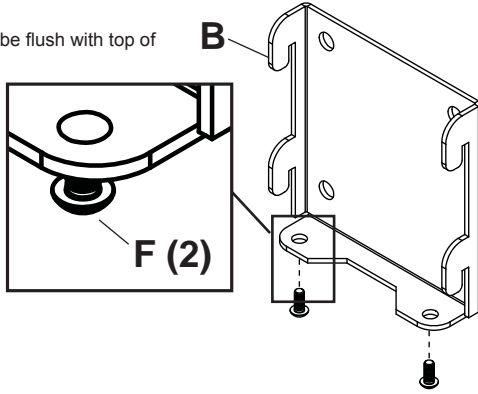
**ENG** Level wallplate. Install using concrete anchors and wood screws provided.



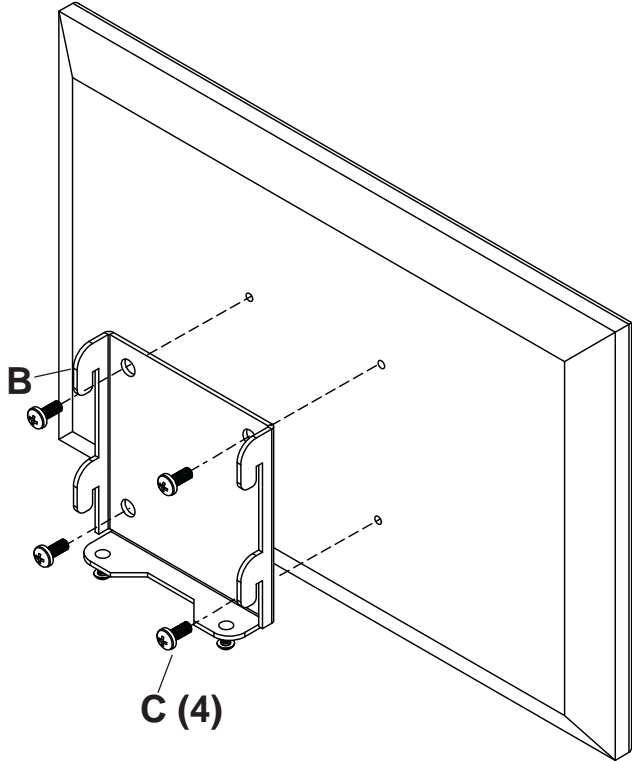


2

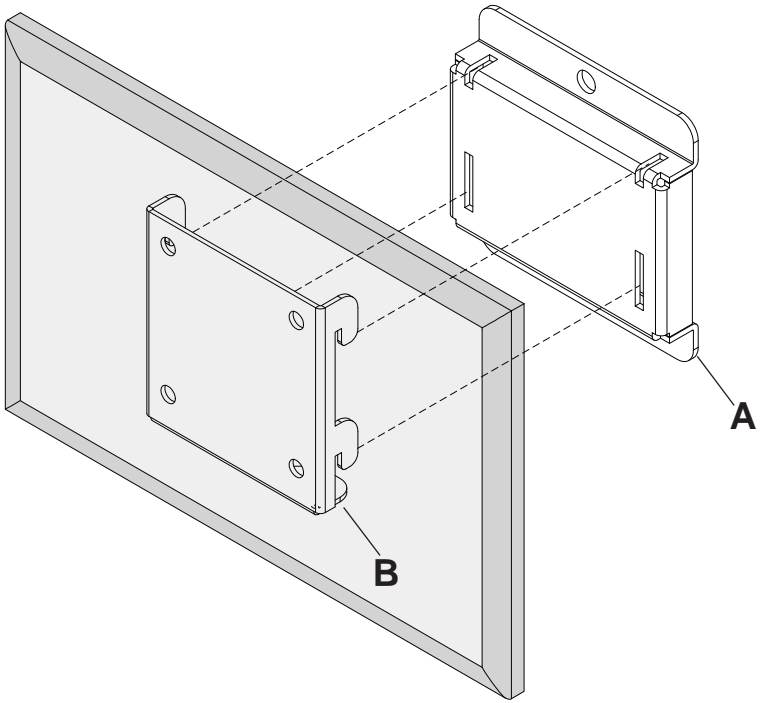
**ENG** NOTE: Screws should be flush with top of hole as shown below.



3

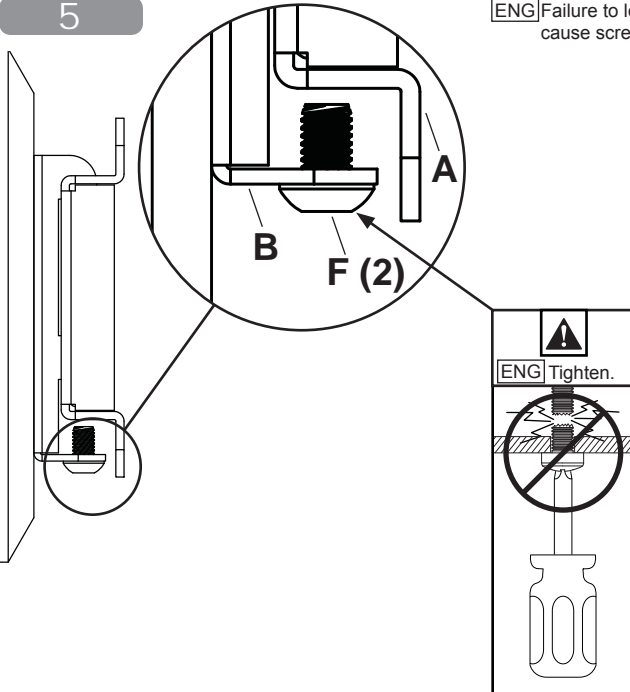


4



5

**ENG** Failure to lock hook bracket with screw can cause screen to come off mount if hit accidentally.



ENG This page was intentionally left blank.

## LIMITED FIVE-YEAR WARRANTY

Peerless Industries, Inc. ("Peerless") warrants to original end-users of Peerless® products will be free from defects in material and workmanship, under normal use, for a period of five years from the date of purchase by the original end-user (but in no case longer than six years after the date of the product's manufacture). At its option, Peerless will repair or replace, or refund the purchase price of, any product which fails to conform with this warranty.

**In no event shall the duration of any implied warranty of merchantability or fitness for a particular purpose be longer than the period of the applicable express warranty set forth above.** Some states do not allow limitations on how long a implied warranty lasts, so the above limitation may not apply to you.

This warranty does not cover damage caused by (a) service or repairs by the customer or a person who is not authorized for such service or repairs by Peerless, (b) the failure to utilize proper packing when returning the product, (c) incorrect installation or the failure to follow Peerless' instructions or warnings when installing, using or storing the product, or (d) misuse or accident, in transit or otherwise, including in cases of third party actions and force majeure.

**In no event shall Peerless be liable for incidental or consequential damages or damages arising from the theft of any product, whether or not secured by a security device which may be included with the Peerless® product.** Some states do not allow the exclusion or limitation of incidental or consequential damages, so the above limitation or exclusion may not apply to you.

This warranty is in lieu of all other warranties, expressed or implied, and is the sole remedy with respect to product defects. No dealer, distributor, installer or other person is authorized to modify or extend this Limited Warranty or impose any obligation on Peerless in connection with the sale of any Peerless® product.

This warranty gives specific legal rights, and you may also have other rights which vary from state to state.

The logo for Peerless-AV features the word "peerless" in a bold, lowercase, red sans-serif font. To its right, the letters "AV" are rendered in a red outline font, with a registered trademark symbol (®) to the upper right of the "V".

**Peerless-AV**  
2300 White Oak Circle  
Aurora, IL 60502  
Email: [tech@peerlessmounts.com](mailto:tech@peerlessmounts.com)  
Ph: (800) 865-2112  
Fax: (800) 359-6500  
[www.peerless-av.com](http://www.peerless-av.com)

**Peerless-AV Europe**  
Unit 3 Watford Interchange,  
Colonial Way, Watford, Herts,  
WD24 4WP, United Kingdom  
Customer Care  
44 (0) 1923 200 100  
[www.peerless-av.com](http://www.peerless-av.com)

**Peerless-AV de Mexico**  
Ave de las Industrias 413  
Parque Industrial Escobedo  
Escobedo N.L Mexico 66050  
Servicio al Cliente  
01-800-849-65-77  
[www.peerless-av.com](http://www.peerless-av.com)