

# Vari-Focal (2.7 - 13.5mm)

## YV5x2.7R4B-SA2

5x Applicable camera (mode) 1 2/3 1/2 1/3 1/4 For Security

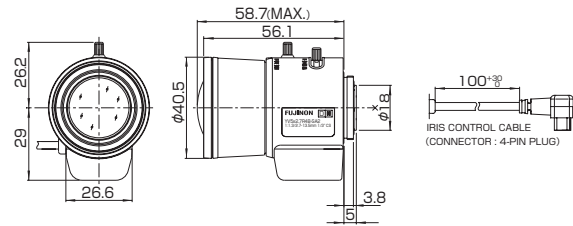


Day  
Night

Vari-Focal Wide Angle Telephoto Long Focal DC Auto Iris CS Mount Metal Mount ND Filter Long Cable Aspherical Lens Large Aperture Ratio

**VARI** **WIDE** **TELE** **DC** **CS-mt** **METAL** **ND** **230** **AT** **F1.3**

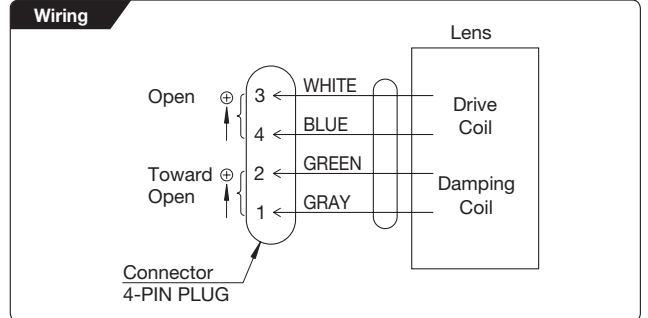
RoHS  
Compliant  
**RoHS**



Unit : mm

### YV5x2.7R4B-SA2

Focal Length (mm)		2.7 - 13.5(5x)	
Iris Range		F1.3 - T360(Equivalent to F360)	
Operation	Zoom	Manual	
	Focus	Manual	
	Iris	Auto (DC type)*1	
Angle Of View (HxV)	1/3"	WIDE	99°42' x 74°17'
		TELE	20°37' x 15°30'
	1/4"	WIDE	74°17' x 55°26'
		TELE	15°30' x 11°38'
Focusing Range (From Front Of The Lens) (m)		∞ - 0.3	
Object Dimensions at M.O.D. (HxV) (mm)	1/3"	WIDE	741 x 473
		TELE	115 x 86
	1/4"	WIDE	473 x 328
		TELE	86 x 64
Back Focal Distance (in air) (mm)		8.91	
Exit Pupil Position (From Image Plane) (mm)		96	
Filter Thread (mm)		-	
Mount		CS	
Mass (g)		70	
Coil Resistance		Drive Coil	190Ω
		Damping Coil	500Ω
Current Consumption		23mA(Max.) at DC 4V	
Remarks		<ul style="list-style-type: none"> <li>•With Metal Mount</li> <li>(*1) The iris automatically closes when the camera is turned off.</li> <li>YV5x2.7R4B-2 : Manual Iris Type</li> <li>YV5x2.7R4B-SA2L : Long Cable Type(230mm)</li> </ul>	



### [Lens Image]

