

# Quick Start

## Powerline 1200 + Extra Outlet

Model PLP1200



**NETGEAR®**

# Package Contents

In some regions, a resource CD is included with your product.

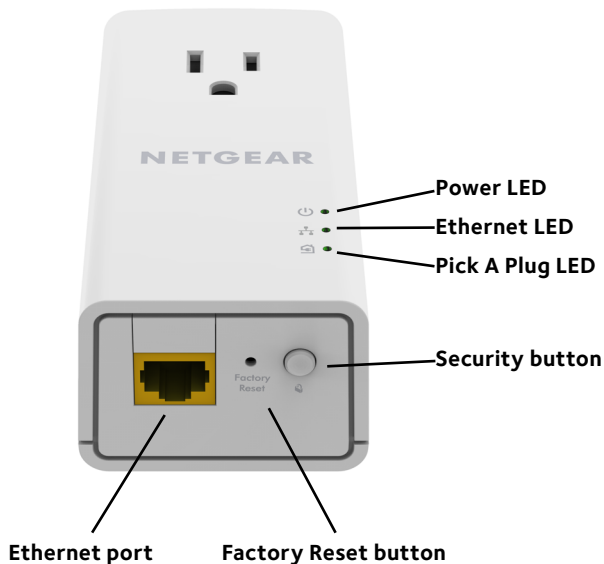


## Getting Started

Powerline adapters provide an alternative way to extend your network using your existing electrical wiring. Plug 2 or more Powerline adapters into electrical outlets to create a wired network connection. You can add up to 16 Homeplug AV-certified and AV2-certified adapters to extend your network. For a complete list of Homeplug AV-certified devices, visit [http://www.homeplug.org/certified\\_products](http://www.homeplug.org/certified_products).

## Meet Your Adapter

Before you install your adapter, familiarize yourself with its LEDs, buttons, and port.



Power LED



**Green.** The electrical power is on.

**Amber.** The adapter is in power saving mode.

**Blinking green.** The adapter is in the process of setting up security.

**Off.** The adapter is not receiving electrical power.

Ethernet LED



**Lit.** The Ethernet port is linked.

**Off.** No Ethernet connection is detected.

Pick A Plug LED



The Pick A Plug feature lets you pick the electrical outlet with the strongest performance, indicated by the color displayed by the LED:

**Red.** Link rate < 50 Mbps (good).

**Amber.** Link rate > 50 and < 80 Mbps (better).

**Green.** Link rate > 80 Mbps (best).

**Off.** The adapter did not find any other compatible Powerline devices using the same encryption key.

Factory Reset  
button

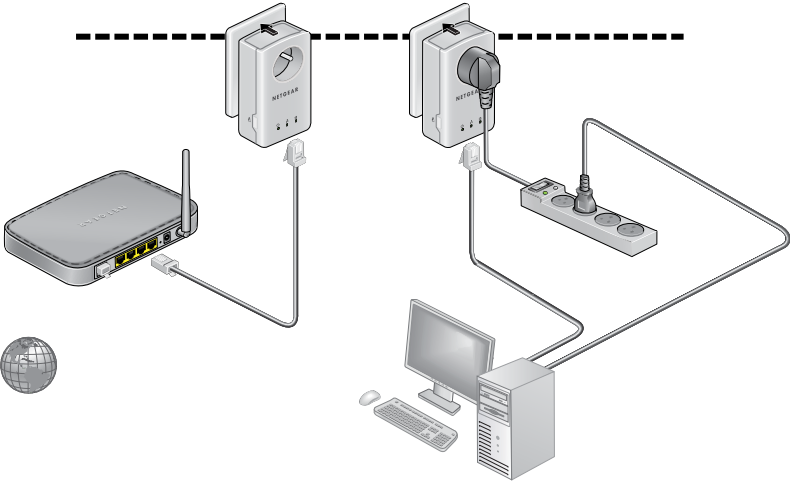
Press the **Factory Reset** button for one second, then release it to return the Powerline adapter to its factory default settings.

- Ethernet port      Use an Ethernet cable to connect your wired devices, including computers, WiFi routers, or game consoles, to your Powerline network.
- Security button    Use the **Security** button to create a secure Powerline network.

# Install Your Adapters

Room 1

Room 2



## Secure Your Network

### ➤ To create a secure network:

1. Plug in your new adapters.
2. Wait until the Pick A Plug LEDs are blinking.
3. Press the **Security** button on one of the adapters for two seconds, then press the **Security** button on one of the other adapters in your existing network for two seconds.

Both buttons must be pressed within two minutes.

4. If you are installing additional adapters, repeat Step 3 with one of the secure adapters and one of the adapters that is not yet secured.

**Note:** The **Security** button does not work in power saving mode (see *Troubleshooting Tips* on page 10).

**Warning:** Do not press the **Security** button on the Powerline adapter until installation is complete and the adapters are communicating with each other (indicated by the blinking Power LED). Pressing this button too soon can temporarily disable Powerline communication. If this occurs, use the **Factory Reset** button to return the Powerline adapter to its factory default settings.



## Add Adapters

To add adapters before you configure the security feature, just plug them in and connect the adapters to your equipment.

### ➤ To add adapters to a Powerline network with security set:

1. Plug in and connect the new adapters.
2. On any of the adapters that are already a part of the secure network, press and hold the **Security** button for two seconds.
3. On the new adapter, press and hold the **Security** button for two seconds.

Both buttons must be pressed within two minutes.

# Troubleshooting Tips

- |                              |                                                                                                                                                                                                                                                                                                                                                                                                                         |
|------------------------------|-------------------------------------------------------------------------------------------------------------------------------------------------------------------------------------------------------------------------------------------------------------------------------------------------------------------------------------------------------------------------------------------------------------------------|
| Power LED is off.            | Make sure that power is supplied to the electrical outlet, and that the Powerline devices are not plugged into an extension cord, power strip, or surge protector.                                                                                                                                                                                                                                                      |
| Power LED is blinking amber. | Power saving mode occurs when the Ethernet LED is off. This can occur in the following circumstances: <ul data-bbox="352 352 938 549" style="list-style-type: none"><li>• The Ethernet cable is unplugged.</li><li>• The device connected through the Ethernet cable is turned off.</li><li>• The adapter is idle for 10 minutes. It returns to normal mode within two seconds after the Ethernet link is up.</li></ul> |
| Pick A Plug LED is off.      | <ul data-bbox="352 559 938 784" style="list-style-type: none"><li>• If you already set network security, make sure that all Powerline devices are using the same encryption key. See the online user manual for details.</li><li>• Press the <b>Factory Reset</b> button on each device for one second to return the Powerline adapter to its factory default settings.</li></ul>                                       |

Pick A Plug LED is amber or red.

Something is interfering with communication between adapters. To resolve this, do the following:

- Move the adapter to another outlet.
- Unplug devices that might be causing interference such as surge suppressors and items with motors.
- Make sure that the Ethernet cables are working and securely plugged into the devices.
- Press the **Factory Reset** button on each device for one second to return the Powerline adapter to its factory default settings.

Ethernet LED is off.

## Support

Thank you for purchasing this NETGEAR product. After installing your device, locate the serial number on the label of your product and use it to register your product at <https://my.netgear.com>. You must register your product before you can use NETGEAR telephone support. NETGEAR recommends registering your product through the NETGEAR website.

For product updates and web support, visit <http://support.netgear.com>.

NETGEAR recommends that you use only the official NETGEAR support resources. You can get the user manual online at <http://downloadcenter.netgear.com> or through a link in the product's user interface.

## Trademarks

© NETGEAR, Inc., NETGEAR and the NETGEAR Logo are trademarks of NETGEAR, Inc. Any non-NETGEAR trademarks are used for reference purposes only.

## Compliance

For the current EU Declaration of Conformity, visit [http://support.netgear.com/app/answers/detail/a\\_id/11621/](http://support.netgear.com/app/answers/detail/a_id/11621/).

For regulatory compliance information, visit <http://www.netgear.com/about/regulatory/>.

See the regulatory compliance document before connecting the power supply.



201-19271-01

May 2015

**NETGEAR, Inc.**

350 East Plumeria Drive  
San Jose, CA 95134, USA