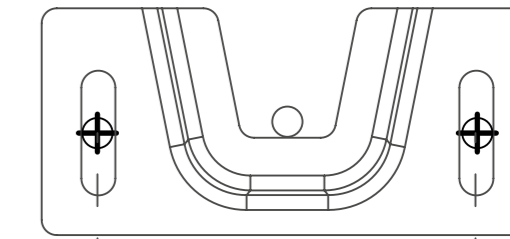
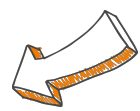


50 mm

750 mm



50 mm



See other side for
Installation Guide

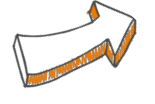
Center Line

1:1 Neets Sound Bar - SB1 Drilling Template



Installation Guide

Neets Sound Bar - SB1™

See other side for Drilling Template 

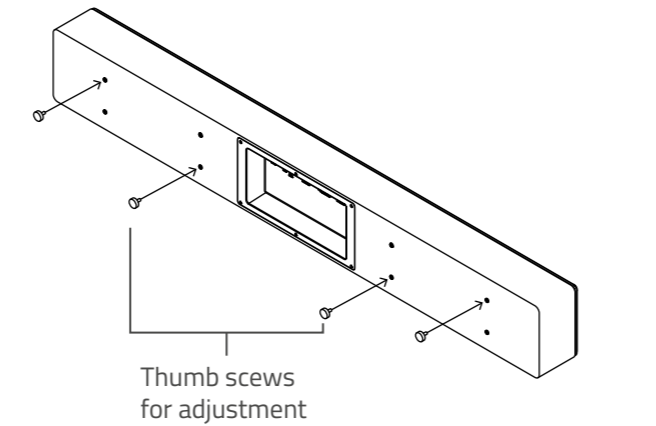
1 Mounting

Wall

Use the drilling template on the back side of the installation guide to mark the correct position of the brackets.

Mount the brackets onto the wall. Then screw the four thumb screws included in the box into the Sound Bar. See drawing for correct placement.

Place the Sound Bar on the brackets and adjust the two thumb screws (marked on the drawing) for correct spacing to the wall.



Table

Mount the four rubber feet at each corner of the bottom of the Sound Bar. Place the Sound Bar on any even surface.

2 Connecting

Auto On/Off

Position the slide switch in the connector panel on the back side of the Sound Bar to "Auto On/Off". Then connect input and power cables.

RS-232

Position the slide switch in the connector panel on the back side of the Sound Bar to "RS-232". Then connect input and power cables.

For further details on configuration of RS-232 see manual at [neets.dk](http://www.neets.dk)
<http://www.neets.dk/products/sound-bars/166#Resources>

Connector Panel

