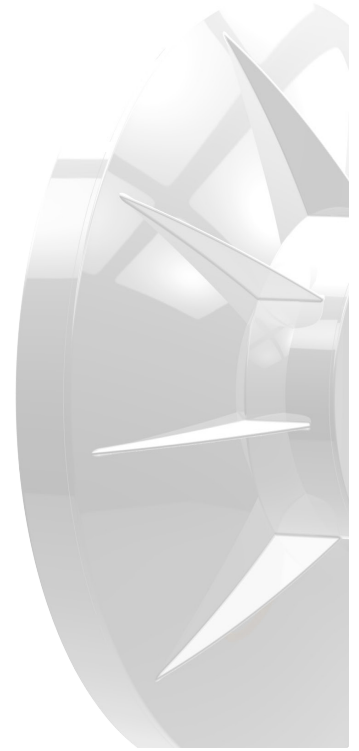


*mimosa*

B5-Lite



## Fast. Affordable. Easy.

Switch to the award-winning Mimosa B5-Lite, the easiest, fastest and most affordable wireless bridge kit on the market. This backhaul radio is ideal for connecting large properties, co-located office buildings, hospital buildings or campuses. No fiber in your future? No problem - the B5-Lite is a great short range fiber-digging alternative. Public safety providers can also take advantage of the licensed 4.9 GHz safety band and easily deploy the B5-Lite for an immediate backhaul boost.

The B5-Lite is a fantastic addition to any network. Make the change today and discover blazing backhaul.

### Superior Performance

Our speeds will blow you away. With up to 750 Mbps and under 1 ms of latency, high performance has never been this affordable.

### Monitor with Ease

Assessing link health and identifying potential problems is easy. Links are instantly monitored by our Mimosa Cloud service with rich data collection and analysis.

### Rugged and Affordable

Extreme outdoor conditions have nothing on the B5-Lite. The B5-Lite handles huge fluctuations with incredible affordability.

### Just Mount and Go

Connect quickly with our complete kit including super compact integrated antennas and wall mounts. Includes optional pole mounting kit.

## Technical Specifications

### Performance

- **Max Throughput:** 750+ Mbps
- **Low Latency:** Configurable to 5ms+
- **Wireless Protocols:** Auto-TDD/TDMA

### Radio

- **MIMO & Modulation:** 2x2:2 MIMO OFDM up to 256 QAM
- **Bandwidth†:** 20/40/80 MHz channels tunable to 5 MHz increments
- **Frequency Range:** 4900-6000 MHz restricted by country of operation (\*new\* US/FCC 5600-5650 support)
- **Max Output Power:** 23 dBm
- **Sensitivity ( MCS 0 ):**
  - 87 dBm @ 80 MHz
  - 90 dBm @ 40 MHz
  - 93 dBm @ 20 MHz

### Antenna

- **Gain:** 20 dBi
- **Beamwidth ( 3dB ):** 14° (azimuth and elevation)
- **Cross-Polar Isolation:** >20 dB
- **Polarization:** Dual 45° slant polarization

### Power

- **Max Power Consumption:** 15W
- **System Power Method:** 802.3at compliant
- **PoE Power Supply:** Passive POE compliant, 48-56 V Power over Ethernet supply with IEC61000-4-5 surge protection

### Physical

- **Dimensions:**
  - Width: 153.31 mm (6.04")
  - Diameter: 260.33 mm (10.25")
- **Weight:** 0.72 Kg (1lbs 9oz)
- **Enclosure Characteristics:** Outdoor UV stabilized plastic
- **Wind Survivability:** 200 km/h (125 mph)
- **Wind Loading:** 39 kg @ 160 km/h

(86 lbs @ 100 mph)

- **Mounting:** Single pole strap feed point integrated into plastic back plate with integrated curvature for contact with mounting poles. Azimuth and Elevation adjustability only provided via J-mount elevation adjustment and hose clamp loosened rotation on the pole.

### Environmental

- **Outdoor Ingress Protection Rating:** IP55
- **Operating Temperature:** -40°C to +55°C (-40°F to 131°F)
- **Operating Humidity:** 5 to 100% condensing
- **Operating Altitude:** 4420 m (14500') maximum
- **Shock & Vibration:** ETS 300-019-2-4 class 4M5

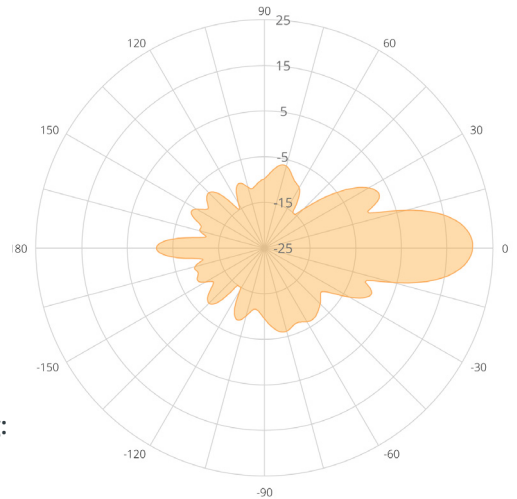
### Features

- **Gigabit Ethernet:** 10/100/1000-BASE-T
- **Management Services:** Mimosa cloud monitoring and management SNMPv2 & Syslog legacy monitoring HTTPS HTML 5 based Web UI
- **Smart Spectrum Management:** Active scan monitors/logs ongoing RF interference across channels (no service impact) Dynamic auto-optimization of channel and bandwidth use
- **Security:** WPA2 + Mimosa 802.1x Client
- **QoS:** Supports 4 pre-configured QoS levels

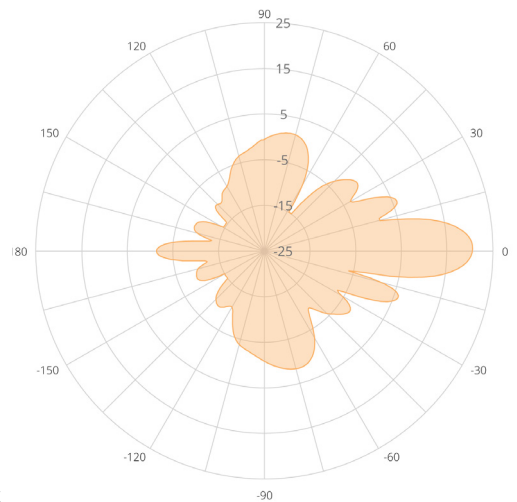
### Regulatory + Compliance

- **Approvals:** FCC Part 15.407 and Part 90Y, IC RS210, CE, ETSI 301 893/302 502
- **RoHS Compliance:** Yes
- **Safety:** UL/EC/EN/ 60950-1 + CSA-22.2

† 4.9 GHz uses 20 MHz channel widths only (US only, regulations vary by region)



B5-Lite Azimuth Polar Plot



B5-Lite Elevation Polar Plot