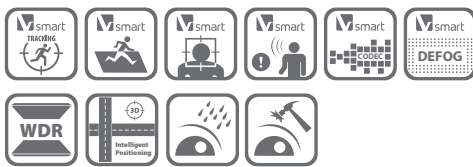


DS-2DF6223-AEL/36-AEL(B) 2MP 23/36X Network PTZ Dome Camera



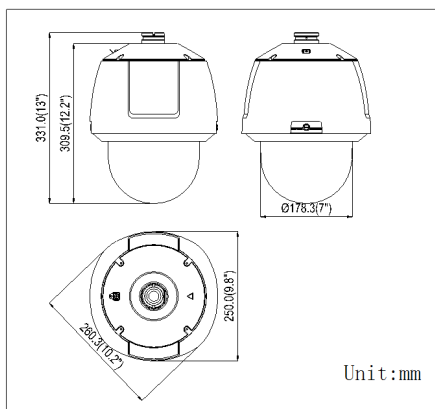
DARKFIGHTER



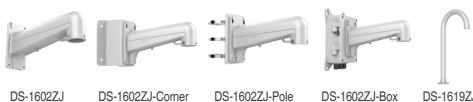
Key features

- 1/1.9" HD CMOS sensor
- 1920×1080 Full HD, 23/36X Optical Zoom
- Ultra-low illumination
- 120dB True WDR
- Smart Tracking
- Smart Detection
- EIS (Electronic Image Stabilization)
- High-PoE / 24VAC power supply
- Vandal proof (IK10)

Dimensions



Accessories



Available models

- DS-2DF6223-AEL, High-PoE / 24VAC, outdoor
- DS-2DF6236-AEL(B), High-PoE / 24VAC, outdoor

	DS-2DF6223-AEL	DS-2DF6236-AEL(B)
Camera Module		
Image Sensor	1/1.9" Progressive Scan CMOS	
Min. Illumination	F1.5, 1/1 sec, 50 IRE, AGC On: Color: 0.002 lux, B/W: 0.0002 lux F1.5, 1/30 sec, 50 IRE, AGC On: Color: 0.02 lux, B/W : 0.002 lux	
Max. Image Resolution	1920×1080	
Focal Length	5.9-135.7mm, 23x	4.5-162mm, 36x
Digital Zoom	16X	
Zoom Speed	Approx.4.4s(Optical Wide-Tele)	Approx.3.3s(Optical Wide-Tele)
Angle of View	59.8-3.0 degree (Wide-Tele)	60.6-3.68 degree (Wide-Tele)
Min. Working Distance	10-1500mm(Wide-Tele)	
Aperture Range	F1.5~F3.4	
Focus Mode	Auto / Semiautomatic / Manual	
WDR	120dB	
S / N Ratio	≥ 55dB	
Shutter Time	50Hz: 1~1/30,000s; 60Hz: 1~1/30,000s	
AGC	Auto / Manual	
White Balance	Auto / Manual /ATW/Indoor/Outdoor/Daylight lamp/Sodium lamp	
Day & Night	IR Cut Filter	
Privacy Mask	24 privacy masks programmable; optional multiple colors and mosaics	
Enhancement	3D DNR, EIS, Defog, HLC/BLC, SVC	
Pan and Tilt		
Range	Pan:360° endless; Tilt: -20°~90°(Auto Flip)	
Speed	Pan Manual Speed: 0.1°~300°/s, Pan Preset Speed: 540°/s Tilt Manual Speed: 0.1°~240°/s, Tilt Preset Speed: 400°/s	
Number of Preset	300	
Patrol	8 patrols, up to 32 presets per patrol	
Pattern	4 patterns, with the recording time not less than 10 minutes per pattern	
Park Action	Preset / Patrol / Pattern / Auto scan / Tilt scan / Random scan / Frame scan / Panorama scan	
Scheduled Task	Preset / Patrol / Pattern / Auto scan / Tilt scan / Random scan / Frame scan / Panorama scan/Dome reboot/Dome adjust/Aux output	
Smart Features		
Smart tracking	Manual/ Panorama/ Intrusion trigger/ Line crossing trigger/ Region entrance trigger/ Region exiting trigger	
Smart detection	Face detection, intrusion detection, line crossing detection, audio exception detection, region entrance, region exiting	
ROI encoding	Support 24 areas with adjustable levels	
Alarm		
Alarm I/O	7/2	
Alarm Trigger	Face detection, Intrusion detection, Line crossing detection, Region entrance, Region exiting, Audio exception detection, Motion detection, Audio Exception Detection, Dynamic analysis, Tampering alarm, Network disconnect, IP address conflict, Storage exception	
Alarm Action	Preset, Patrol, Pattern, Micro SD/SDHC card recording, Relay output, Notification on Client	
Input/Output		
Monitor Output	1.0V[p-p] / 75Ω, NTSC (or PAL) composite, BNC	
Audio Input	1 Mic in/Line in interface, line input: 2-2.4V[p-p]; output impedance: 1KΩ, ±10%	
Audio Output	1 Audio output interface, line level, impedance: 600Ω	
Network		
Ethernet	10Base-T / 100Base-TX, RJ45 connector	
Main Stream	50Hz: 25fps(1920×1080, 1280×960, 1280×720); 60Hz: 30fps(1920×1080, 1280×960, 1280×720)	
Sub Stream	50Hz: 25fps(704×576, 352×288, 176×144); 60Hz: 30fps(704×480, 352×240, 176×120)	
Third Stream	50Hz: 25fps(1920×1080, 1280×960, 1280×720, 704×576, 352×288, 176×144) 60Hz: 30fps(1920×1080, 1280×960, 1280×720, 704×480, 352×240, 176×120)	
Image Compression	H.264/MJPEG/MPEG4, H.264 encoding with Baseline/Main/High profile	
Audio Compression	G.711ulaw/G.711alaw/G.726/MP2L2/G.722	
Protocols	IPv4/IPv6, HTTP, HTTPS, 802.1X, QoS, FTP, SMTP, UPnP, SNMP, DNS, DDNS, NTP, RTSP, RTP, TCP, UDP, IGMP, ICMP, DHCP, PPPoE	
Simultaneous Live View	Up to 20 users	
Mini SD Memory Card	Support up to 64GB Micro SD/SDHC/SDXC card. Support Edge recording	
User/Host Level	Up to 32 users,3 Levels: Administrator, Operator and User	
Security Measures	User authentication (ID and PW); Host authentication (MAC address); IP address filtering	
System Integration		
Application programming	Open-ended API, support Onvif, PSIA, CGI and Genetec	
Web Browser	IE 7+, Chrome 18 +, Firefox 5.0 +, Safari 5.02 +, support multi-language	
RS-485 Protocols	HIKVISION, Pelco-P, Pelco-D, self-adaptive	
Power	Hi-PoE&24 VAC, Max.60W	
Working Temperature	-40°C ~ 65°C (-40°F ~ 149°F)	
Humidity	90% or less	
Protection Level	IP66 standard, TVS 6.000V lightning protection, surge protection and voltage transient protection	
Certification	FCC, CE, UL, RoHS, IEC/EN 61000, IEC/EN 55022, IEC/EN 55024, IEC /EN60950-1	
Dimensions	Φ178.3(mm)×331.0(mm) (Φ7.02"×13.03")	
Weight (approx.)	8kg (approx.)	
Mount Option	Long-arm wall mount: DS-1602ZJ; Corner mount: DS-1602ZJ-corner; Pole Mount: DS-1602ZJ-pole; Power box mount:DS-1602ZJ-box;Swan-neck mount: DS-1619ZJ	