



GIS-R5:

Dual WAN Hotspot gateway for businesses with up to 100 users

- Low cost HSIA gateway
- Plug and play: easy to use wizard speeds installation
- Custom login page with client branding; choose from 12 backdrops or create your own design
- Free access with disclaimer; the legal disclaimer can be edited
- Controlled access uses codes that are generated and managed on the unit; charge for Internet service or give it free
- Access code usage reporting to track Internet utilization
- Credit card billing for WISP applications
- A firewall protects the business network for PCI DSS compliance
- Remote configuration
- QoS overall bandwidth control, with bandwidth settings for each code
- Content filter blocks access to non-approved websites
- Blocks file sharing software
- Timer calendar blocks use when the business is closed
- PMS interface API via firewalled Ethernet
- Hotspot user isolation
- Configuration backup and restore
- URL and MAC filter
- Dual WAN with load balance and fail-over, dual Hotspot



WiFi Hotspot Internet Service gateway for hospitality applications that meets the requirements of hotels wanting dual WAN reliability

Limitations of Basic WiFi Hotspots

Many businesses offer free wireless Internet for guests and visitors, or charge for the Internet service. Guests and travelers make reservations based on Internet availability because they have gadgets that use wireless Internet: iPhones®, iPod Touch®, laptop computers, and Blackberries®. However, basic WiFi Hotspots can leave guests and travelers frustrated.

Anyone can use the WiFi Hotspot freely as there is no access control to prevent the neighborhood getting free Internet.

No login page is a lost opportunity to advertise and promote the business and show specials with discount coupons to encourage customer loyalty.

One user downloading a large file can make the service slow for everyone else.

Business computers can be hacked and data stolen via the WiFi Hotspot: PCI DSS regulations require that the Hotspot use a second DSL or firewall to protect the PoS.

Users download illegal files, with risk of a lawsuit as file sharing can be detected.

There are no parental controls to block undesirable websites that should not be viewed in public.

The basic Hotspot misses opportunities to improve customer loyalty by using the Hotspot to promote the business and promotional offers.

We Make WiFi Hotspots Work Better

We offer a very simple and low cost way to add important features for any WiFi Hotspot. The GIS-R5 has been designed to protect your business from the consequences of data theft, and to give your guests and visitors a great Internet service. Our products make great financial sense: low cost products ensure that you get a fast return on investment.

Simple plug and play installation, no computer specialist required. Supports up to 100 concurrent users. Twelve different login pages are already installed plus custom options are available, and 10,000 pass codes control Internet access.

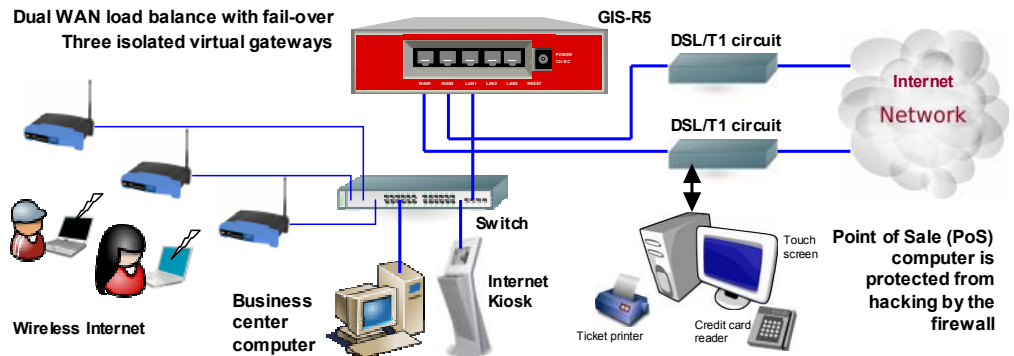
Credit card billing and reporting can be configured for commercial Hotspots.

Hackers are blocked with a firewall that prevents Hotspot users accessing the PoS. The firewall also blocks file sharing preventing potential illegal use of the network. Web sites can be blocked with the content filter for family friendly web surfing.

Speed control shares bandwidth and prevents guests abusing a shared service.

A timer /calendar activates service during business hours and disables the service when the business is closed.

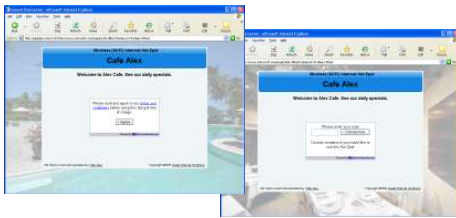
Absolutely no other charges, no monthly fees, percentages of credit card sales, or software charges for additional features.





Users View

Login page options



Select from menu or customize

Configuration

Setup wizard



The setup wizard is a six-step process completed after installation

Status Screen Messages

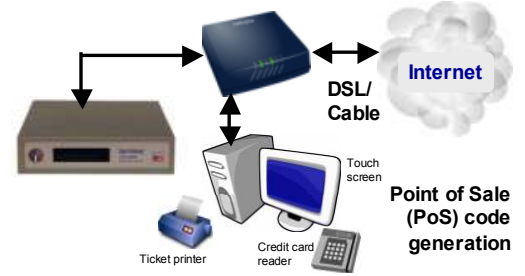
11:15am 07/21/11
Conn users = 145

11:15am 07/21/11
Auth users = 112

11:15am 07/21/11
NO INTERNET!

Front panel status display

PoS / PMS Integration



Generate access codes via PoS/PMS

Access code generation



Access codes are generated and managed using a simple display

Advanced Features



Exclusive features that make GIS gateways very powerful tools

GIS-R5 Technical specifications:

GATEWAY FEATURES

- Plug and play with the setup wizard
- Local and remote configuration
- Content filter using OpenDNS
- Download/upload speed control
- Allowed IP and MAC addresses
- Free and controlled Internet access
- Credit card billing and usage reporting
- Timer/calendar to set availability

AUTHENTICATION

- Concurrent clients: 100
- Access code database: 10,000

FIREWALL

- Firewall 1 blocks access from LAN to WAN
- Firewall 2 blocks peer-to-peer file sharing
- Firewall 3 port forwarding, remote access

LOGIN PAGE

- Branding via the login page generator
- Ten login pages are preinstalled
- Upload your own background graphic
- Create a custom HTML login page design
- Add custom login page banner advertising
- Disclaimer agreement with built in editor
- Link to business web site home page
- Login page access code generator
- Login code usage reporting
- Create a 'walled garden' using URL bypass
- Library of login page designs available
- Login page simulator on our website
- Optional billing page for CC processing
- Customer data collection application
- Login page backup/restore

OPERATION

- Commercial grade equipment suitable for any business environment

API FOR PMS INTERFACE

- PMS integration to set access codes
- Code fetch/ manage via HTTP

ETHERNET (2 WAN, 3 LAN)

- WAN1-WAN2 (Internet) RJ-45 10/100
- LAN1-LAN3 (network) RJ-45 10/100

DUAL WAN

- Load-balance over two Internet circuits
- Two load-balance methods
- Fail-over when an Internet circuit fails

DIMENSIONS AND POWER

- Enclosure: W 5" x D 4" x H 1.3"
- 12volt 110v/220v supply, 12W

WARRANTY: 1 year for product defects

Applications for the GIS-R5

- Motel / Hotel
- Music concert
- Theater
- Hospital
- Airport
- Shopping mall
- Student dorms
- Municipal office
- Multi-tenant condo
- University
- Resort
- Trade show

Call 1-800-213-0106 for further information, or see our web site: www.guest-internet.com
Guest Internet Solutions, Unit C-12, 6073 NW 167 St., Miami, FL 33015, USA. Part of the Fire4 Systems Group

The maximum number of concurrent users for the GIS-R5 is specified with a total backhaul of 45 Mb/sec circuits and with users sending/receiving emails and viewing web sites. The maximum number of concurrent users will be reduced when the Internet backhaul is slower than the recommended speed, and when the user traffic includes download/upload of large files.