

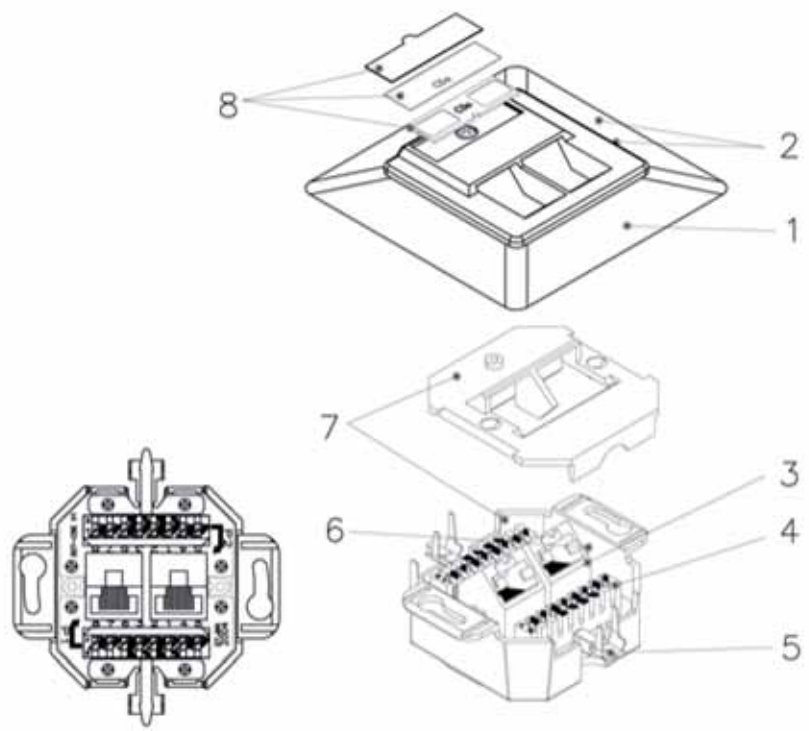
Specification :

Material :

1. Face Plate : ABS, UL 94-HB.
2. RJ45 Jack :
 - 1-1. Housing : ABS, UL 94-HB. with optional color.
 - 1-2. Contact Bracket : PBT+Glass Fiber, UL 94V-0.
3. RJ45 Jack Contact :
 - 2-1. Material : Phosphor Bronze with Nickel plated.
 - 2-2. Finish : 50 micro-inch Gold plated over Nickel plated.
4. IDC :
 - 3-1. Housing : PC+Glass Fiber, UL 94V-2.
 - 3-2. Terminal : Phosphor Bronze with min Tin plated.
5. Cable Clamp : Bronze with Nickel plated.
6. PCB Bracket Set : ABS, UL 94-HB.
7. Plastic Case : ABS, UL 94-V0.
8. Identification :
 - 8-1. I.D. Plate : PVC, Transparent color.
 - 8-2. Paper.
 - 8-3. Frame : ABS, UL 94V-0.
9. PCB : FR4, UL 94V-0.

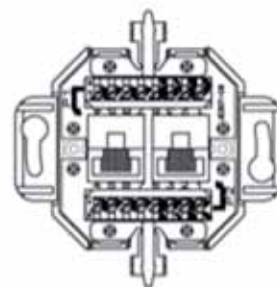
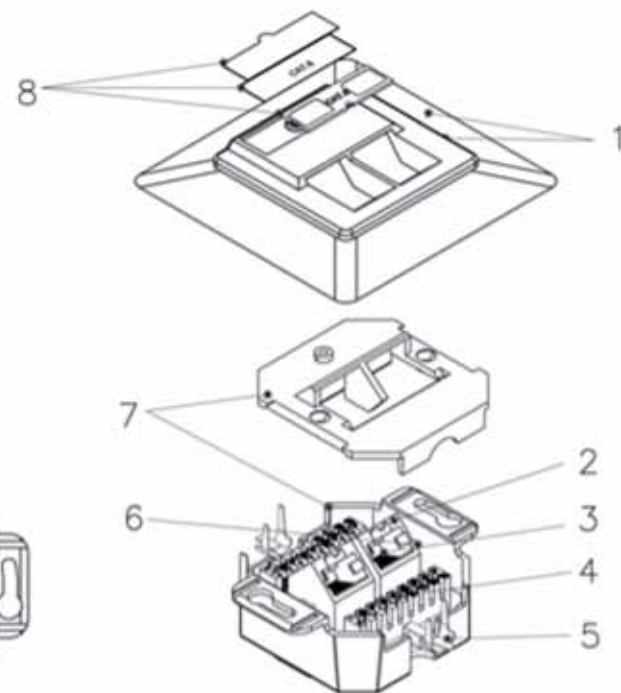
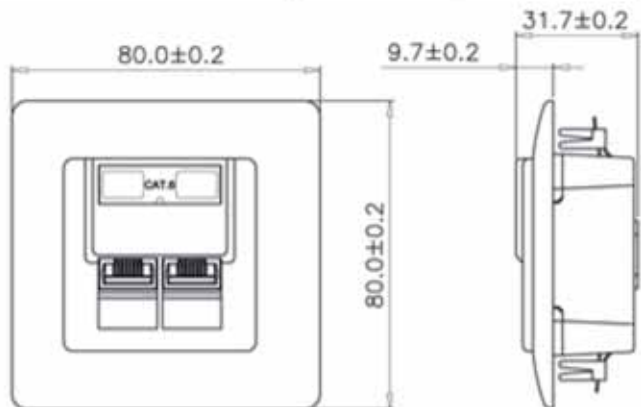
Performance :

- a. T568A & T568B wiring Printing on IDC.
- b. Insertion force : 20N max. (IEC 60603-7-4)
- c. Retention strength : 7.7 kg between Jack and Plug.
- d. Operating temperature : -10°C to 60°C. (ISO/IEC 11801, ANSI/TIA/EIA 568 B.2)
- e. Durability :
 - *Jack : 750 cycles min. (ISO/IEC 11801, IEC 60603-7-4)
 - *IDC : Suitable for 22-26 AWG stranded and solid wire, compatible with Krone punch down tool.
- f. The Cat.5e transmission performance is in compliance with the ANSI/TIA/EIA 568 B.2 standard.



SCALE 1/2

GENERAL TOLERANCE OF DIMENSIONS X.XXX ±0.005 X.XX ±0.05 X.X ±0.1	DRAWING	30.JUN.2010	QIQI	ACE
	CHECK	30.JUN.2010	JANE	
	APPROVAL	30.JUN.2010	JAIMY	
		DATE	NAME	FA5008
	SCALE 1/2 (A4)	UNIT mm	DES.: CAT.5E UNSHIELDED BOX	
	DRAWING NO.			
	DRAWING CLASSIFICATION		S	SHEET 1 OF 1



Specification :

Material :

1. Plastic Plate : ABS, UL 94-HB, with optional color.
2. RJ45 Jack :
 - 2-1. Housing : PBT+Glass Fiber, UL 94V-0.
 - 2-2. Contact Bracket : PBT+Glass Fiber, UL 94V-0.
3. RJ45 Jack Contact :
 - 3-1. Material : Phosphor Bronze with Nickel plated.
 - 3-2. Finish : 50 micro-inch Gold plated on Plug contact area.
4. IDC :
 - 4-1. Housing : PC+Glass Fiber, UL 94V-0.
 - 4-2. Terminal : Phosphor Bronze with Tin plated.
5. Cable Clamp : Bronze with Nickel plated.
6. PCB Bracket Set : ABS, UL 94-HB.
7. Plastic Case : ABS, UL 94-HB.
8. Identification :
 - 8-1. I.D. Plate : PVC, Transparent color.
 - 8-2. Paper.
 - 8-3. Frame : ABS, UL 94V-0.
9. PCB : FR4, UL 94V-0.

Performance :

- a. T568A & T568B wiring.
- b. Insertion force : 20N max. (IEC 60603-7-4)
- c. Retention strength : 7.7 kg between Jack and Plug.
- d. Operating temperature : -10°C to 60°C. (ISO/IEC 11801, ANSI/TIA/EIA 568 B.2)
- e. Life(mating cycles) :
 - * Jack : 750 cycles min. (ISO/IEC 11801, IEC 60603-7-4)
 - * IDC : Suitable for 22-26 AWG stranded and solid wire, compatible with Krone punch down tool.
- f. The Cat.6 transmission performance is in compliance with the ANSI/TIA/EIA 568 B.2-1 standard.

SCALE 1/2

GENERAL TOLERANCE OF DIMENSIONS X.XXX ±0.005 X.XX ±0.05 X.X ±0.1	DRAWING	20.OCT.2010	QIQI	AC
	CHECK	20.OCT.2010	JANE	
	APPROVAL	20.OCT.2010	JAIMY	
		DATE	NAME	FA6008
	SCALE 1/2 (A4)	UNIT mm	DES.: CAT.6 UNSHIELDED BOX	
	DRAWING NO.			
	DRAWING CLASSIFICATION		S	SHEET 1 OF 1