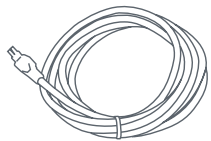


AER2200

Cloud-Managed Networking for the Modern Branch



WHAT'S INCLUDED:



Ethernet Cable



Power Supply



WiFi & Cellular Antennas



Door Screw

THANK YOU FOR CHOOSING CRADLEPOINT

Cradlepoint is the leading provider of secure, cloud-managed LTE networking solutions for distributed enterprises. The AER2200 is Advanced Edge Routing for cloud-managed modern branch networking with WiFi access points.

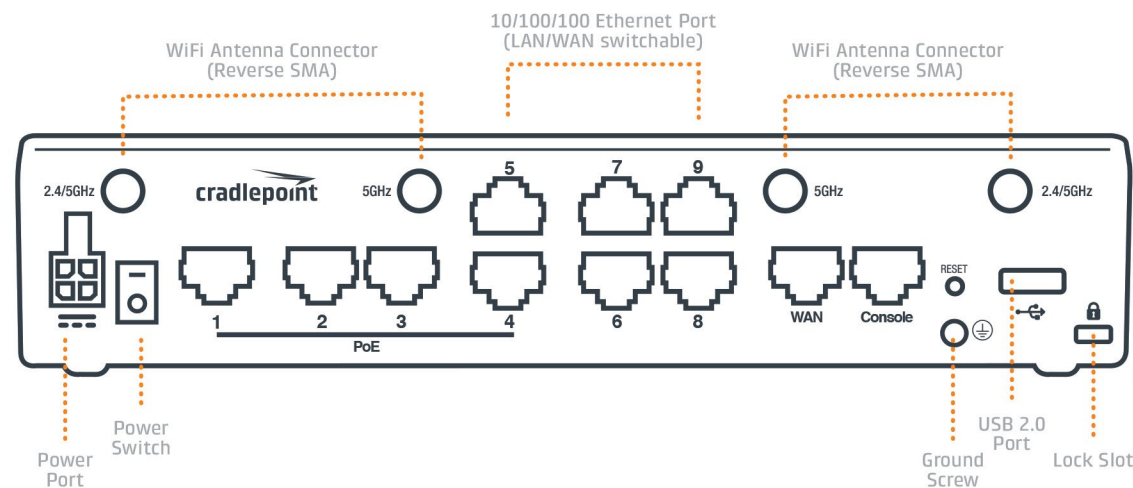
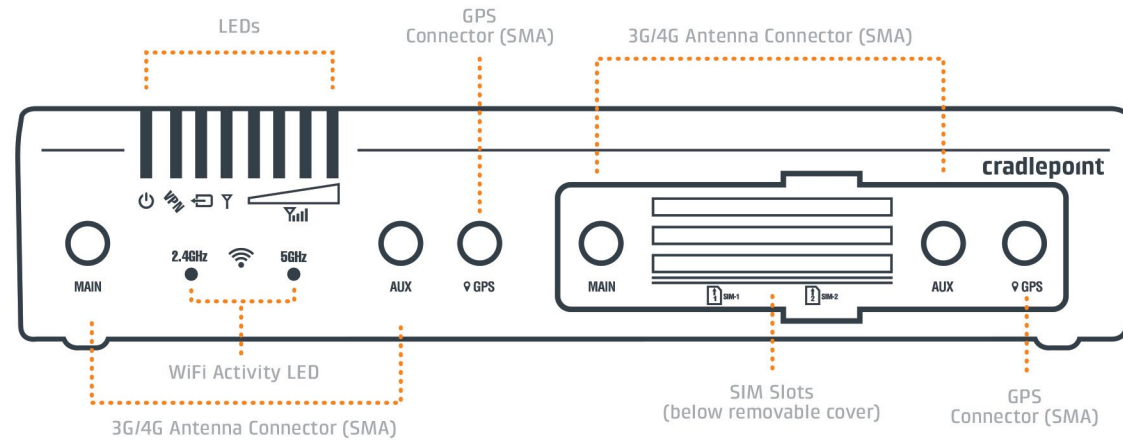
Everywhere you connect, we give you an Edge. Connect More. Wire Less.

AER2200 Key Features:

- + Cloud-managed
- + Wave 2 dual-band, dual-concurrent WiFi (802.11 a/b/g/n/ac)
- + Dual-modem, multi-carrier support
- + Wireless WAN analytics
- + Ports: 1 GigE WAN, 9 GigE LAN (switchable)
- + Embedded LTE modem
- + Industry-leading SD-WAN & 4G failover
- + Supports Unified Threat Management
- + Up to 4 ports of PoE
- + Built for PCI DSS Compliance

Go to cradlepoint.com/aer2200 to learn more.

Device Details



Model / Regulatory Numbers:

AER2200-600M S5A803A

Getting Started

Setting Up the Router

- + Purchase a data plan. Insert an active SIM (as shown in the next section) or connect via Ethernet and power up the AER2200.
- + Connect modem antennas (finger tight only).
- + Plug the power supply into an electrical outlet.
- + Ensure power is switched on.
O = OFF, I = ON

SIM Card Setup

To insert or remove a SIM card:

1. Remove the SIM door screw on the bottom of the router and the cover. (See diagram below.)
2. SIMs can be inserted into the embedded modem behind the MC400 door or directly into the MC400.
 - + Embedded modem: Insert the SIM card with metal contacts **up** and notch in. It will click into place. Depress again to remove.
 - + MC400: Place the SIM with metal contacts **down** and notch in. It will click into place. Depress again to remove.
3. Replace the SIM cover or the modem will not power on.

Deploy & Manage Your Device with NetCloud Manager

Your new device includes a subscription to NetCloud Manager (NCM), which allows you to configure and manage your new device remotely.

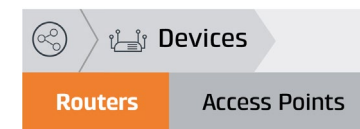
NetCloud Manager is a network management application that helps businesses deploy, configure, and collect actionable intelligence for any registered device. It also includes SD-WAN capabilities, like policy and orchestration, to enhance the security and scalability of your network and business operations.

Explore everything you can do with NetCloud Manager.
Visit cradlepoint.com/netcloud-manager or call us at: **+1 855-813-3385**

Accessing NetCloud Manager

Wait for the device to connect to a network (WAN) through the SIM or via Ethernet. (See diagram below.)

To configure and manage your device via the cloud, log into NetCloud Manager. Open a browser to cradlepointecm.com and log in with the NetCloud Manager credentials received by email with your account information. Navigate to “Devices > Routers” to configure the router. To create, modify, and manage the router in a group, go to “Groups > Router Groups.”



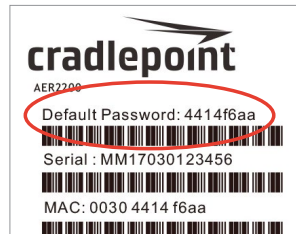
If the device does not establish a cellular connection within 60 seconds, you may need to make configuration changes via the local UI for NetCloud OS. If needed, follow the instructions in the next section to log into NetCloud OS.



Local Access to NetCloud OS

1. Connect to the router via Ethernet or WiFi.
2. Open the browser, type “cp/” or “192.168.0.1” and press enter.
3. Enter the eight-digit Administrator Password found on the product label.
4. Upon first-time login, you’ll automatically be directed to the First Time Setup Wizard.

Note: The power/attention LED will show amber until the user changes the default Administrator and WiFi passwords. Default passwords must be changed to secure the router.



Updating NetCloud OS

Cradlepoint regularly updates and enhances NetCloud OS. You may need to update NetCloud OS to use the AER2200 with new modems and to access our latest features.

1. Log in at cradlepointecm.com using your NetCloud Manager credentials.
2. Navigate to the “Groups” page.
3. Select a group and click on the NetCloud OS option in the top toolbar. In the dropdown menu that opens, select the desired version. Wait for NetCloud OS to load.

Activating Your Modem

A Cradlepoint router requires a SIM with an active data subscription to a wireless broadband data plan to connect to a wireless network. SIMs with wireless broadband data plans are available from wireless carriers such as AT&T, Verizon, Sprint, T-Mobile, EE, and Vodafone. Carriers offer several different types of data plans and Cradlepoint works with most (Mobile broadband, M2M, and router pricing plans; private and public APNS; and static or dynamic IP addresses).

For more information on activation, see cradlepoint.com/activation.

Router Communication / Data Usage

The factory default configuration of the router is set to communicate with Cradlepoint and other resources at regular intervals to access the latest NetCloud OS and modem updates, clock synchronization (NTP), and NetCloud Manager membership. Such communication may result in data usage and applicable charges regardless of whether the router uses a wired or wireless Internet connection. To avoid such data usage and potential charges, consult the following Knowledge Base article:

<http://knowledgebase.cradlepoint.com/articles/support/router-communication-data-usage>