

## Cisco RV042 Dual WAN VPN Router

Highly Secure, Reliable Connectivity for the Small Business Network

The Cisco® RV042 Dual WAN VPN Router delivers highly secure, high-performance, reliable connectivity - to the Internet, other offices, and employees working remotely - from the heart of your small business network. This proven router provides the performance and security you need to help keep your employees, and your business, productive.

The Cisco RV042 enables two connections, either to a single service provider, with load balancing to improve performance, or to different providers to support business continuity. High-capacity virtual private network (VPN) capabilities let multiple offices and dozens of employees access the information they need from anywhere, just as securely as if they were working at your main office.

To further safeguard your network and data, the Cisco RV042 includes business-class security features and optional cloud-based web filtering. Configuration is a snap, using an intuitive, browser-based device manager and setup wizards.

**Figure 1.** Cisco RV042 Dual WAN VPN Router



### Features

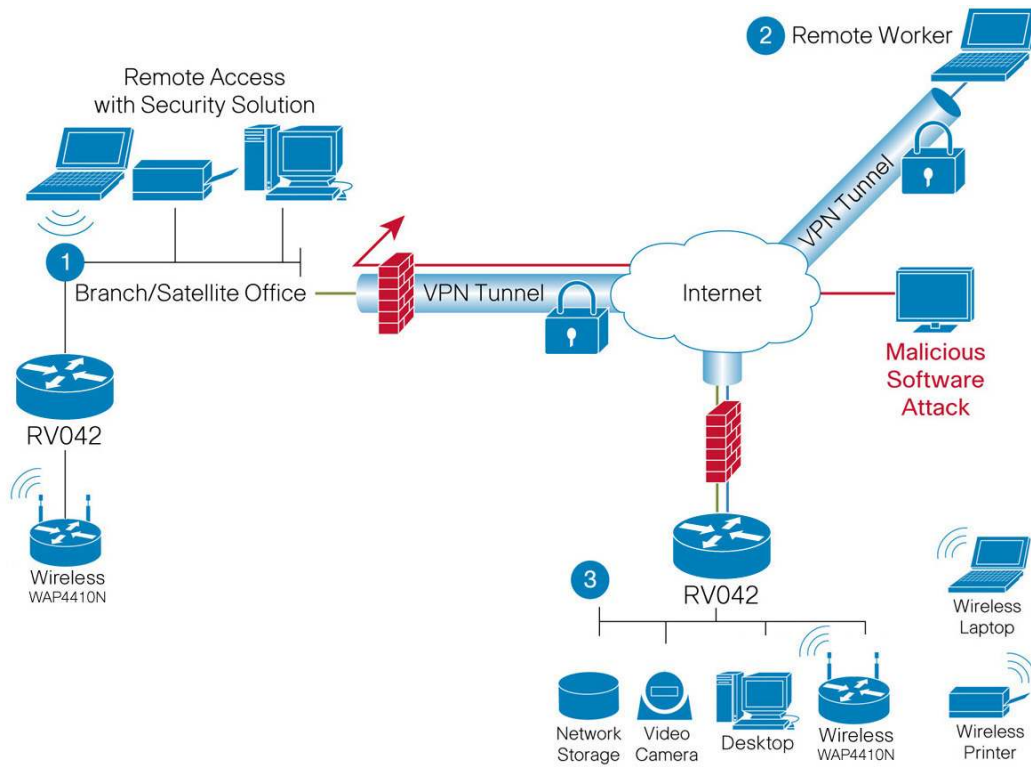
- Dual 10/100 Mbps Fast Ethernet WAN ports for load balancing and/or business continuity
- Built-in 4-port Fast Ethernet switch
- Strong security: Proven stateful packet inspection (SPI) firewall, and hardware encryption
- High capacity, high-performance IP Security (IPsec) VPN capabilities
- Intuitive, browser-based device manager and setup wizards

Figure 2 shows the back panel of the Cisco RV042. Figure 3 shows a typical configuration.

**Figure 2.** Back Panel of the Cisco RV042



**Figure 3.** Typical Configuration



**Product Specifications**

Table 1 lists the product specifications for the Cisco RV042.

**Table 1.** Product Specifications

Specifications	
Dual WAN	Configurable for Smartlink backup or load balancing
Standards	<ul style="list-style-type: none"> <li>• 802.3, 802.3u</li> <li>• IPv4 (RFC 791)</li> <li>• Routing Information Protocol (RIP) v1 (RFC 1058) and v2 (RFC 1723)</li> </ul>
Network protocols	<ul style="list-style-type: none"> <li>• Dynamic Host Configuration Protocol (DHCP) server, DHCP client, DHCP relay agent</li> <li>• Static IP</li> <li>• Point-to-Point Protocol over Ethernet (PPPoE)</li> <li>• Point-to-Point Tunneling Protocol (PPTP)</li> <li>• Transparent bridge</li> <li>• DNS relay, Dynamic DNS (DynDNS, 3322)</li> </ul>
Routing protocols	<ul style="list-style-type: none"> <li>• Static</li> <li>• RIP v1 and v2</li> </ul>
Network Address Translation (NAT)	<ul style="list-style-type: none"> <li>• Port Address Translation (PAT)</li> <li>• Network Address Port Translation (NAPT), NAT traversal, one-to-one NAT</li> </ul>
Protocol binding	Protocols can be bound to a specific WAN port for load balancing
Network edge (DMZ)	DMZ port, DMZ host
Security	
Firewall	SPI, denial of service (DoS), ping of death, SYN flood, land attack, IP spoofing, email alert for hacker attack
Access rules	Up to 50 entries
Port forwarding	Up to 30 entries
Port triggering	Up to 30 entries

<b>Blocking</b>	Java, cookies, ActiveX, HTTP proxy
<b>Content filtering</b>	Static URL blocking or keyword blocking
<b>Secure management</b>	HTTPS, username/password, password complexity
<b>VPN</b>	
<b>IPsec</b>	50 IPsec site-to-site tunnels for branch office connectivity
<b>QuickVPN</b>	50 QuickVPN tunnels for remote client access
<b>PPTP</b>	5 PPTP tunnels for remote access
<b>Encryption</b>	Data Encryption Standard (DES), Triple Data Encryption Standard (3DES), and Advanced Encryption Standard (AES) encryption; AES-128, AES-192, AES-256
<b>Authentication</b>	MD5/SHA1 authentication
<b>IPsec NAT traversal</b>	Supported for gateway-to-gateway and client-to-gateway tunnels
<b>VPN pass-through</b>	PPTP, L2TP, IPsec
<b>Advanced VPN</b>	Dead peer detection (DPD), IKE, split DNS
<b>Quality of Service (QoS)</b>	
<b>Prioritization types</b>	Application-based priority on WAN port
<b>Service-based QoS</b>	Supports rate control or priority
<b>Rate control</b>	Upstream/downstream bandwidth can be configured per service
<b>Priority</b>	Each service can be mapped to one of 3 priority levels
<b>Performance</b>	
<b>NAT throughput</b>	100 Mbps
<b>IPsec VPN throughput</b>	59 Mbps
<b>Configuration</b>	
<b>Web user interface</b>	Simple browser-based device manager (HTTP/HTTPS)
<b>Management</b>	
<b>Management protocols</b>	Web browser, Simple Network Management Protocol (SNMP) v1 and v2c, Bonjour
<b>Event logging</b>	Syslog, email alerts, VPN tunnel status monitor
<b>Upgradability</b>	Firmware upgradable through web browser, imported/exported configuration file

## System Specifications

Table 2 lists the system specifications for the Cisco RV042.

**Table 2.** System Specifications

<b>Product dimensions (W x H x D)</b>	5.12 in. x 1.52 in. x 7.87 in. 130 mm x 38.5 mm x 200 mm
<b>Ports</b>	4 10/100 RJ-45 ports, 1 10/100 RJ-45 Internet port, 1 10/100 RJ-45 DMZ/Internet port
<b>Power Supply</b>	12V 1A
<b>Certification</b>	FCC class B, CE Class B, cUL, Anatel, MEPS, CCC, PSB, CB, C-tick, KCC
<b>Operating temperature</b>	0° to 40°C (32° to 104°F)
<b>Storage temperature</b>	0° to 70°C (32° to 158°F)
<b>Operating humidity</b>	10% to 85% noncondensing
<b>Storage humidity</b>	5% to 90% noncondensing

## Ordering Information

Table 3 lists ordering information for the Cisco RV042.

**Table 3.** Ordering Information

Part Number	Description
RV042	RV042 Dual WAN Router for US/Canada and LATAM
RV042-EU	RV042 Dual WAN Router for Europe, Asia, Brazil
RV042-UK	RV042 Dual WAN Router for the UK, Hong Kong, India and Singapore
RV042-AU	RV042 Dual WAN Router for Australia and NZ
RV042-CN	RV042 Dual WAN Router for China
RV042-AR	RV042 Dual WAN Router for Argentina

## Cisco Limited Lifetime Warranty for Cisco Small Business Products

This Cisco Small Business product comes with a limited lifetime hardware warranty with return-to-factory replacement and a 1-year limited warranty for fans and power supplies. In addition, Cisco offers telephone technical support at no charge for the first 12 months following the date of purchase and software bug fixes, as available, for the warranty term. Product warranty terms and other information applicable to Cisco products are available at <http://www.cisco.com/go/warranty>.

## Cisco Services

Cisco Small Business products are supported by professionals in Cisco Small Business Support Center locations worldwide who are specifically trained to understand your needs. The Cisco Small Business Support Community, an online forum, enables you to collaborate with your peers and reach Cisco technical experts for support information.

## Cisco Small Business Support Service

The optional Cisco Small Business Support Service offers affordable, 3-year peace-of-mind coverage. This subscription-based, device-level service helps you protect your investment and derive maximum value from Cisco Small Business products. Delivered by Cisco and backed by your trusted partner, this comprehensive service includes software updates, extended access to the Cisco Small Business Support Center, and expedited hardware replacement, should it be required.

## For More Information

For more information on Cisco Small Business products and solutions, visit <http://www.cisco.com/smallbusiness>.



**Americas Headquarters**  
Cisco Systems, Inc.  
San Jose, CA

**Asia Pacific Headquarters**  
Cisco Systems (USA) Pte. Ltd.  
Singapore

**Europe Headquarters**  
Cisco Systems International BV  
Amsterdam, The Netherlands

Cisco has more than 200 offices worldwide. Addresses, phone numbers, and fax numbers are listed on the Cisco Website at [www.cisco.com/go/offices](http://www.cisco.com/go/offices).

Cisco and the Cisco logo are trademarks or registered trademarks of Cisco and/or its affiliates in the U.S. and other countries. To view a list of Cisco trademarks, go to this URL: [www.cisco.com/go/trademarks](http://www.cisco.com/go/trademarks). Third party trademarks mentioned are the property of their respective owners. The use of the word partner does not imply a partnership relationship between Cisco and any other company. (1110R)