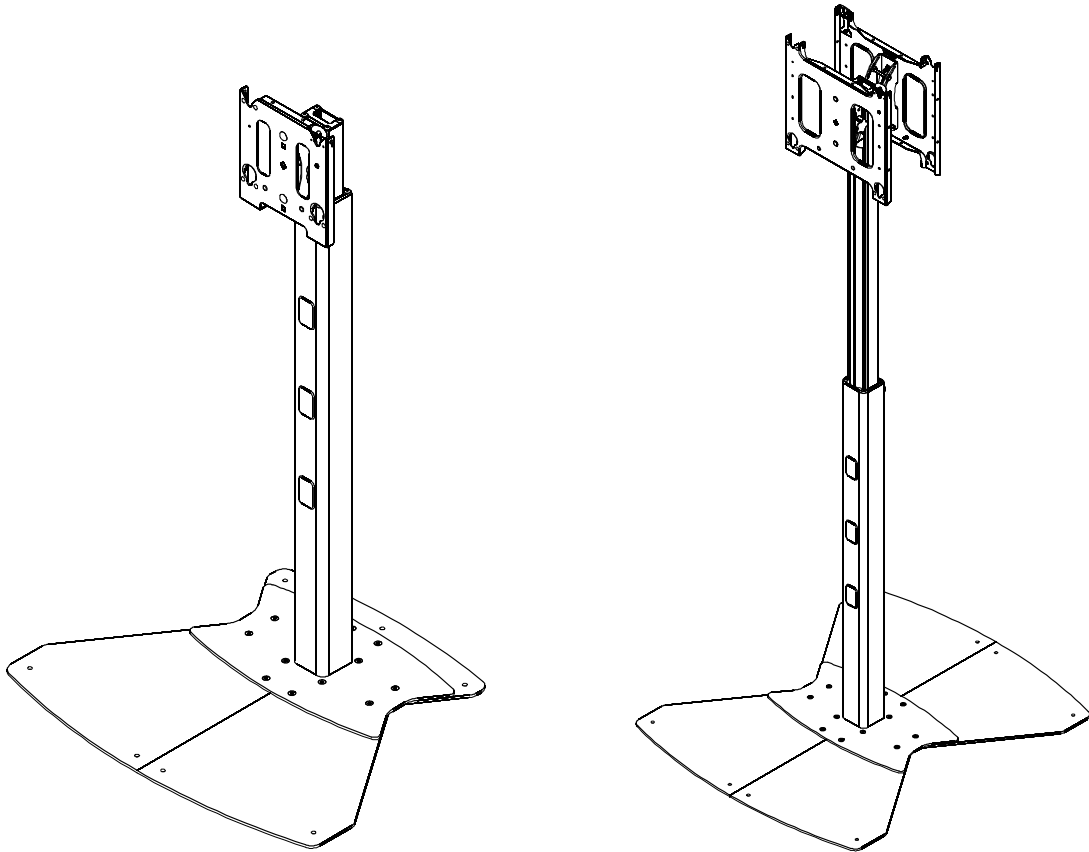

INSTALLATION INSTRUCTIONS



Single and Dual Display Floor Stands

DISCLAIMER

Milestone AV Technologies, and its affiliated corporations and subsidiaries (collectively, "Milestone"), intend to make this manual accurate and complete. However, Milestone makes no claim that the information contained herein covers all details, conditions or variations, nor does it provide for every possible contingency in connection with the installation or use of this product. The information contained in this document is subject to change without notice or obligation of any kind. Milestone makes no representation of warranty, expressed or implied, regarding the information contained herein. Milestone assumes no responsibility for accuracy, completeness or sufficiency of the information contained in this document.

Chief® and ClickConnect™ are registered trademarks of Milestone AV Technologies. All rights reserved.

IMPORTANT WARNINGS AND CAUTIONS!



WARNING: A WARNING alerts you to the possibility of serious injury or death if you do not follow the instructions.



CAUTION: A CAUTION alerts you to the possibility of damage or destruction of equipment if you do not follow the corresponding instructions.



WARNING: Failure to read, thoroughly understand, and follow all instructions can result in serious personal injury, damage to equipment, or voiding of factory warranty! It is the installer's responsibility to make sure all components are properly assembled and installed using the instructions provided.

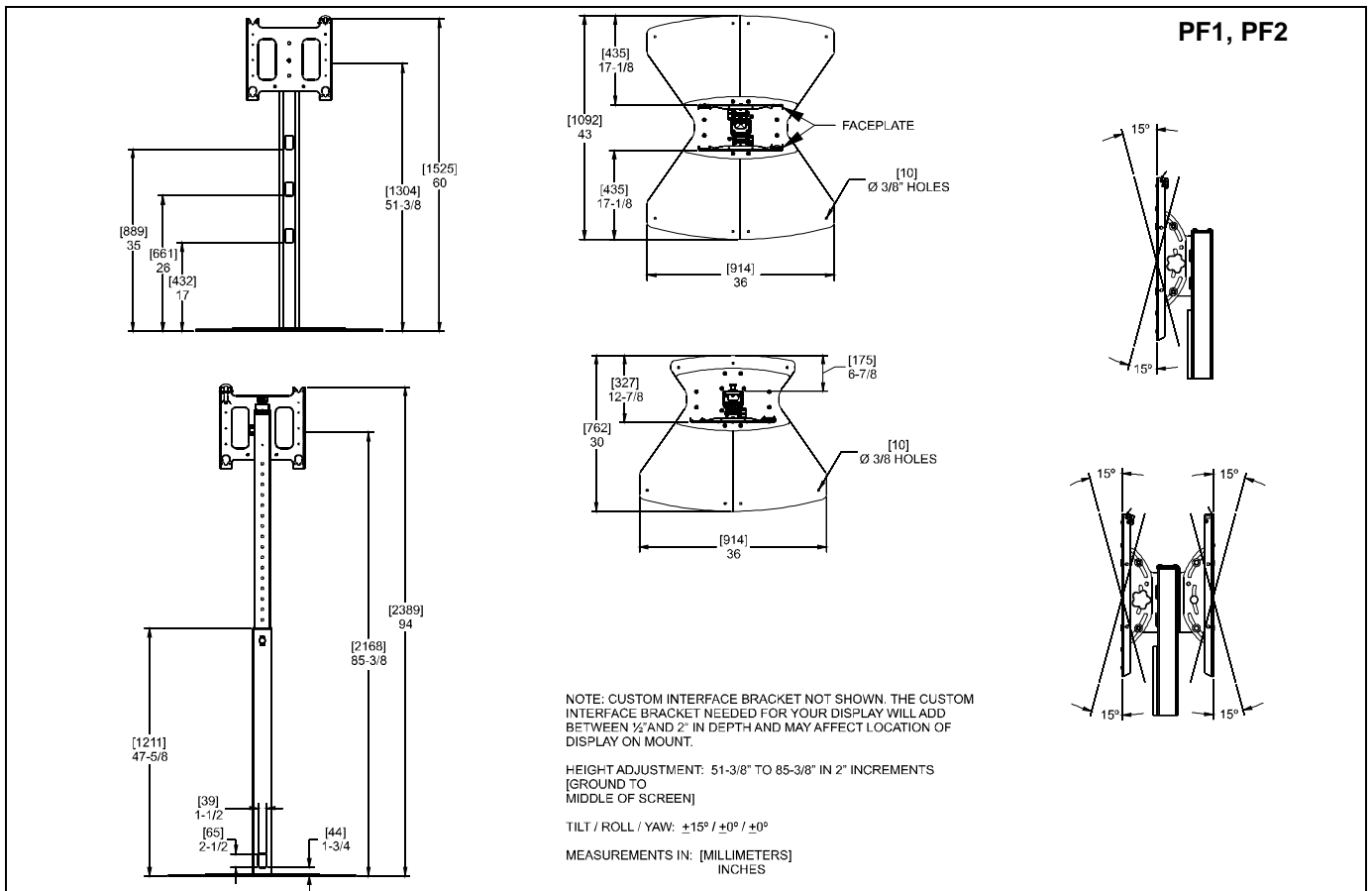
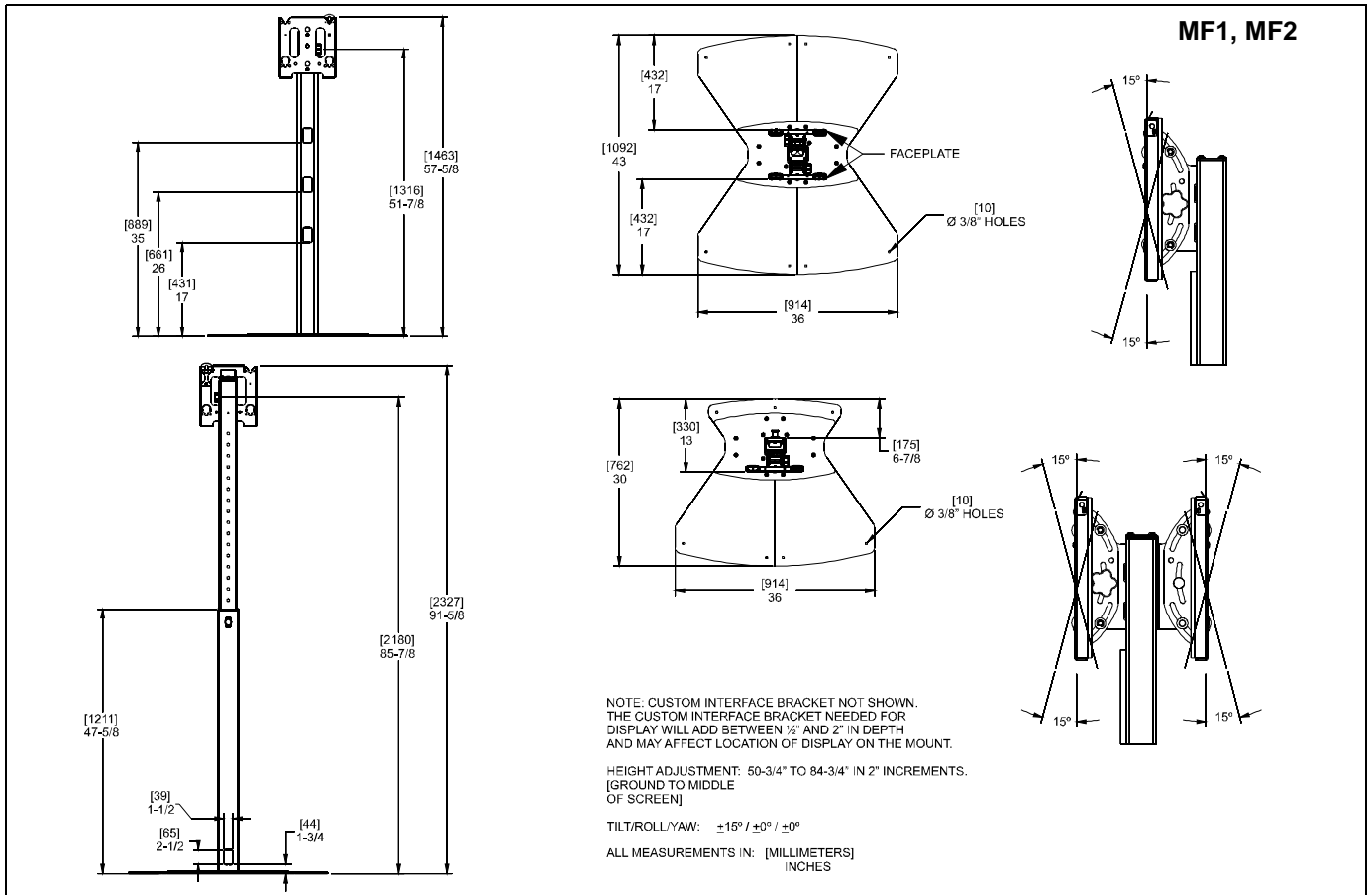


WARNING: Failure to provide adequate structural strength for this component can result in serious personal injury or damage to equipment! It is the installer's responsibility to make sure the structure to which this component is attached can support five times the combined weight of all equipment. Reinforce the structure as required before installing the component.



WARNING: Exceeding the weight capacity can result in serious personal injury or damage to equipment! It is the installer's responsibility to make sure the combined weight of all components up to (and including) the display does not exceed 125 lbs (56.70 kg) for the MF1, 250 lbs (113.40 kg) for the MF2 [125 lbs (56.70 kg) per faceplate]; 200 lbs (90.72 kg) for the PF1, 400 lbs (181.44 kg) for the PF2 [200 lbs (90.72 kg) per faceplate].

DIMENSIONS



LEGEND

	Tighten Fastener
	Apretar elemento de fijación
	Befestigungsteil festziehen
	Apertar fixador
	Serrare il fissaggio
	Bevestiging vastdraaien
Serrez les fixations	

	Loosen Fastener
	Aflojar elemento de fijación
	Befestigungsteil lösen
	Desapertar fixador
	Allentare il fissaggio
	Bevestiging losdraaien
Desserrez les fixations	

	Phillips Screwdriver
	Destornillador Phillips
	Kreuzschlitzschraubendreher
	Chave de fendas Phillips
	Cacciavite a stella
	Kruiskopschroevendraaier
Tournevis à pointe cruciforme	

	Open-Ended Wrench
	Llave de boca
	Gabelschlüssel
	Chave de bocas
	Chiave a punte aperte
	Steeksleutel
Clé à fourche	

	By Hand
	A mano
	Von Hand
	Com a mão
	A mano
	Met de hand
À la main	

	Hex-Head Wrench
	Llave de cabeza hexagonal
	Sechskantschlüssel
	Chave de cabeça sextavada
	Chiave esagonale
	Zeskantsleutel
Clé à tête hexagonale	

	Pencil Mark
	Marcar con lápiz
	Stiftmarkierung
	Marcar com lápis
	Segno a matita
	Potloodmerkteken
Marquage au crayon	

	Drill Hole
	Perforar
	Bohrloch
	Fazer furo
	Praticare un foro
	Gat boren
Percez un trou	

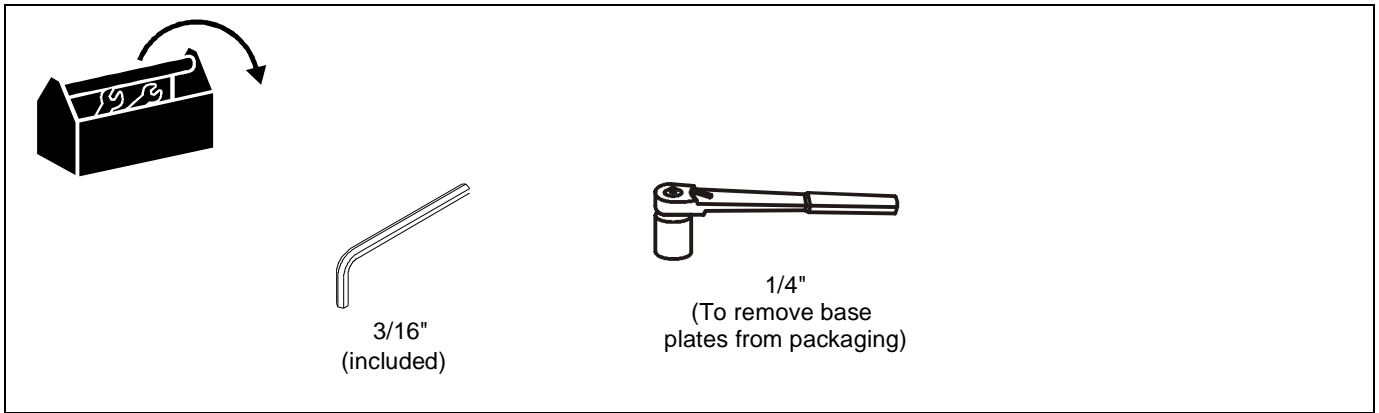
	Adjust
	Ajustar
	Einstellen
	Ajustar
	Regolare
	Afstellen
Ajuster	

	Remove
	Quitar
	Entfernen
	Remover
	Rimuovere
	Verwijderen
Retirez	

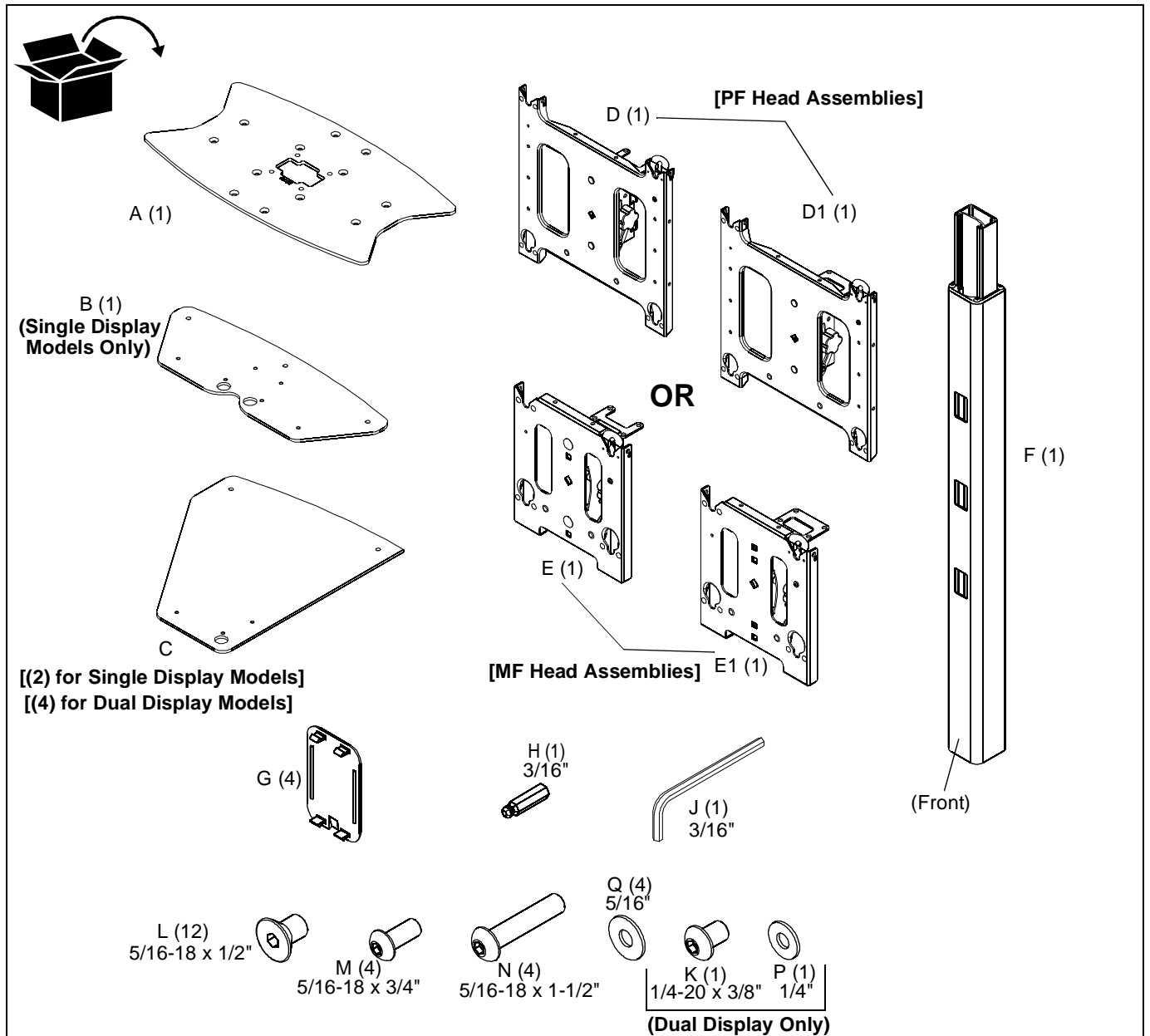
	Optional
	Opcional
	Optional
	Opcional
	Opzionale
	Optie
En option	

	Security Wrench
	Llave de seguridad
	Sicherheitsschlüssel
	Chave de segurança
	Chiave di sicurezza
	Veiligheidsleutel
Clé de sécurité	

TOOLS REQUIRED FOR INSTALLATION



PARTS



ASSEMBLY



CAUTION: Attachment holes may be damaged if a power drill is used to insert button head cap screws. Screws should first be inserted and turned **BY HAND** with the hex key or with a handheld screwdriver **BEFORE** using the hex head drill bit and power drill to complete the attachment.

Assembling Base for Single Display Stand



CAUTION: INNER COLUMN IS SHIPPED DISENGAGED and may pinch hands! Hold both inner and outer posts (columns) while removing from box.

IMPORTANT ! : Press cable tie tab to loosen and remove cable tie from around knob post. (See Figure 1)

NOTE: Disengage knob on center post **BEFORE** attaching base to center post.

1. Lift up slightly on the inner column of center post and hold firmly toward top of post. (See Figure 1)
2. Pull out knob on the center post and turn 90° in either direction to disengage the locking mechanism. (See Figure 1)
3. Raise the inner column and turn the knob 90° in either direction to engage the knob and lock the column in place. (See Figure 1)

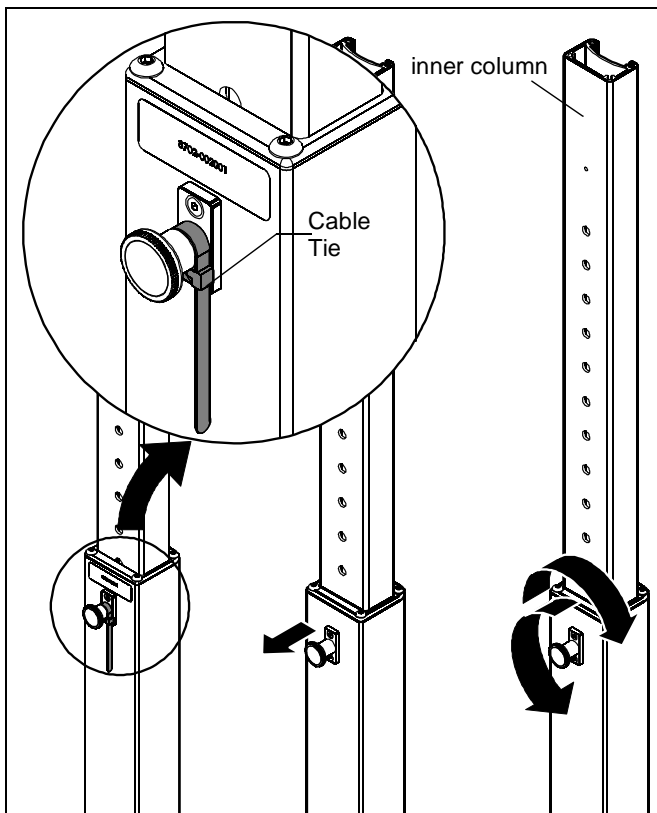


Figure 1

4. Attach top base section (A) to the center post (F) using four 5/16-18 x 1-1/2" button head cap screws (N) and four 5/16" flat washers (Q). (See Figure 2)

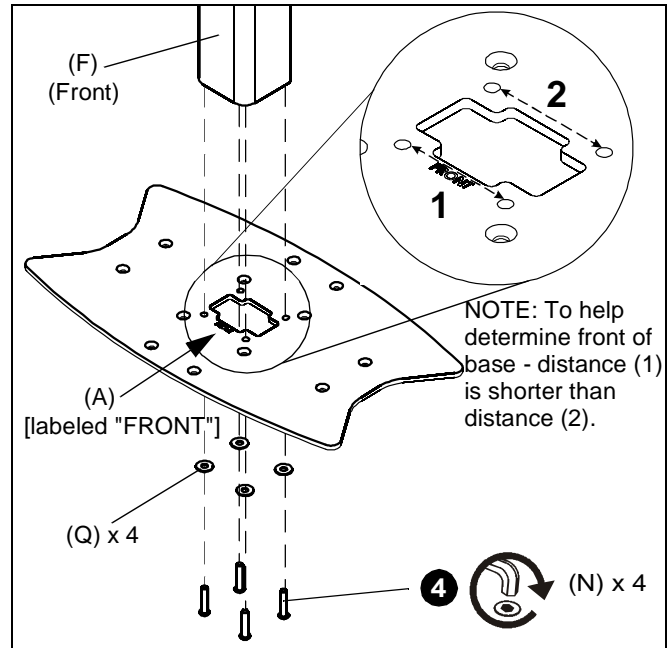


Figure 2

NOTE: Ensure that post (F) front is placed to the front of base section (A). Check for "FRONT" on base section (A). (See Figure 2)

NOTE: Insert and tighten screws in order shown (1, 2, 3, 4) in Figure 3

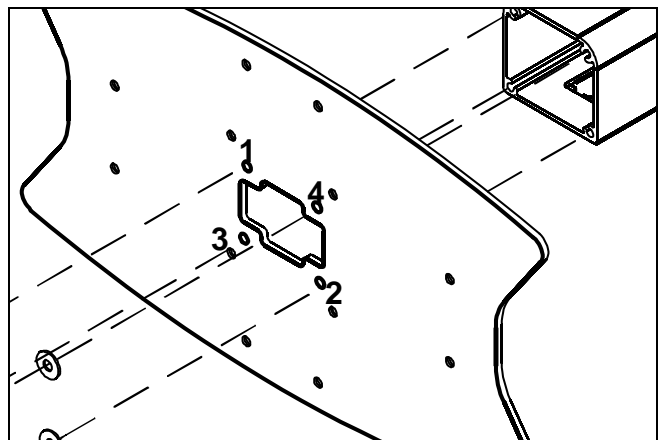


Figure 3

- Gather stand base pieces B and C (2) as shown in Figure 4 and push them together until the edges meet.

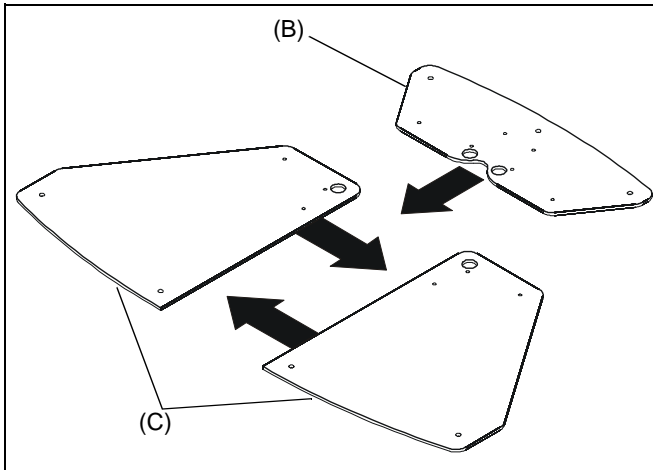


Figure 4

- Place top base section and center post assembly on top of the three base pieces with the center post front facing base pieces (C). (See Figure 5)
- Fasten lower base pieces (B and C) to top base section and center post assembly using twelve 5/16-18 x 1/2" flat head cap screws (L). (See Figure 5)

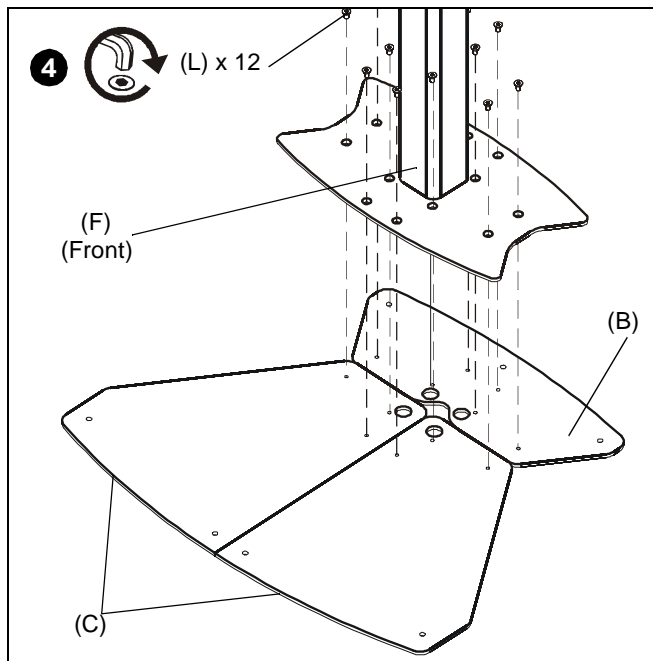


Figure 5

Assembling Base for Dual Display Stand



CAUTION: INNER COLUMN IS SHIPPED DISENGAGED and may pinch hands! Hold both inner and outer posts (columns) while removing from box.

IMPORTANT ! : Press cable tie tab to loosen and remove cable tie from around knob post. (See Figure)

NOTE: Disengage knob on center post BEFORE attaching base to center post.

- Follow Steps 1-4 (and Figures 1, 2 and 3) of **Assembling Base for Single Display Stand**.
- Gather four base pieces (C) as shown in Figure 6 and push them together until the edges meet.

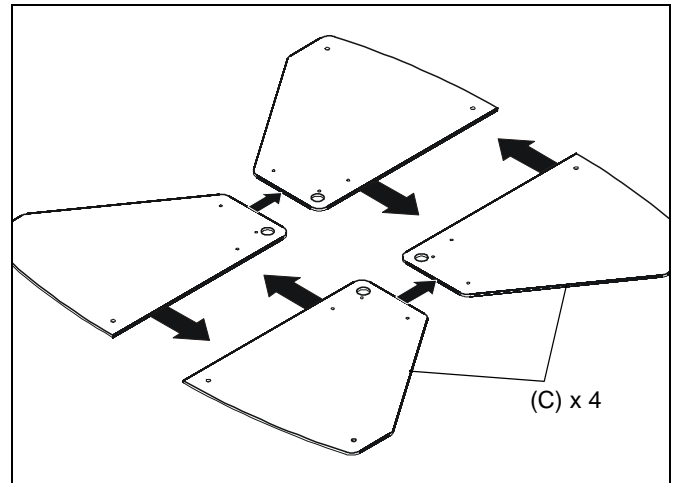


Figure 6

- Place top base section and center post assembly on top of the four base pieces. (See Figure 7)
- Fasten lower base pieces to top base section and center post assembly using twelve 5/16-18 x 1/2" flat head cap screws (L). (See Figure 7)

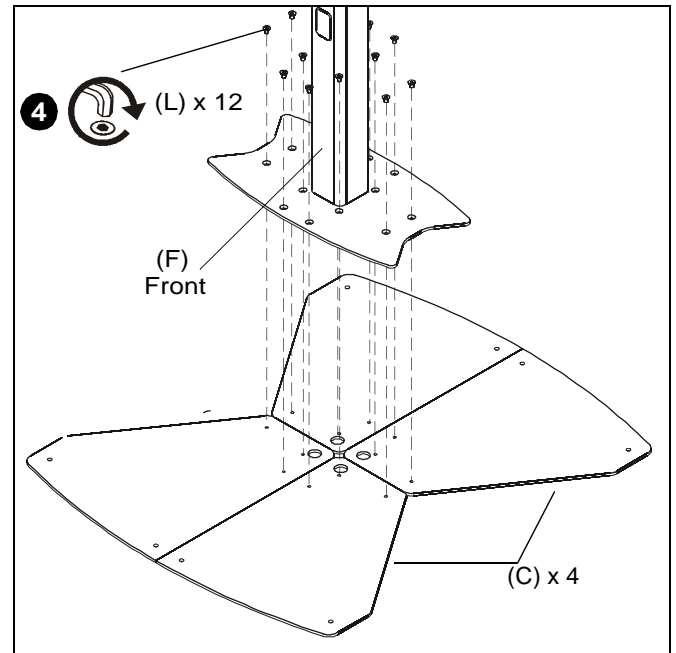


Figure 7

Attaching Single Head Assembly

IMPORTANT ! : When attaching head assembly ensure that the ClickConnect lock is at TOP of head assembly, and bracket tabs slide into the stand assembly. (See Figure 8)

1. Slide head assembly (D) or (E) into the stand assembly. (See Figure 8)
2. Attach head assembly to stand using four 5/16-18 x 3/4" button head cap screws (M). (See Figure 8)

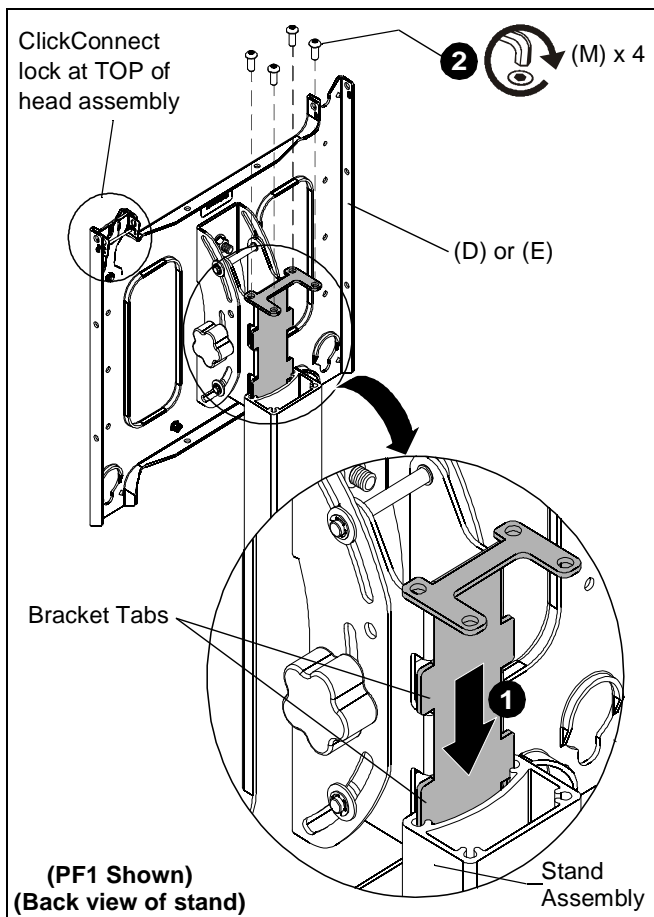


Figure 8

Attaching Dual Head Assembly

IMPORTANT ! : When attaching front head assembly ensure that the ClickConnect lock is at TOP of head assembly, and bracket tabs slide into the stand assembly. (See Figure 8)

1. Slide front head assembly (D) or (E) into the stand assembly. (See Figure 9)
2. Place back head assembly (D1) or (E1) on the back of the stand assembly, and on top of the front head assembly. (See Figure 9)
3. Use four 5/16-18 x 3/4" button head cap screws (M) to fasten through both head assemblies. (See Figure 9)

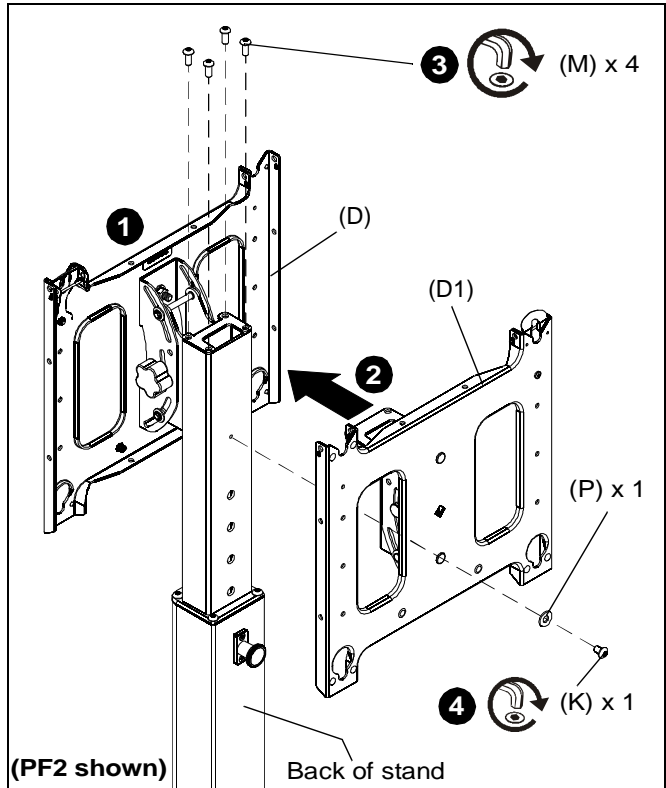


Figure 9

4. Fasten through back head assembly (D1 or E1) and back of stand assembly using one 1/4-20 x 3/8" button head cap screw (K) and one 1/4" washer (P). (See Figure 9)

Adjusting Stand Height



CAUTION: ALWAYS remove the display(s) BEFORE adjusting the height of stand.

1. Firmly grasp head assembly. (See Figure 10)

IMPORTANT ! : To avoid pinching hands, hold head assembly when adjusting stand height.

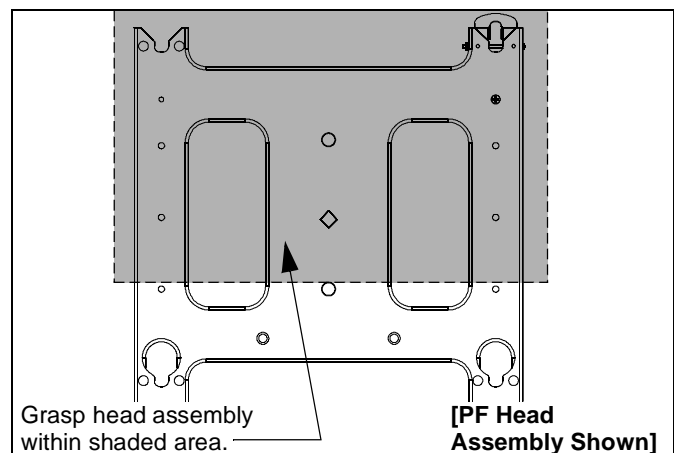


Figure 10

- Adjust the stand to the desired height by slightly lifting the head assembly, pulling out knob on the center post and turning 90° in either direction to disengage the locking mechanism. (See Figure 11)
- Raise or lower the center post, then turn the knob 90° either direction to engage the knob and lock the stand at desired height. (See Figure 11)

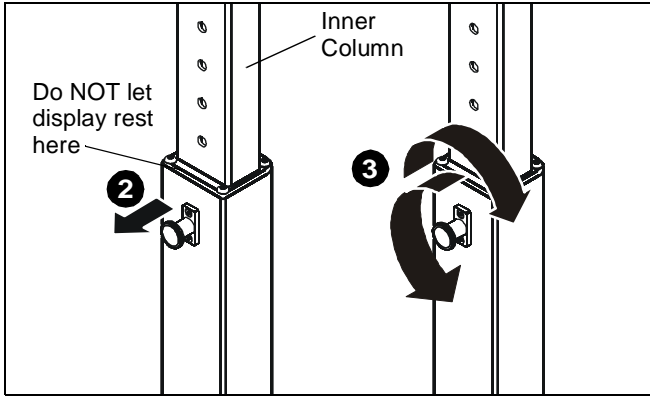


Figure 11

IMPORTANT ! : Set the height of the stand so the display does NOT rest on the lower part of the center post. (See Figure 11) Always set the height so the knob is engaged in a hole in the center post.

Attaching Display to Stand

WARNING: EXCEEDING MAXIMUM WEIGHT CAPACITY MAY LEAD TO SERIOUS PERSONAL INJURY OR DAMAGE TO EQUIPMENT! It is the installer's responsibility to ensure the total amount of weight placed on the stand does not exceed 125 lbs (56.70 kg) for the MF1, 250 lbs (113.40 kg) for the MF2 [125 lbs (56.70 kg) per faceplate]; 200 lbs (90.72 kg) for the PF1, 400 lbs (181.44 kg) for the PF2 [200 lbs (90.72 kg) per faceplate].

CAUTION: Before attaching display(s) to the stand ensure the stand is on level surface.

CAUTION: ALWAYS remove the display(s) BEFORE adjusting the height of the stand.

- Attach PSBU or MSBU interface bracket(s) to the display(s) following the instructions included with the bracket.
- While supporting both sides of display, align four mounting buttons on display or interface bracket with four mounting holes in head assembly. (See Figures 12 and 13)

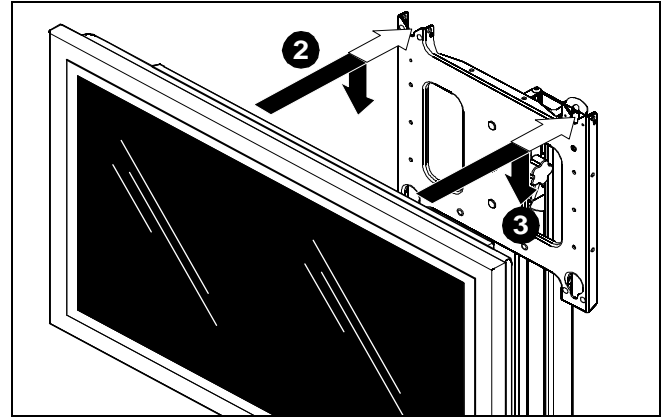


Figure 12

WARNING: EACH DISPLAY MAY WEIGH IN EXCESS OF 40 LBS! Always use two people and proper lifting techniques when installing or positioning display on stand.

- Lower display into place listening for audible "click" to ensure recessed area of mounting buttons are properly seated in lower area of mounting holes. (See Figures 12 and 13)

WARNING: IMPROPER INSTALLATION CAN LEAD TO STAND OR DISPLAY FALLING CAUSING SERIOUS PERSONAL INJURY OR DAMAGE TO EQUIPMENT! Ensure mounting buttons are completely engaged in mounting holes.

NOTE: Holes are provided in the faceplate for use with a padlock or similar locking device, if desired. In addition, the pin and nut may be removed from the upper holes and moved to the lower holes for use as a more permanent locking device. (See Figure 13)

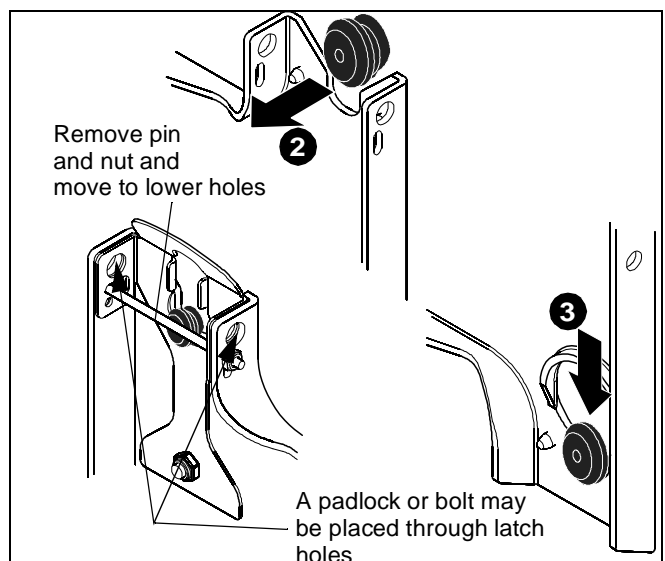


Figure 13

Tilting Display

The display(s) can be tilted up to 15° either backward or forward from a straight upright position. In a dual stand, the tilting is only restricted by the size of the display.

1. Turn knob counterclockwise on back of head assembly to loosen the tilt. (See Figure 14)

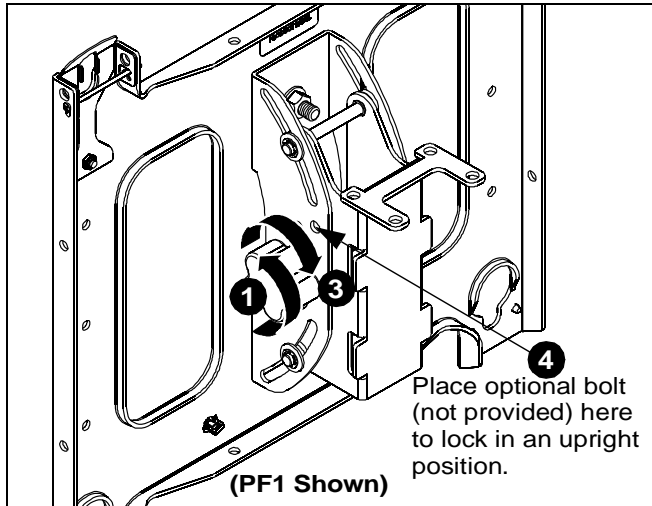


Figure 14

2. Tilt display as desired, to a maximum of 15° either forward or backward.
3. Turn knob clockwise to tighten display on head assembly. (See Figure 14)



CAUTION: Tighten knob on back of head assembly to prevent damage to the stand.

4. If leaving the display in a straight upright position, it is recommended that a bolt (not provided) be placed through the head assembly (See Figure 14) to lock the display into the upright position.

Cable Management

1. Signal cables can be run down the front flap of the center post and out the front of the post at any of the openings. (See Figure 15)
2. The display power cord can be run through the top and down through the post to exit out the back. (See Figure 15)
3. Any accessory power cords can be run through the front and down through the post to exit out the back. (See Figure 15)
4. Install the snap-on covers to any opening that is not being used. (See Figure 15)
5. To remove the snap-on covers, grip the sides of the cover in the middle and pull off. They can also be removed by inserting a flat-blade screwdriver into the bottom slot and prying them off.

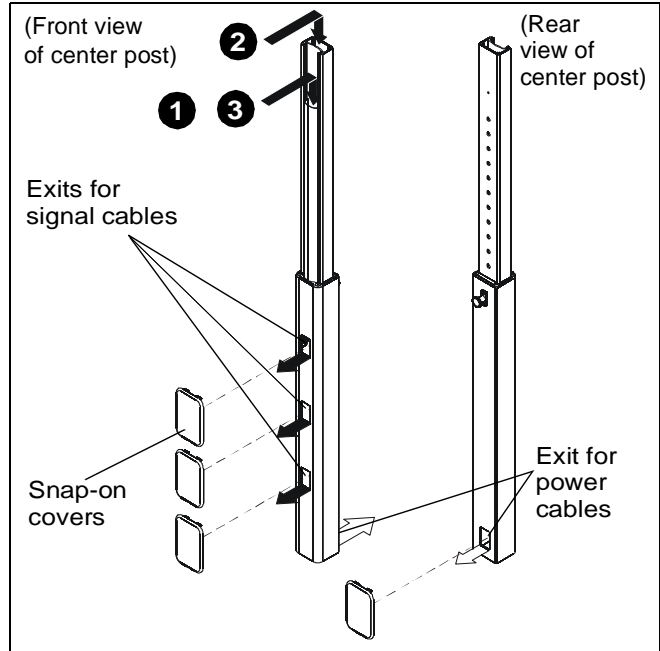


Figure 15

Attaching Stand to Floor

The floor stand may be attached to the floor for a more permanent installation.

1. Attach the floor stand to the floor using 5/16" or 3/8" fasteners (not provided) which are appropriate for the floor's construction. (See Figure 16)

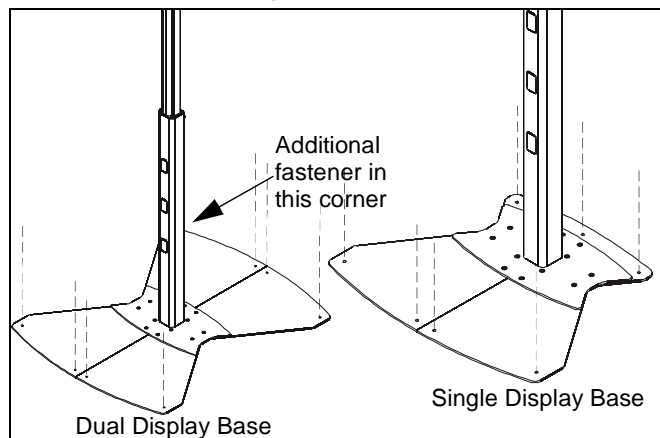


Figure 16

Using the Stand



CAUTION: This stand is intended for use only with the products and maximum weights indicated: 125 lbs (56.70 kg) for the MF1, 250 lbs (113.40 kg) for the MF2 [125 lbs (56.70 kg) per faceplate]; 200 lbs (90.72 kg) for the PF1, 400 lbs (181.44 kg) for the PF2 [200 lbs (90.72 kg) per faceplate]. Use with other products or products heavier than the maximum weights indicated may result in instability causing possible injury.



WARNING: STAND CAN TIP OVER RESULTING IN RISK OF INJURY. Never move the stand when displays are attached. Never push against the stand.

Removing Display(s) from Stand

1. Remove bolt or padlock from faceplate (if used).

NOTE: The pin may have been used as a more permanent locking device. If so, remove nut and pin and move from the lower holes to the upper holes.

2. Pull back on flag on upper mounting hole and press pin down into "Open" position. (See Figure 17)



WARNING: EACH DISPLAY MAY WEIGH IN EXCESS OF 40 LBS! Always use two people and proper lifting techniques when installing or positioning display on stand.

3. Carefully lift display(s) from stand.
4. Lift up on pin and place flag back against faceplate to return it to "Closed" position.

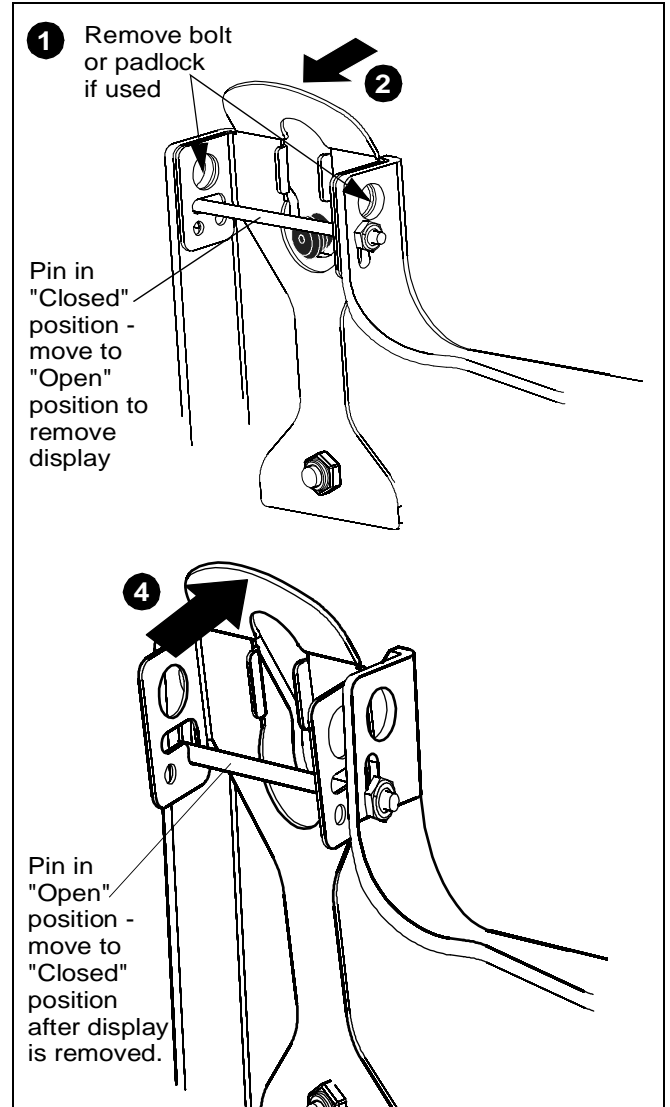


Figure 17



Our Mounts. **Your Vision.**

Chief Manufacturing, a products division
of Milestone AV Technologies

8809-000039 RevG

©2009 Milestone AV Technologies, a
Duchossois Group Company

www.chiefmfg.com

12/09

USA/International

A 8401 Eagle Creek Parkway, Savage, MN 55378

P 800.582.6480 / 952.894.6280

F 877.894.6918 / 952.894.6918

Europe

A Fellenoord 130 5611 ZB EINDHOVEN, The Netherlands

P +31 (0)40 2668620

F +31 (0)40 2668615

Asia Pacific

A Office No. 1 on 12/F, Shatin Galleria
18-24 Shan Mei Street

Fotan, Shatin, Hong Kong

P 852 2145 4099

F 852 2145 4477

