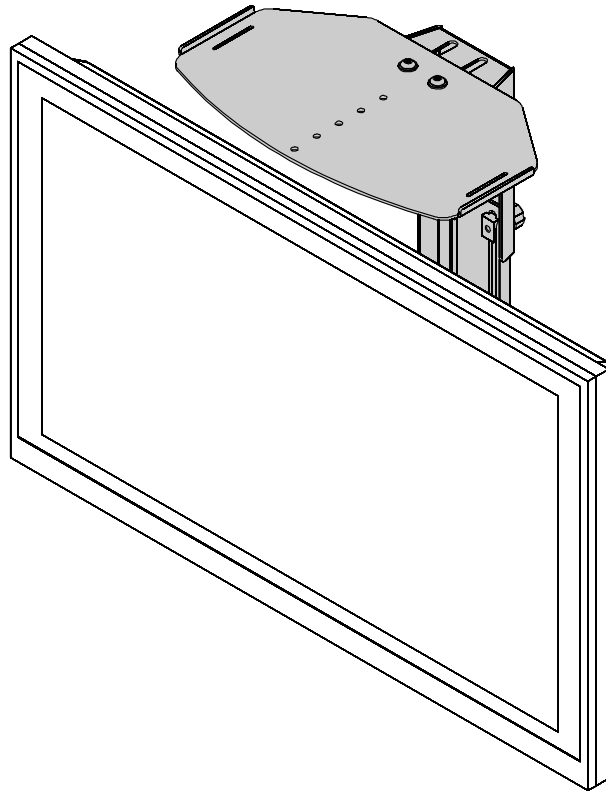

INSTALLATION INSTRUCTIONS



Video Conferencing Camera Shelf

DISCLAIMER

Milestone AV Technologies and its affiliated corporations and subsidiaries (collectively "Milestone"), intend to make this manual accurate and complete. However, Milestone makes no claim that the information contained herein covers all details, conditions or variations, nor does it provide for every possible contingency in connection with the installation or use of this product. The information contained in this document is subject to change without notice or obligation of any kind. Milestone makes no representation of warranty, expressed or implied, regarding the information contained herein. Milestone assumes no responsibility for accuracy, completeness or sufficiency of the information contained in this document.

Chief® is a registered trademark of Milestone AV Technologies. All rights reserved.

! IMPORTANT SAFETY INSTRUCTIONS!

! WARNING: A WARNING alerts you to the possibility of serious injury or death if you do not follow the instructions.

! CAUTION: A CAUTION alerts you to the possibility of damage or destruction of equipment if you do not follow the corresponding instructions.

! WARNING: Failure to read, thoroughly understand, and follow all instructions can result in serious personal injury, damage to equipment, or voiding of factory warranty! It is the installer's responsibility to make sure all components are properly assembled and installed using the instructions provided.

! WARNING: Failure to provide adequate structural strength for this component can result in serious personal injury or damage to equipment! It is the installer's responsibility to make sure the structure to which this component is attached can support five times the combined weight of all equipment. Reinforce the structure as required before installing the component.

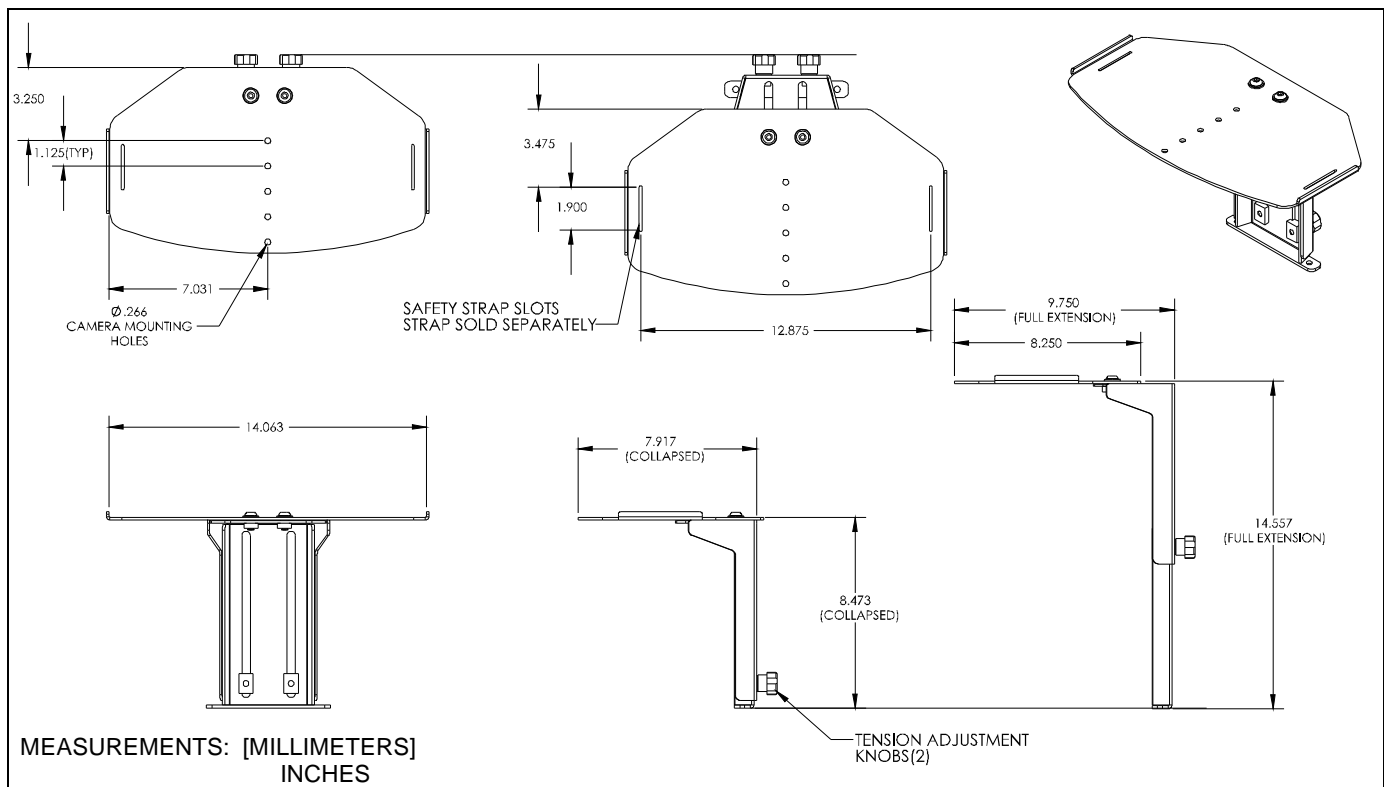
! WARNING: Exceeding the weight capacity can result in serious personal injury or damage to equipment! It is the installer's responsibility to make sure the combined weight of all equipment and accessories mounted on the PAC716 does not exceed 10 lbs (4.54 kg).

! WARNING: RISK OF INJURY TO PERSONS! Do not use this mounting system to support video equipment such as televisions or computer monitors.



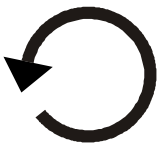









! WARNING: Do not use this product outdoors.

--SAVE THESE INSTRUCTIONS--

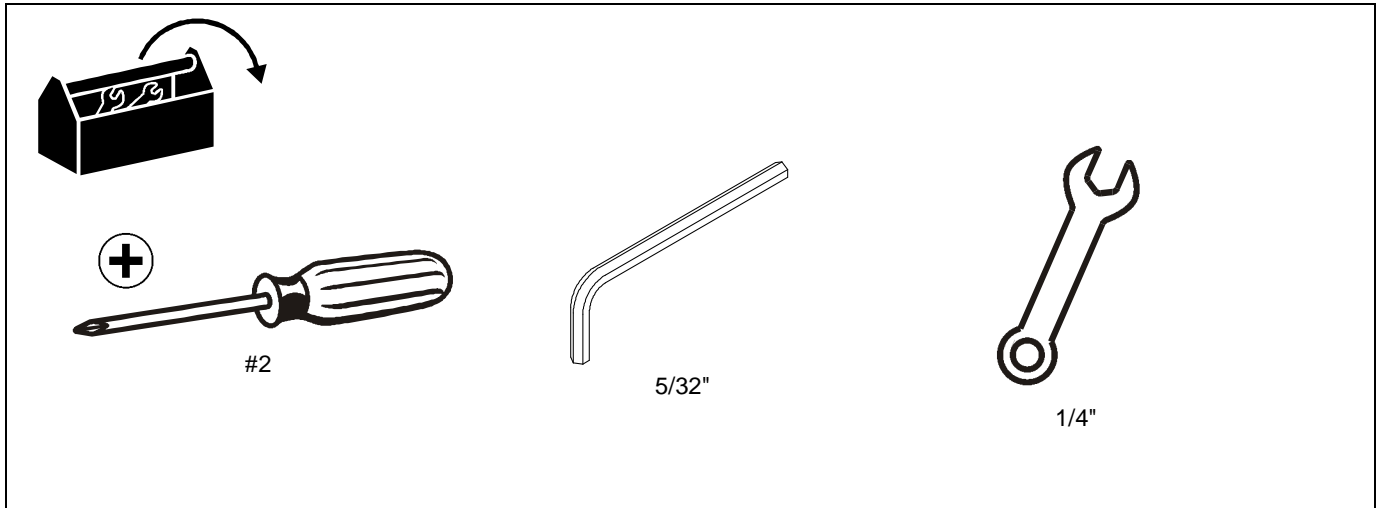
DIMENSIONS



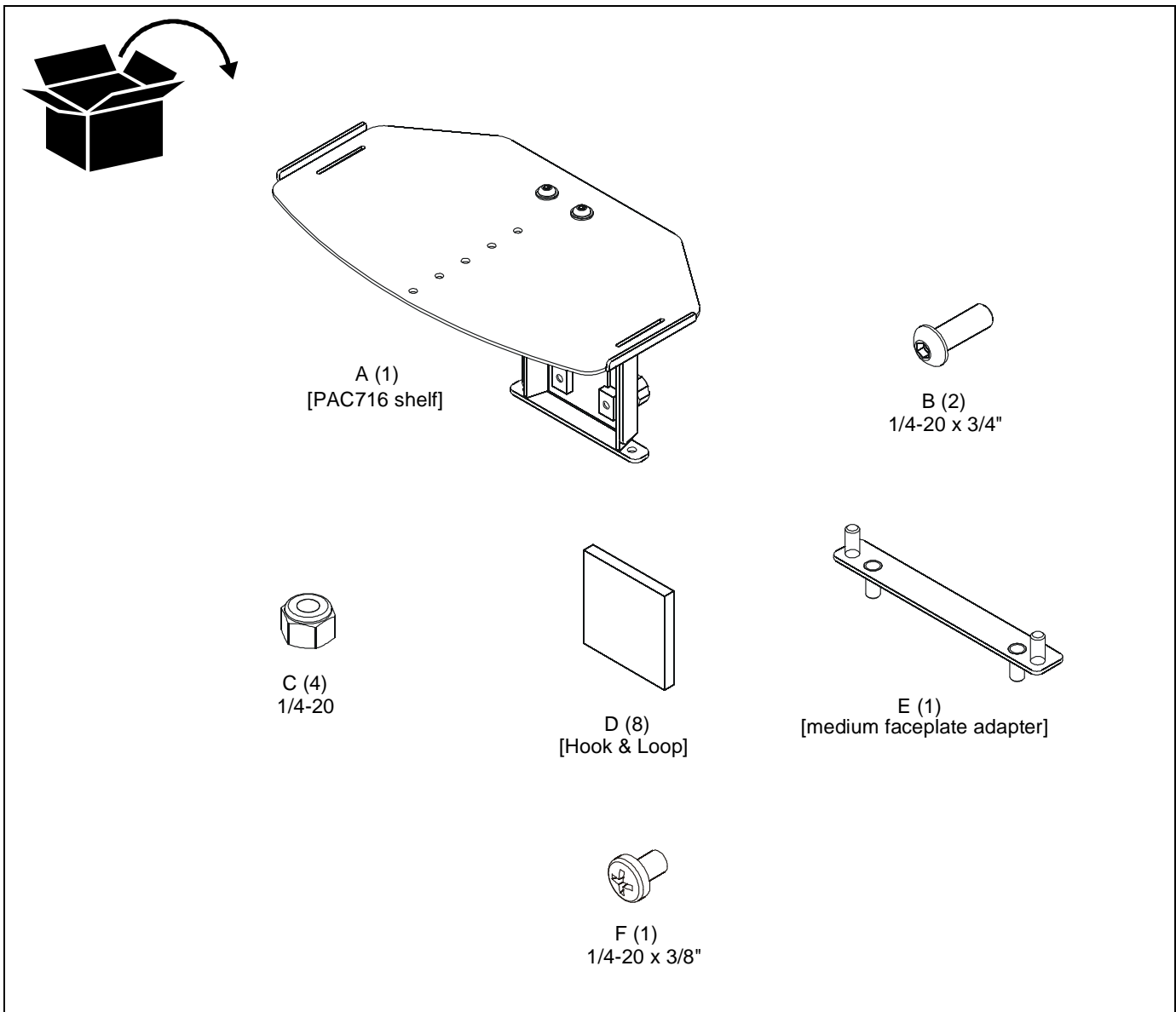
LEGEND

	<p>Tighten Fastener</p> <p>Apretar elemento de fijación</p> <p>Befestigungsteil festziehen</p> <p>Apertar fixador</p> <p>Serrare il fissaggio</p> <p>Bevestiging vastdraaien</p> <p>Serrez les fixations</p>		<p>Pencil Mark</p> <p>Marcar con lápiz</p> <p>Stiftmarkierung</p> <p>Marcar com lápis</p> <p>Segno a matita</p> <p>Potloodmerkteken</p> <p>Marquage au crayon</p>
	<p>Loosen Fastener</p> <p>Aflojar elemento de fijación</p> <p>Befestigungsteil lösen</p> <p>Desapertar fixador</p> <p>Allentare il fissaggio</p> <p>Bevestiging losdraaien</p> <p>Desserrez les fixations</p>		<p>Drill Hole</p> <p>Perforar</p> <p>Bohrloch</p> <p>Fazer furo</p> <p>Praticare un foro</p> <p>Gat boren</p> <p>Percez un trou</p>
	<p>Phillips Screwdriver</p> <p>Destornillador Phillips</p> <p>Kreuzschlitzschraubendreher</p> <p>Chave de fendas Phillips</p> <p>Cacciavite a stella</p> <p>Kruiskopschroevendraaier</p> <p>Tournevis à pointe cruciforme</p>		<p>Adjust</p> <p>Ajustar</p> <p>Einstellen</p> <p>Ajustar</p> <p>Regolare</p> <p>Afstellen</p> <p>Ajuster</p>
	<p>Open-Ended Wrench</p> <p>Llave de boca</p> <p>Gabelschlüssel</p> <p>Chave de bocas</p> <p>Chiave a punte aperte</p> <p>Steeksleutel</p> <p>Clé à fourche</p>		<p>Remove</p> <p>Quitar</p> <p>Entfernen</p> <p>Remover</p> <p>Rimuovere</p> <p>Verwijderen</p> <p>Retirez</p>
	<p>By Hand</p> <p>A mano</p> <p>Von Hand</p> <p>Com a mão</p> <p>A mano</p> <p>Met de hand</p> <p>À la main</p>		<p>Optional</p> <p>Opcional</p> <p>Optional</p> <p>Opcional</p> <p>Opzionale</p> <p>Optie</p> <p>En option</p>
	<p>Hex-Head Wrench</p> <p>Llave de cabeza hexagonal</p> <p>Sechskantschlüssel</p> <p>Chave de cabeça sextavada</p> <p>Chiave esagonale</p> <p>Zeskantsleutel</p> <p>Clé à tête hexagonale</p>		<p>Security Wrench</p> <p>Llave de seguridad</p> <p>Sicherheitsschlüssel</p> <p>Chave de segurança</p> <p>Chiave di sicurezza</p> <p>Veiligheidssleutel</p> <p>Clé de sécurité</p>

TOOLS REQUIRED FOR INSTALLATION



PARTS



Installation

NOTE: The PAC716 video conferencing shelf can be mounted before or after the display is mounted to the faceplate. It may be mounted above or below the display if mounting to a large faceplate. It may only be mounted above the display if mounting to a medium faceplate.

Attach to Large Faceplate

1. Position PAC716 shelf (A) above or below the faceplate making sure to line up the holes on the shelf with the holes on the faceplate. (See Figure 1 or 2)
2. Install two 1/4-20 x 3/4" button head cap screws (B) through holes in shelf and faceplate. (See Figure 1 or 2)
3. Thread two 1/4-20" lock nuts onto screws to fasten shelf to faceplate. (See Figure 1 or 2)

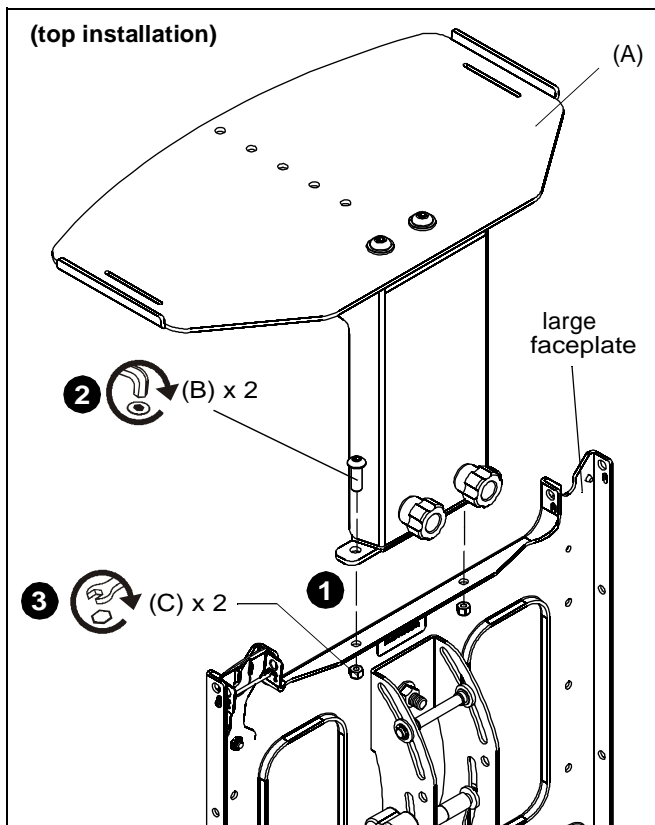


Figure 1

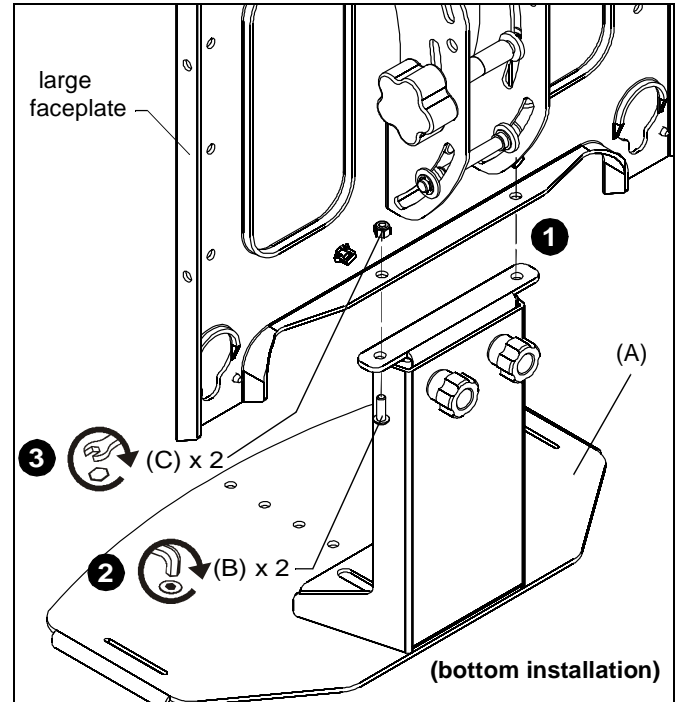


Figure 2

Attach to Medium Faceplate

NOTE: The PAC716 may only be mounted above the display when mounting to a medium faceplate.

1. Use two 1/4-20" lock nuts (C) to secure medium faceplate adapter (E) to top or bottom of medium faceplate. (See Figure 3)
2. Thread two 1/4-20" lock nuts (C) onto screws to secure shelf to medium faceplate adapter (E). (See Figure 3)

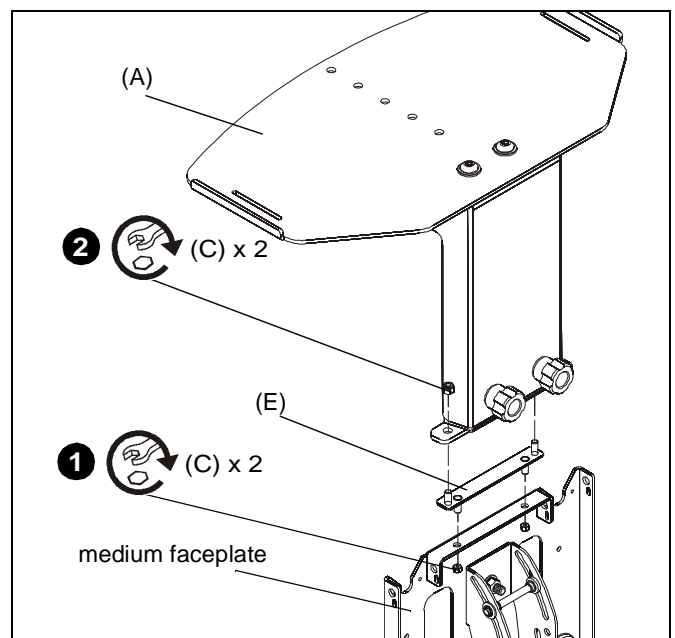


Figure 3

Camera Mounting

⚠ WARNING: Exceeding the weight capacity can result in serious personal injury or damage to equipment! It is the installer's responsibility to make sure the combined weight of all equipment and accessories mounted on the PAC716 does not exceed 10 lbs (4.54 kg).

NOTE: Mounting options will vary depending on the type of camera being mounted.

1. Install 1/4-20 x 3/8" Phillips pan machine screw (F) through one of the mounting holes on shelf and into the hole on the bottom of the camera. (See Figure 4)

NOTE: Camera can be secured to mount by threading a strap (not included) through outside slots on camera mount and around the camera.

NOTE: It is also acceptable to mount the camera directly to the shelf using the hook and loop squares (D) provided.

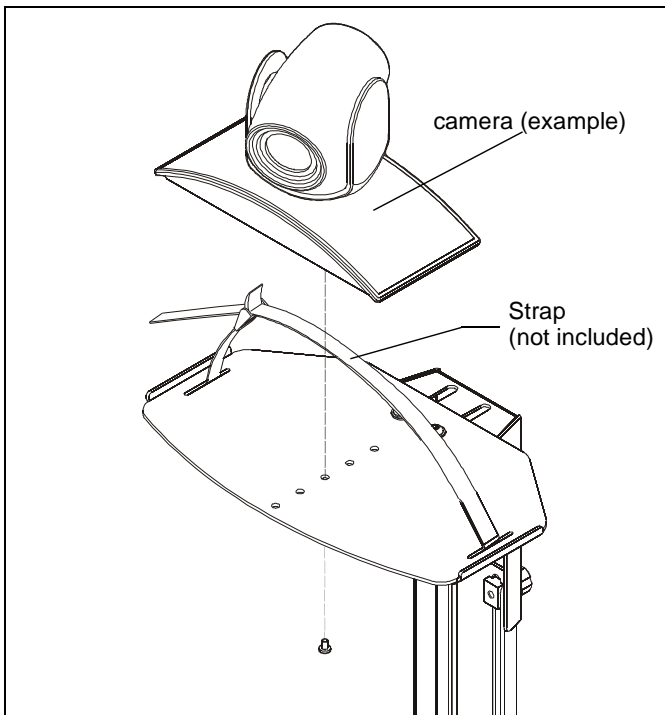


Figure 4

Adjustments

Height Adjustment

1. Loosen two adjustment knobs on the back of the PAC716 shelf (A). (See Figure 5)
2. Raise or lower shelf to desired height. (See Figure 5)
3. Tighten two adjustment knobs on the back of the shelf until mount is secure. (See Figure 5)

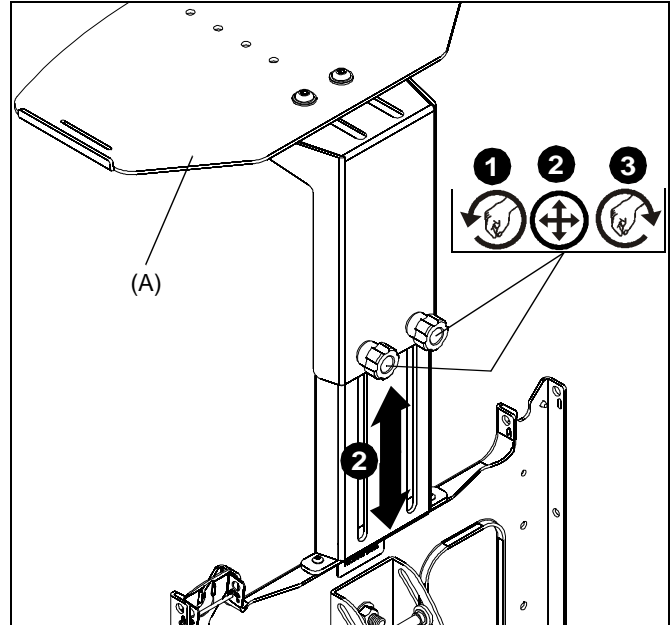


Figure 5

Shelf Extension Adjustment

1. Loosen two button head cap screws on PAC716 shelf (A). (See Figure 6)
2. Adjust shelf to desired mounting position. (See Figure 6)
3. Tighten two button head cap screws on shelf until mount is secure. (See Figure 6)

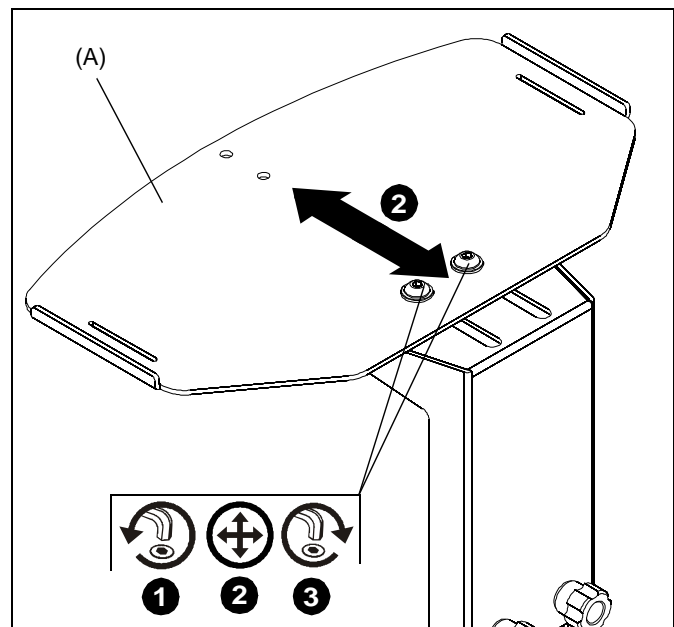


Figure 6



Our Mounts. **Your Vision.**

Chief Manufacturing, a products division
of Milestone AV Technologies

8832-002018 Rev03
©2012 Milestone AV Technologies, a
Duchossois Group Company
www.chiefmfg.com
07/12

USA/International	A 6436 City West Parkway, Eden Prairie, MN 55344 P 800.582.6480 / 952.225.6000 F 877.894.6918 / 952.894.6918
Europe	A Franklinstraat 14, 6003 DK Weert, Netherlands P +31 (0) 495 580 852 F +31 (0) 495 580 845
Asia Pacific	A Office No. 1 on 12/F, Shatin Galleria 18-24 Shan Mei Street Fotan, Shatin, Hong Kong P 852 2145 4099 F 852 2145 4477

