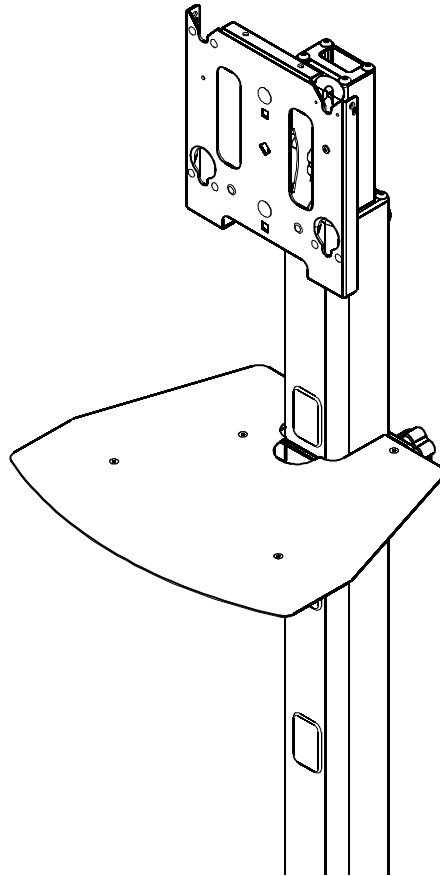

INSTALLATION INSTRUCTIONS




Shelf Accessory


DISCLAIMER


Milestone AV Technologies and its affiliated corporations and subsidiaries (collectively "Milestone"), intend to make this manual accurate and complete. However, Milestone makes no claim that the information contained herein covers all details, conditions or variations, nor does it provide for every possible contingency in connection with the installation or use of this product. The information contained in this document is subject to change without notice or obligation of any kind. Milestone makes no representation of warranty, expressed or implied, regarding the information contained herein. Milestone assumes no responsibility for accuracy, completeness or sufficiency of the information contained in this document.


Chief® is a registered trademark of Milestone AV Technologies. All rights reserved.


IMPORTANT SAFETY INSTRUCTIONS


 **WARNING:** A WARNING alerts you to the possibility of serious injury or death if you do not follow the instructions.


 **CAUTION:** A CAUTION alerts you to the possibility of damage or destruction of equipment if you do not follow the corresponding instructions.


 **WARNING:** Failure to read, thoroughly understand, and follow all instructions can result in serious personal injury, damage to equipment, or voiding of factory warranty! It is the installer's responsibility to make sure all components are properly assembled and installed using the instructions provided.


 **WARNING:** Failure to provide adequate structural strength for this component can result in serious personal injury or damage to equipment! It is the installer's responsibility to make sure the structure to which this component is attached can support five times the combined weight of all equipment. Reinforce the structure as required before installing the component.

 **WARNING:** Exceeding the weight capacity can result in serious personal injury or damage to equipment! It is the installer's responsibility to make sure the combined weight of all components attached to this accessory does not exceed 25 lbs (11.34 kg).

 **WARNING:** Use this accessory only for its intended use as described in these instructions. Do not use attachments not recommended by the manufacturer.

 **WARNING:** Never operate this accessory if it is damaged. Return the accessory to a service center for examination and repair.



 **WARNING:** Do not use this product outdoors.

 **WARNING:** RISK OF INJURY TO PERSONS! Do not use this accessory to support video equipment such as televisions or computer monitors.

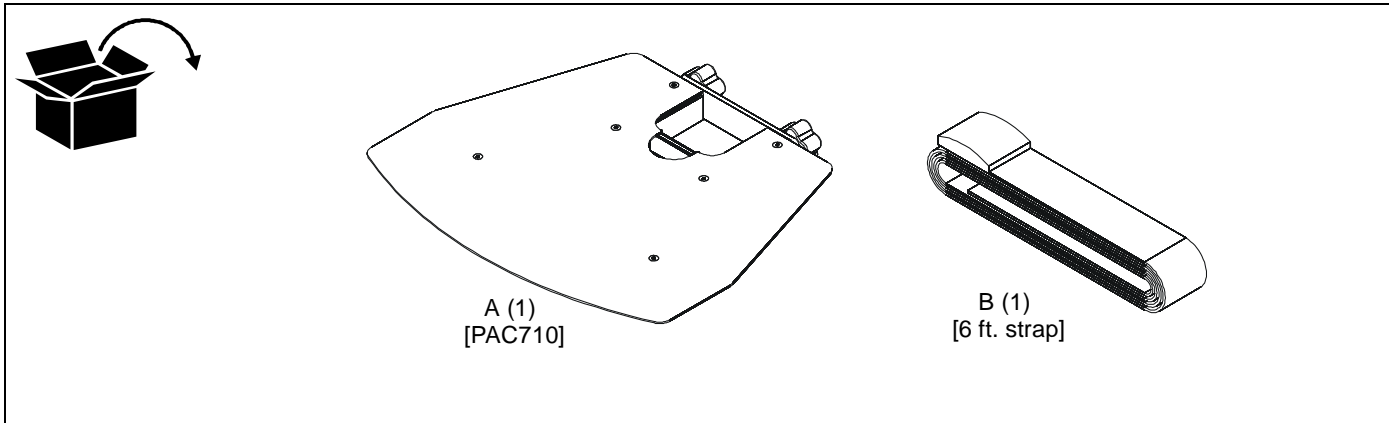
IMPORTANT ! : The PAC-710 is intended to be attached to Listed Chief MFC Series carts.

--SAVE THESE INSTRUCTIONS--

LEGEND

	Tighten Fastener		Loosen Fastener
	Apretar elemento de fijación		Aflojar elemento de fijación
	Befestigungsteil festziehen		Befestigungsteil lösen
	Apertar fixador		Desapertar fixador
	Serrare il fissaggio		Allentare il fissaggio
	Bevestiging vastdraaien		Bevestiging losdraaien
Serrez les fixations	Desserrez les fixations		

PARTS



INSTALLATION

WARNING: IMPROPER INSTALLATION CAN LEAD TO EQUIPMENT FALLING CAUSING SERIOUS PERSONAL INJURY OR DAMAGE TO EQUIPMENT! DO NOT substitute hardware! Use only hardware provided by manufacturer.

WARNING: EXCEEDING MAXIMUM WEIGHT CAPACITY MAY LEAD TO SERIOUS PERSONAL INJURY OR DAMAGE TO EQUIPMENT! It is the user's responsibility to ensure the total amount of weight placed on the shelf does not exceed 25 lbs (11.34 kg).

Shelf Installation

The PAC-710 is designed to be mounted onto the MFC Series carts. The shelf may only be installed BELOW the adjustment knob on the center post. (See Figure 1)

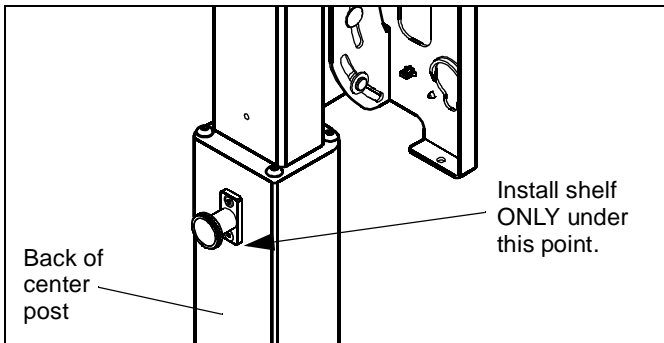


Figure 1

1. Loosen back bracket on shelf (A) by turning both knobs counterclockwise to loosen them. **Do NOT remove knobs.** (See Figure 2)

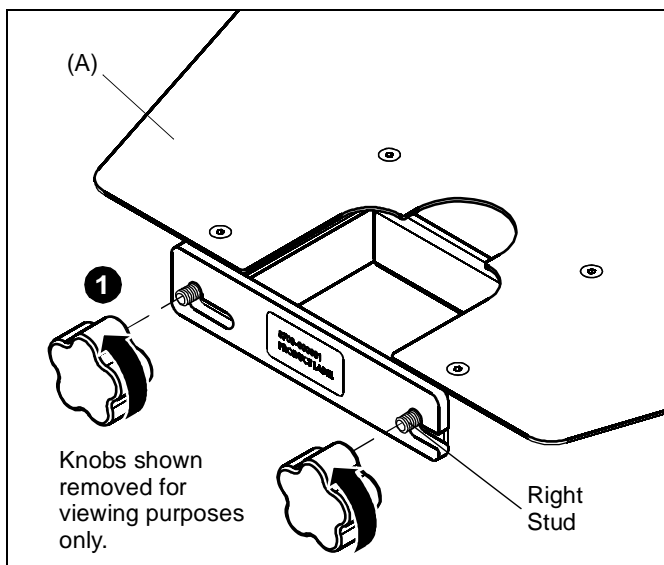


Figure 2

2. Slide bracket to the left until it disengages from the shelf's right stud. (See Figure 3)

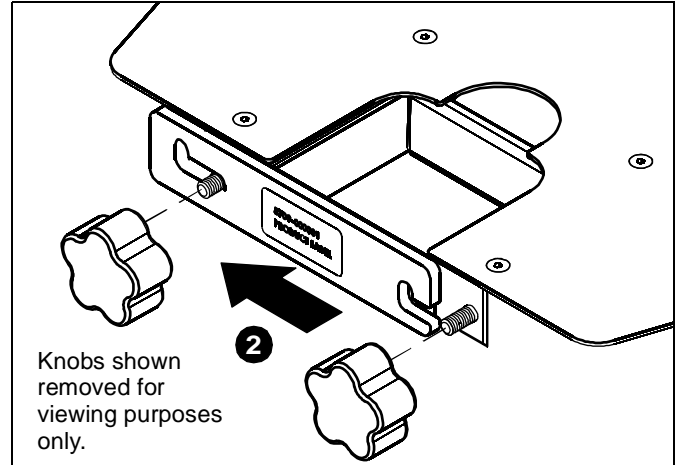


Figure 3

3. Let the bracket drop down and hang from the shelf's left stud. (See Figure 4)

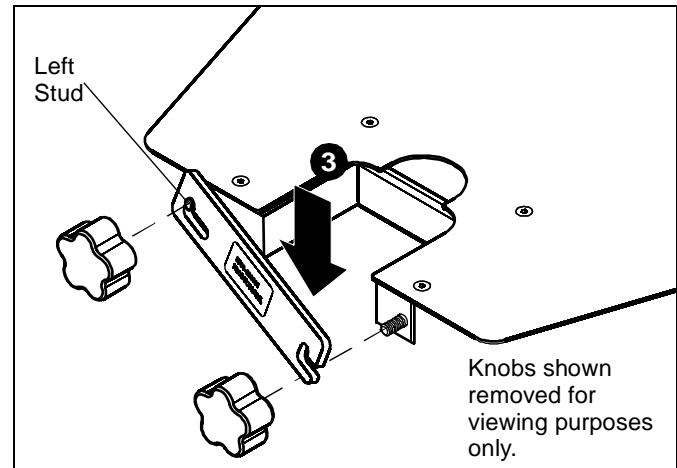


Figure 4

4. Shelf should be located directly above or directly below a cable management opening in the post. (See Figure 5)

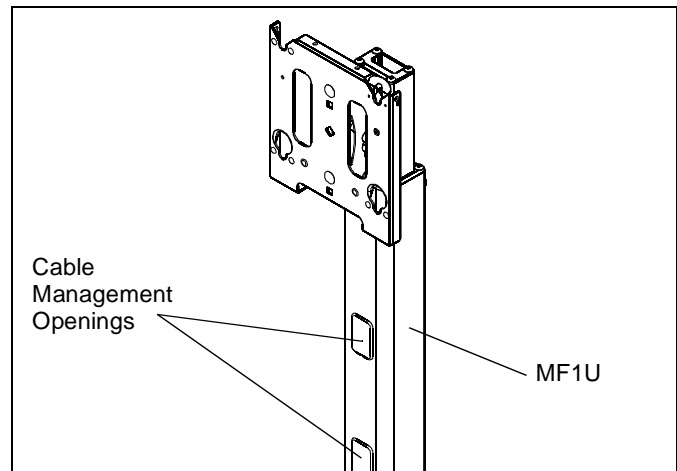


Figure 5

5. Place shelf around center post and level. (See Figure 6)
6. Raise shelf bracket and hook over shelf's right stud. (See Figure 6)

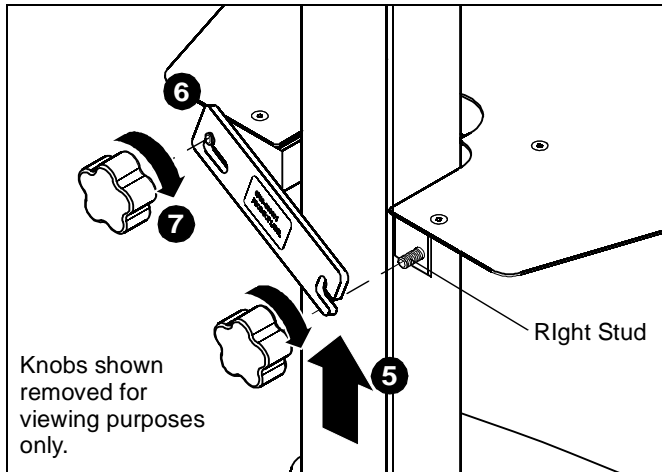


Figure 6

7. Turn both knobs clockwise to tighten the shelf in place. (See Figure 6)



CAUTION: This shelf is intended for use with equipment weighing not more than 25 lbs (11.34 kg) and having dimensions that will permit it to sit evenly on this shelf. Use with other equipment may result in instability causing possible injury.



CAUTION: Do NOT sit or hang on the shelf. Such use may result in instability causing possible injury and damage to equipment.



CAUTION: Equipment MUST be fastened to the shelf before moving the cart. If equipment is not fastened to the shelf it MUST be removed before moving the cart.

Installing Safety Strap

1. Place equipment on shelf (A).
2. Thread strap (B) through slots in shelf (A). (See Figure 7)

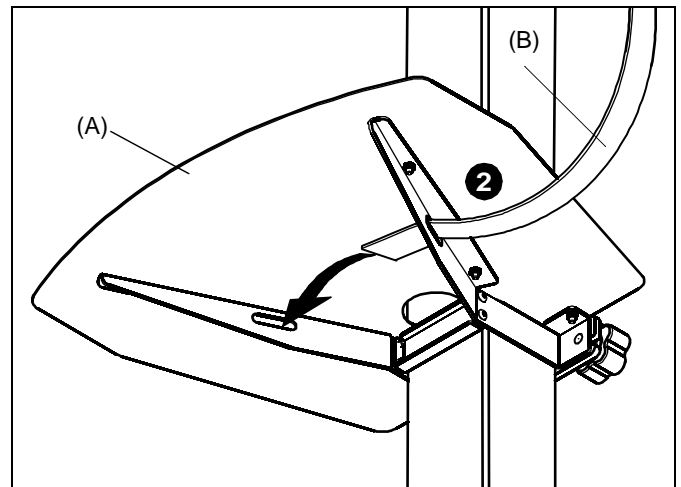


Figure 7

3. Loop strap (B) over top of equipment and slide strap end into clasp. (See Figure 8)

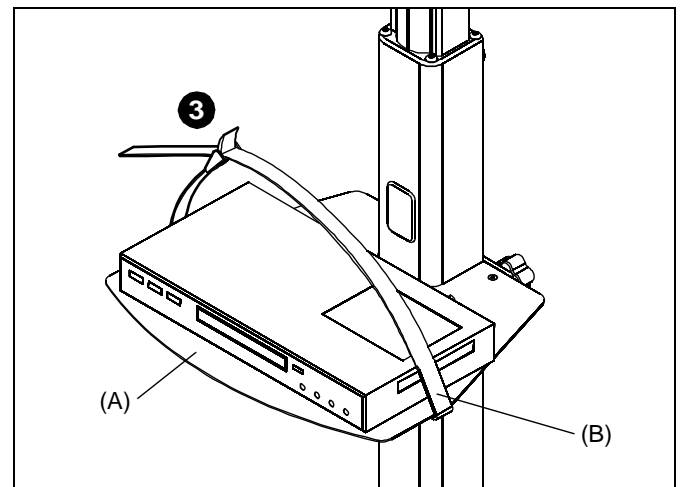


Figure 8

4. Pull strap (B) until tight around equipment and press clasp closed to secure. (See Figure 9)

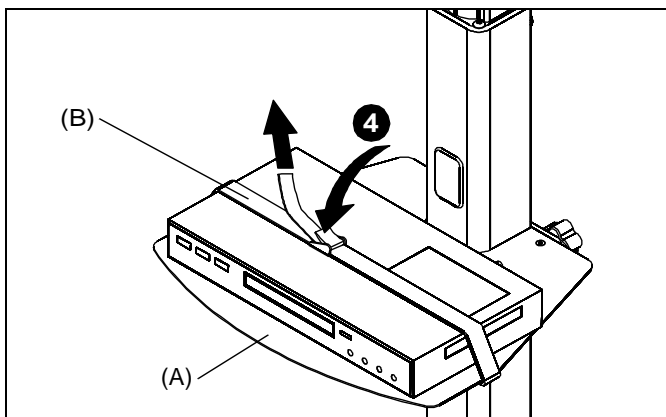


Figure 9

Cable Management

Follow cable management instructions in the cart installation instructions.



Our Mounts. **Your Vision.**

Chief, a products division of
Milestone AV Technologies

8800-002574 Rev00
©2014 Milestone AV Technologies
www.chiefmfg.com
05/14

USA/International	A 6436 City West Parkway, Eden Prairie, MN 55344 P 800.582.6480 / 952.225.6000 F 877.894.6918 / 952.894.6918
Europe	A Franklinstraat 14, 6003 DK Weert, Netherlands P +31 (0) 495 580 852 F +31 (0) 495 580 845
Asia Pacific	A Office No. 918 on 9/F, Shatin Galleria 18-24 Shan Mei Street Fotan, Shatin, Hong Kong P 852 2145 4099 F 852 2145 4477

