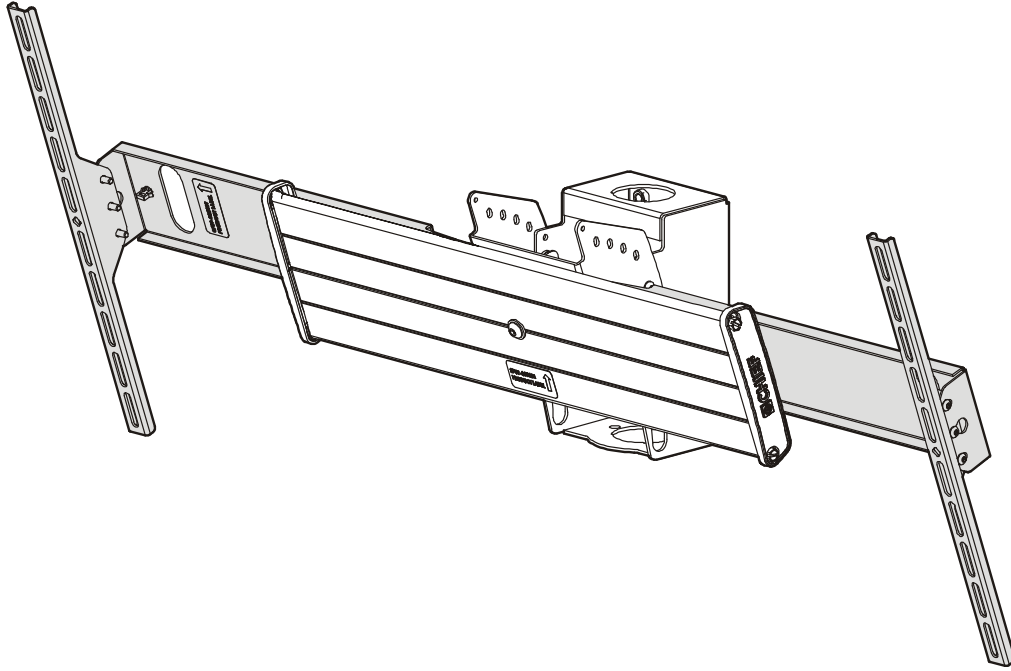

INSTALLATION INSTRUCTIONS



Side Channel Speaker Accessory

DISCLAIMER

Milestone AV Technologies and its affiliated corporations and subsidiaries (collectively "Milestone"), intend to make this manual accurate and complete. However, Milestone makes no claim that the information contained herein covers all details, conditions or variations, nor does it provide for every possible contingency in connection with the installation or use of this product. The information contained in this document is subject to change without notice or obligation of any kind. Milestone makes no representation of warranty, expressed or implied, regarding the information contained herein. Milestone assumes no responsibility for accuracy, completeness or sufficiency of the information contained in this document.

Chief® is a registered trademark of Milestone AV Technologies. All rights reserved.

! IMPORTANT SAFETY INSTRUCTIONS

! WARNING: A WARNING alerts you to the possibility of serious injury or death if you do not follow the instructions.

! CAUTION: A CAUTION alerts you to the possibility of damage or destruction of equipment if you do not follow the corresponding instructions.

! WARNING: Failure to read, thoroughly understand, and follow all instructions can result in serious personal injury, damage to equipment, or voiding of factory warranty! It is the installer's responsibility to make sure all components are properly assembled and installed using the instructions provided.

! WARNING: Exceeding the weight capacity can result in serious personal injury or damage to equipment! It is the installer's responsibility to make sure the combined weight of all components placed on the FCA535 does not exceed 20 lbs (9.1 kg) **total** [10 lbs (4.5 kg) on each end].

! WARNING: Use this mounting system only for its intended use as described in these instructions. Do not use attachments not recommended by the manufacturer.

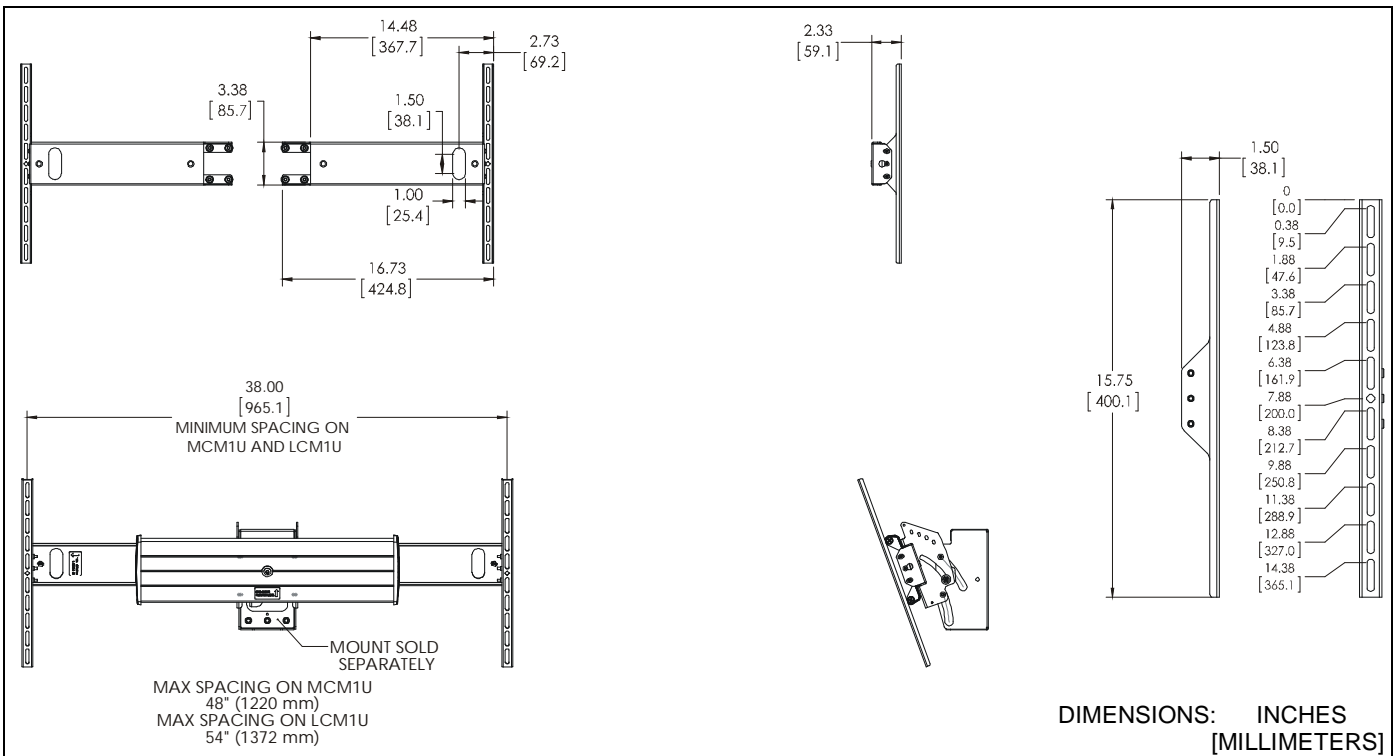
! WARNING: Never operate this mounting system if it is damaged. Return the mounting system to a service center for examination and repair.

! WARNING: Do not use this product outdoors.

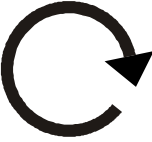

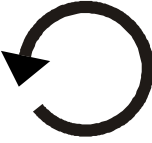


! WARNING: RISK OF INJURY TO PERSONS! Do not use this mounting system to support video equipment such as televisions or computer monitors.

--SAVE THESE INSTRUCTIONS--

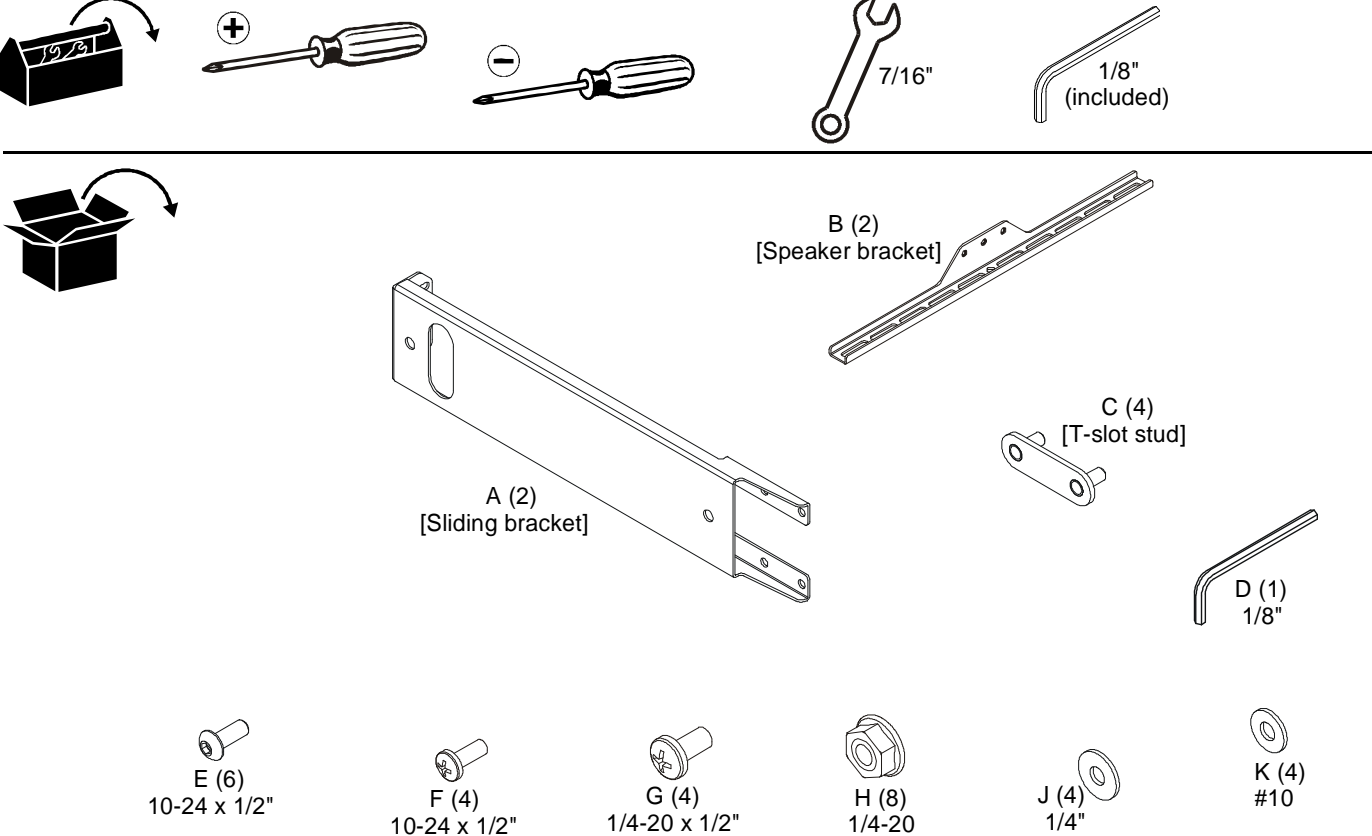
DIMENSIONS




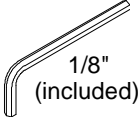



LEGEND

	Tighten Fastener		Open-Ended Wrench
	Apretar elemento de fijación		Llave de boca
	Befestigungsteil festziehen		Gabelschlüssel
	Apertar fixador		Chave de bocas
	Serrare il fissaggio		Chiave a punte aperte
	Bevestiging vastdraaien		Steeksleutel
Serrez les fixations	Clé à fourche		
	Loosen Fastener		Phillips Screwdriver
	Aflojar elemento de fijación		Destornillador Phillips
	Befestigungsteil lösen		Kreuzschlitzschraubendreher
	Desapertar fixador		Chave de fendas Phillips
	Allentare il fissaggio		Cacciavite a stella
	Bevestiging losdraaien		Kruiskopschroevendraaier
Desserrez les fixations	Tournevis à pointe cruciforme		
	Hex-Head Wrench		
	Llave de cabeza hexagonal		
	Sechskantschlüssel		
	Chave de cabeça sextavada		
	Chiave esagonale		
	Zeskantsleutel		
Clé à tête hexagonale			

TOOLS REQUIRED FOR INSTALLATION / PARTS





A (2)
[Sliding bracket]

B (2)
[Speaker bracket]

C (4)
[T-slot stud]

D (1)
1/8"

E (6)
10-24 x 1/2"

F (4)
10-24 x 1/2"

G (4)
1/4-20 x 1/2"

H (8)
1/4-20

J (4)
1/4"

K (4)
#10

ASSEMBLY AND INSTALLATION

Assembling Speaker Brackets to Speakers

1. Align center of the speaker bracket (B) with center of speaker (not included). (See Figure 2)

NOTE: The diamond-shape hole in the bracket corresponds to the center of the speaker bracket. (See Figure 2)



CAUTION: USING SCREWS OF IMPROPER SIZE MAY DAMAGE THE SPEAKER. Properly sized screws will easily and completely thread into speaker mounting holes.



CAUTION: If the screws provided with this accessory do not fit the specific speaker being installed, be sure to use correctly sized screws (not included).

2. Attach speaker brackets (B) to speakers (not included) using two 10-24 x 1/2" (F) or 1/4-20 x 1/2" (G) Phillips pan head screws (F) with #10 (K) or 1/4" (J) flat washers for each bracket. (See Figure 2)

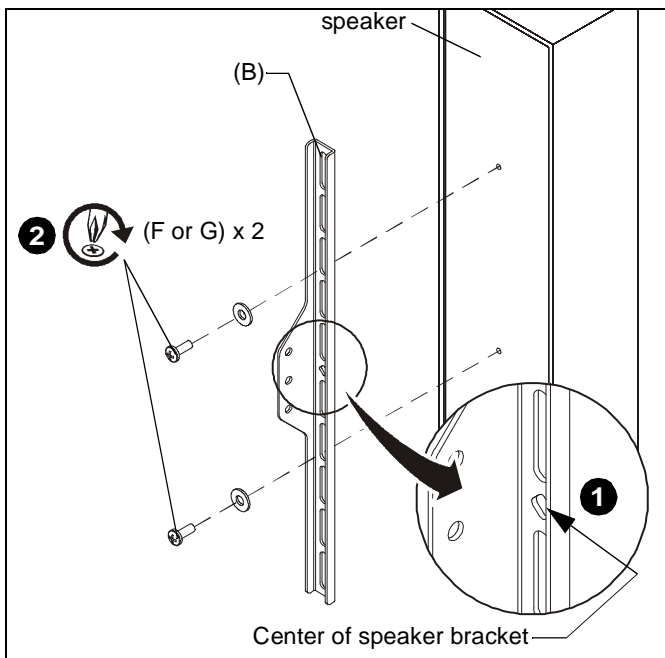


Figure 1

Installing to Mount

1. Remove two fasteners and end caps from each end of mount rail. (See Figure 2)
2. Insert two T-slot studs (C) into each end of mount rail. (See Figure 2)
3. Replace the end cap on each end of the mount.
4. Tighten two fasteners removed in Step 1 into each end cap. (See Figure 2)

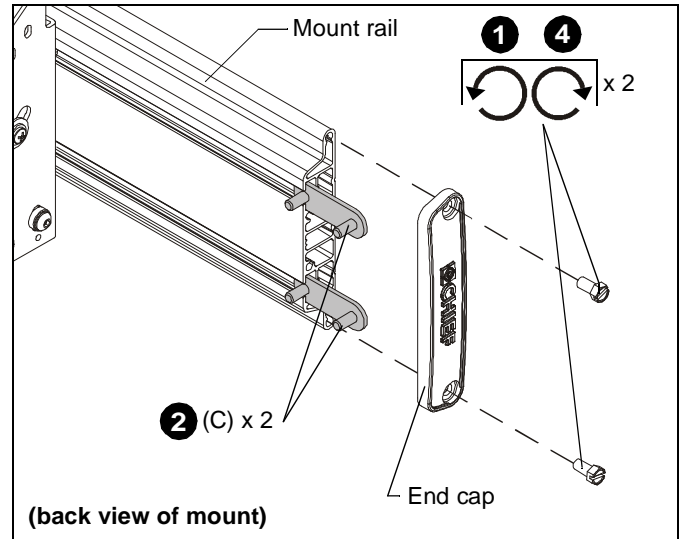


Figure 2

5. Loosely attach sliding bracket (A) to T-slot studs (C) using two 1/4-20 flange nuts (H) on each T-slot stud. (See Figure 3)
6. Repeat for other end of mount.

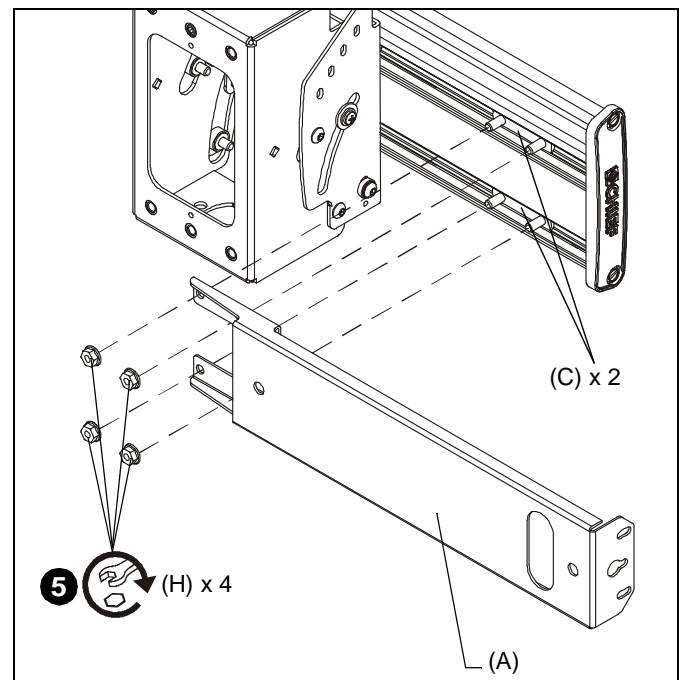


Figure 3



WARNING: Exceeding the weight capacity can result in serious personal injury or damage to equipment! It is the installer's responsibility to make sure the combined weight of speakers located on the FCA535 does not exceed 20 lbs (9.1 kg) total [10 lbs (4.5 kg) on each end].

7. Fasten speaker bracket with attached speaker to sliding bracket using three 10-24 x 1/2" buttonhead cap screws (E). (See Figure 4)

NOTE: Insert first screw through center hole, and then follow with the top hole, and finish with the bottom hole. (See Figure 4)

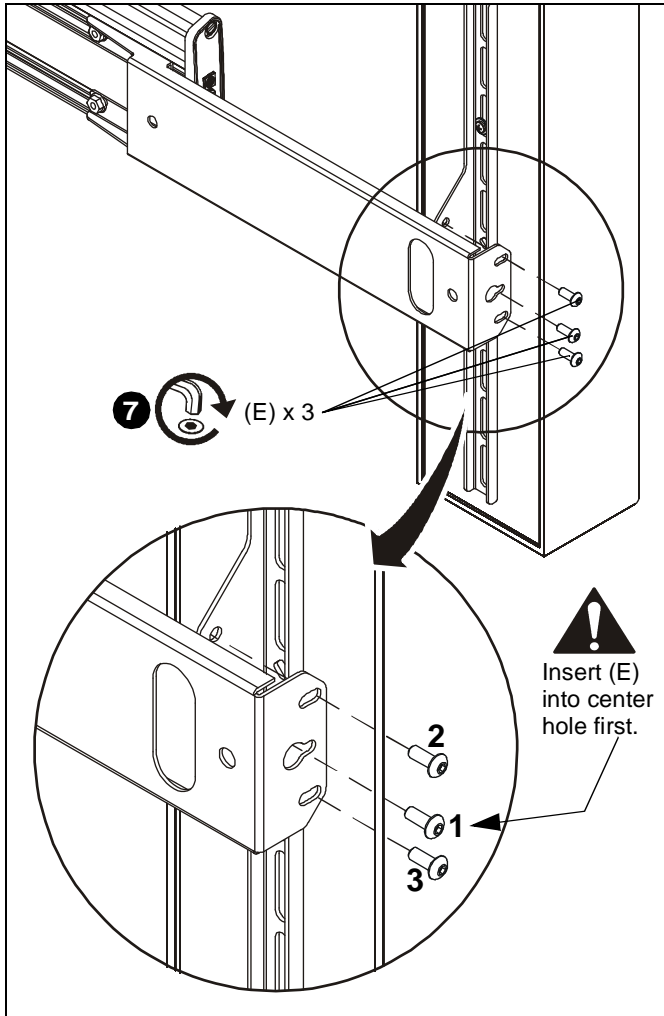


Figure 4



Our Mounts. **Your Vision.**

Chief Manufacturing, a products division
of Milestone AV Technologies

8800-002269 Rev01
©2013 Milestone AV Technologies,
a Duchossois Group Company
www.chiefmfg.com
02/13

USA/International	A 6436 City West Parkway, Eden Prairie, MN 55344 P 800.582.6480 / 952.225.6000 F 877.894.6918 / 952.894.6918
Europe	A Franklinstraat 14, 6003 DK Weert, Netherlands P +31 (0) 495 580 852 F +31 (0) 495 580 845
Asia Pacific	A Office No. 1 on 12/F, Shatin Galleria 18-24 Shan Mei Street Fotan, Shatin, Hong Kong P 852 2145 4099 F 852 2145 4477

