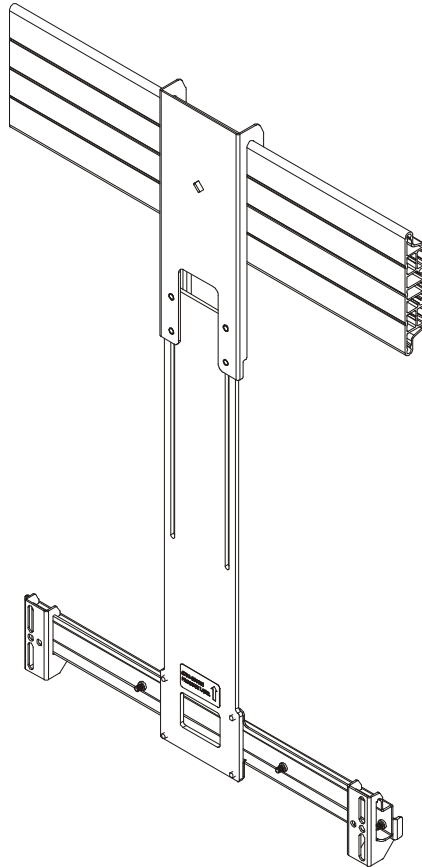

INSTALLATION INSTRUCTIONS



Center Channel Speaker Accessory

DISCLAIMER

Milestone AV Technologies and its affiliated corporations and subsidiaries (collectively "Milestone"), intend to make this manual accurate and complete. However, Milestone makes no claim that the information contained herein covers all details, conditions or variations, nor does it provide for every possible contingency in connection with the installation or use of this product. The information contained in this document is subject to change without notice or obligation of any kind. Milestone makes no representation of warranty, expressed or implied, regarding the information contained herein. Milestone assumes no responsibility for accuracy, completeness or sufficiency of the information contained in this document.

Chief® is a registered trademark of Milestone AV Technologies. All rights reserved.

! IMPORTANT SAFETY INSTRUCTIONS

! WARNING: A WARNING alerts you to the possibility of serious injury or death if you do not follow the instructions.

! CAUTION: A CAUTION alerts you to the possibility of damage or destruction of equipment if you do not follow the corresponding instructions.

! WARNING: Failure to read, thoroughly understand, and follow all instructions can result in serious personal injury, damage to equipment, or voiding of factory warranty! It is the installer's responsibility to make sure all components are properly assembled and installed using the instructions provided.

! WARNING: Exceeding the weight capacity can result in serious personal injury or damage to equipment! It is the installer's responsibility to make sure the combined weight of all components placed on the FCA530 does not exceed 20 lbs (9.1 kg).

! WARNING: Use this mounting system only for its intended use as described in these instructions. Do not use attachments not recommended by the manufacturer.

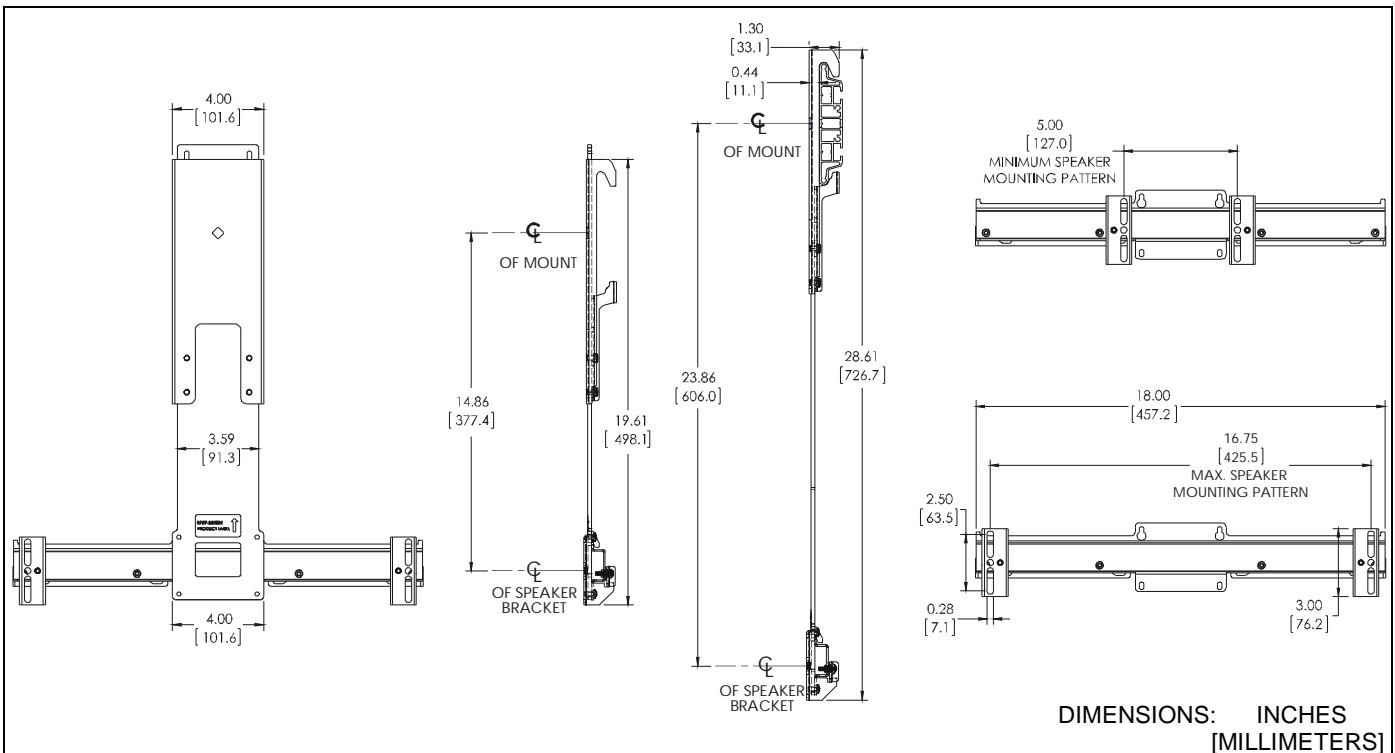
! WARNING: Never operate this mounting system if it is damaged. Return the mounting system to a service center for examination and repair.

! WARNING: Do not use this product outdoors.



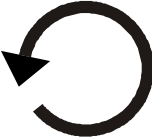

! WARNING: RISK OF INJURY TO PERSONS! Do not use this mounting system to support video equipment such as televisions or computer monitors.

--SAVE THESE INSTRUCTIONS--

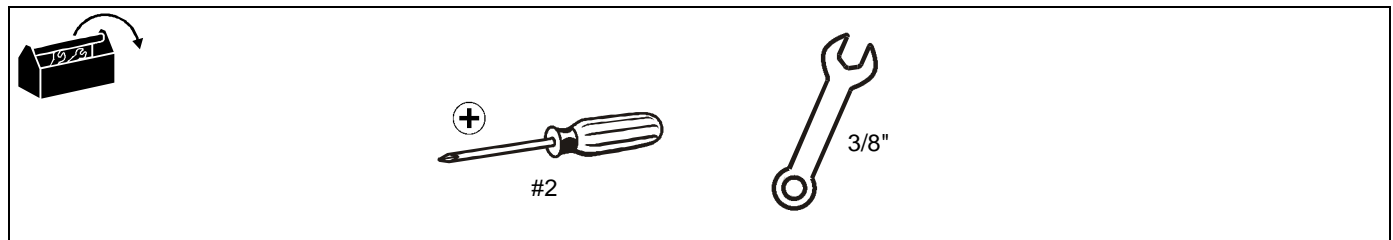
DIMENSIONS



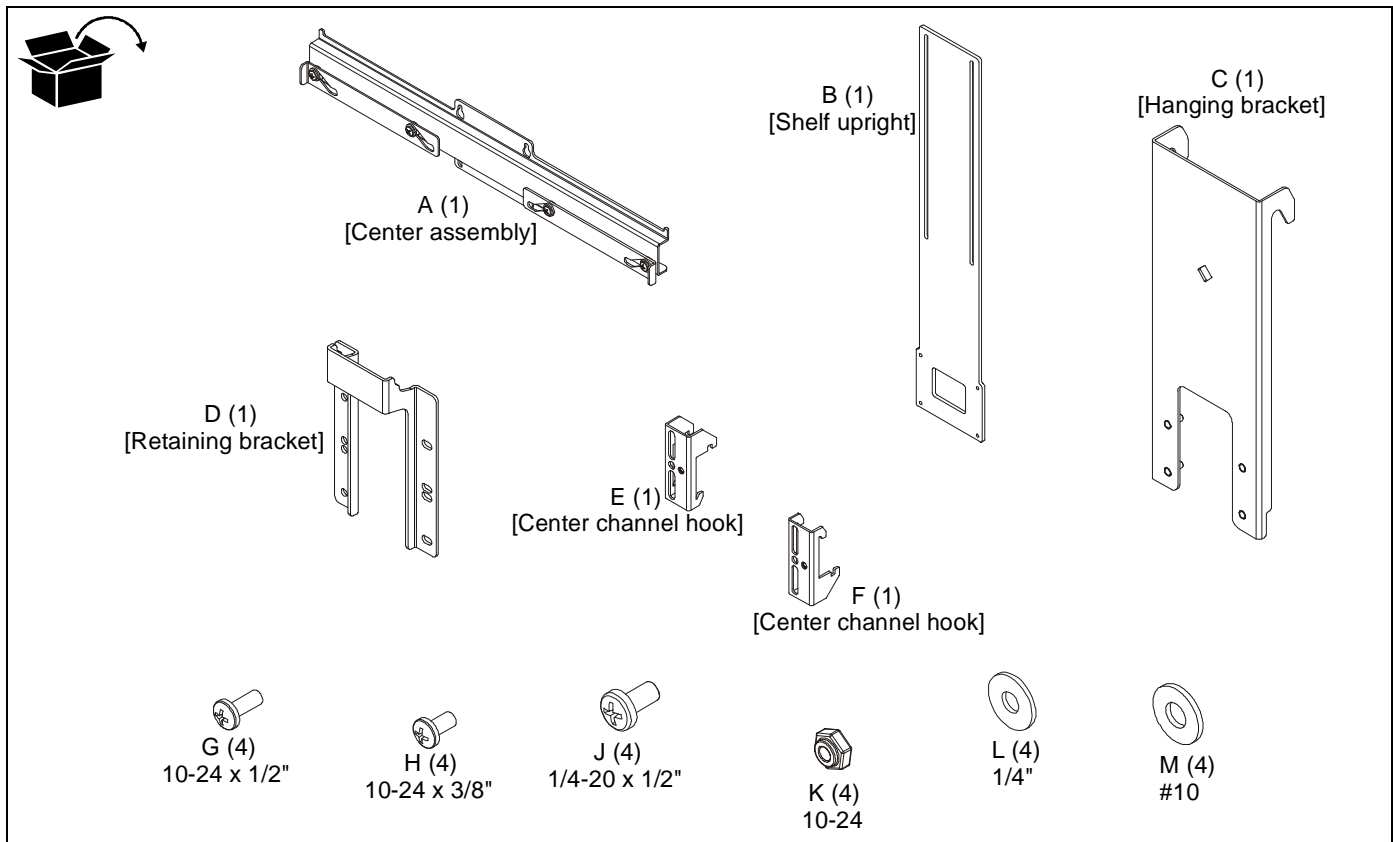
LEGEND

| | | | |
|---|-------------------------------|--|-----------------------------|
|  | Tighten Fastener |  | Open-Ended Wrench |
| | Apretar elemento de fijación | | Llave de boca |
| | Befestigungsteil festziehen | | Gabelschlüssel |
| | Apertar fixador | | Chave de bocas |
| | Serrare il fissaggio | | Chiave a punte aperte |
| | Bevestiging vastdraaien | | Steeksleutel |
| Serrez les fixations | Clé à fourche | | |
|  | Loosen Fastener |  | Phillips Screwdriver |
| | Aflojar elemento de fijación | | Destornillador Phillips |
| | Befestigungsteil lösen | | Kreuzschlitzschraubendreher |
| | Desapertar fixador | | Chave de fendas Phillips |
| | Allentare il fissaggio | | Cacciavite a stella |
| | Bevestiging losdraaien | | Kruiskopschroevendraaier |
| Desserrez les fixations | Tournevis à pointe cruciforme | | |

TOOLS REQUIRED FOR INSTALLATION



PARTS



ASSEMBLY AND INSTALLATION

Attaching Bracket and Upright to Mount

1. Lower hanging bracket (C) onto mount rail, placing hooks over mount rail. (See Figure 1)

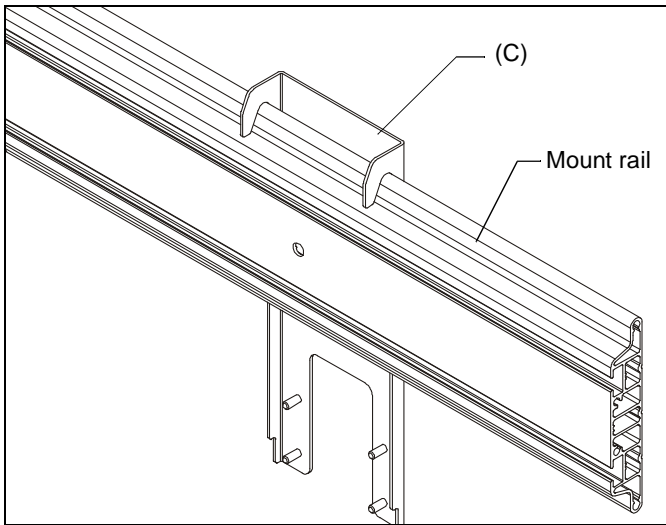


Figure 1

2. Hang shelf upright (B) onto the hanging bracket (C), placing studs on hanging bracket into slots on shelf upright. (See Figure 2)

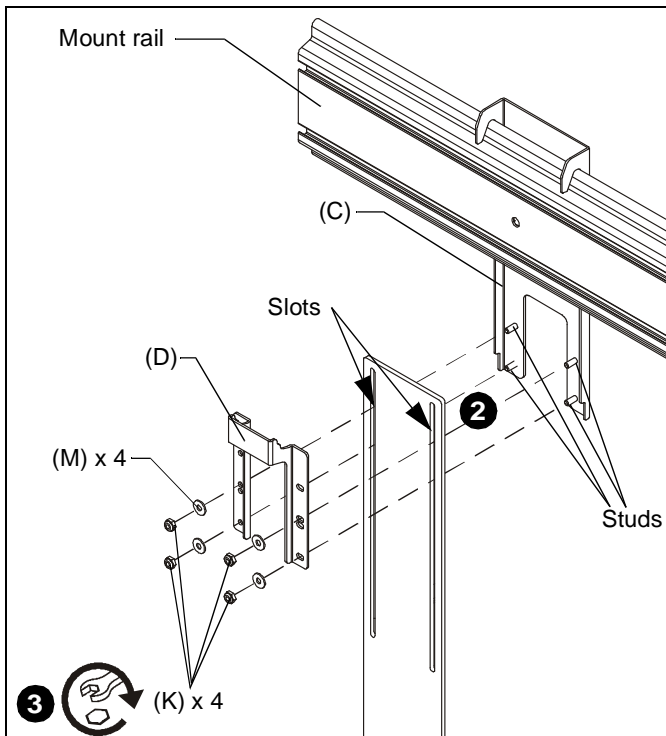


Figure 2

3. Attach retaining bracket (D) to shelf upright, pressing retaining bracket against mount rail and tightening, using four #10 washers (M) and 10-24 lock nuts (K). (See Figure 2)

Assembling Center Assembly to Upright

NOTE: If installing a taller speaker, proceed to **Optional Speaker Installations** section.

1. Partially install two 10-24 x 3/8" Phillips pan head screws (H) into the top two holes on shelf upright (B). (See Figure 3)
2. Raise center assembly (A) up to hang it on two screws inserted in Step 1. (See Figure 3)

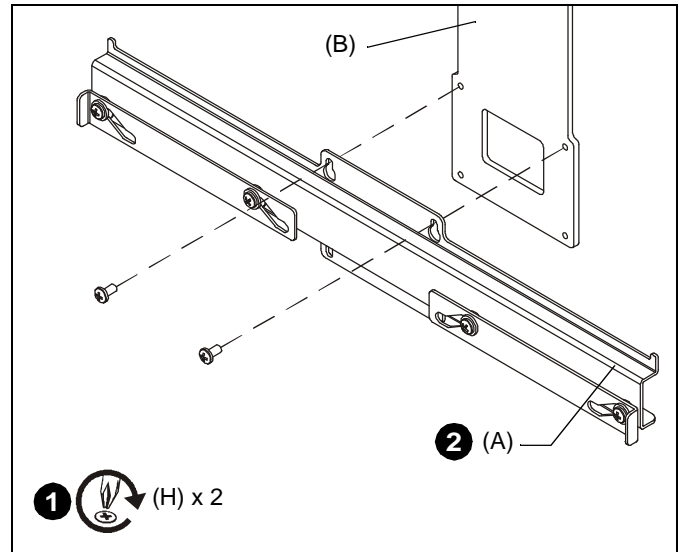


Figure 3

3. Fasten two 10-24 x 3/8" Phillips pan head screws (H) into the lower holes of center assembly (A). (See Figure 4)

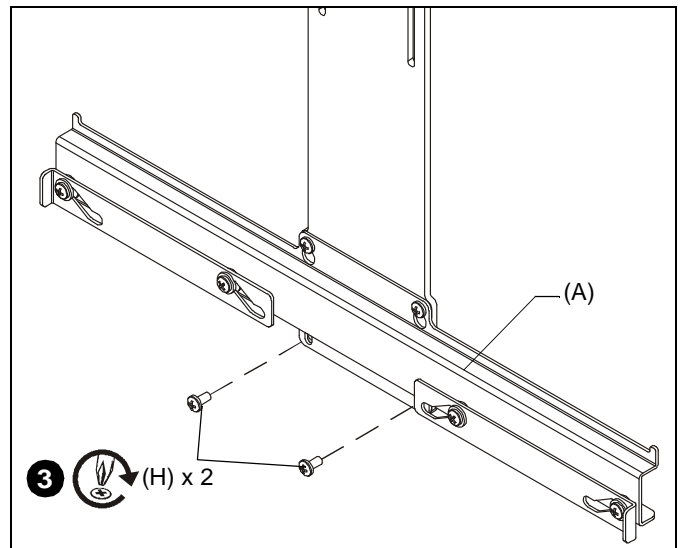


Figure 4

4. Tighten two upper screws inserted in Step 1.

Adjustments

1. Loosen two nuts on each side of retaining bracket. (See Figure 5)
2. Adjust height of center assembly, as necessary.
3. Tighten four nuts on retaining bracket.

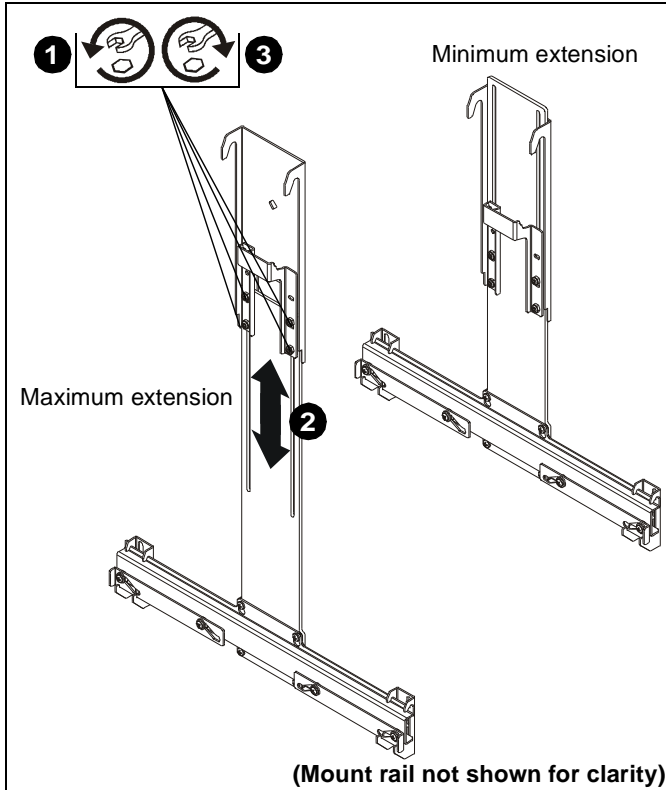


Figure 5

Installing Speakers



WARNING: Exceeding the weight capacity can result in serious personal injury or damage to equipment! It is the installer's responsibility to make sure the combined weight of speakers located on the FCA530 does not exceed 20 lbs (9.1 kg).



WARNING: USING SCREWS OF IMPROPER SIZE MAY DAMAGE THE SPEAKER. Properly sized screws will easily and completely thread into speaker mounting holes.

NOTE: If the screws provided with this accessory do not fit the specific speaker being installed, be sure to use correctly sized screws (not included).

1. Attach one center channel hook (E) to back of speaker (left side) using two 1/4-20 x 1/2" Phillips pan head screws (J) with two 1/4" washers (L). (See Figure 6)

NOTE: Ensure that longer hooks are at bottom of speaker. (See Figure 6)

2. Repeat with other end of speaker and the remaining center channel hook (F). (See Figure 6)

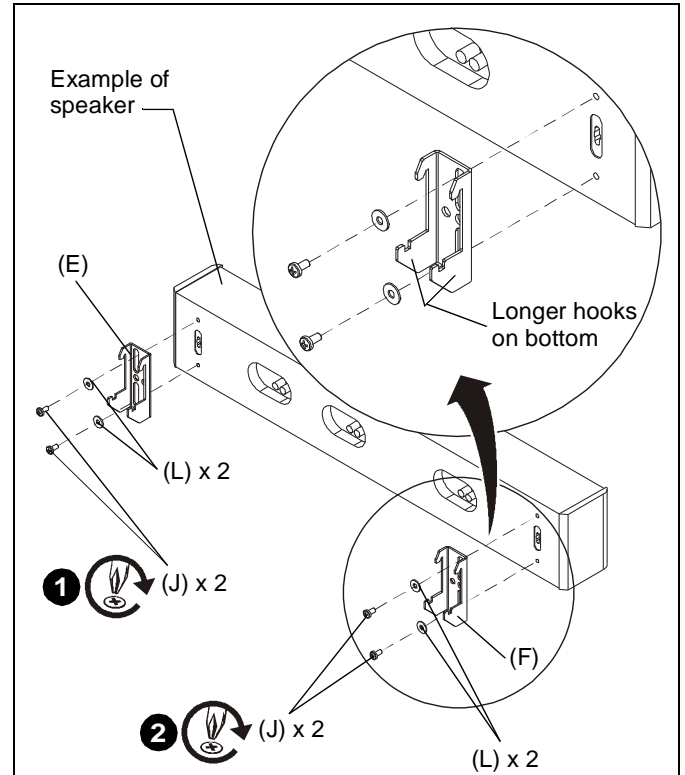


Figure 6

3. Attach speaker with attached center channel hooks (E, F) to the center assembly (A) by hanging the top hook on top of assembly, and swinging bottom of speaker in towards center assembly. (See Figure 7)

NOTE: If speaker is too tall and hits center assembly (A) when attempting to attach to assembly, remove center assembly (A) from upright and proceed to Step 3 of **Installing Tall Speakers** section.

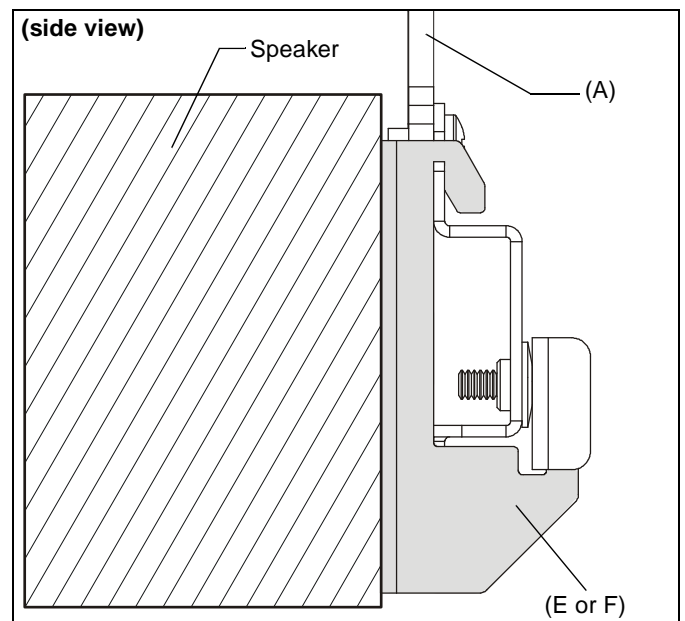


Figure 7

OPTIONAL SPEAKER INSTALLATIONS

Speaker With Teardrop Opening At Attachment Points

1. Insert two 10-24 x 1/2" Phillips pan head screws (G) into center channel hooks and hang speaker on screws. (See Figure 8)

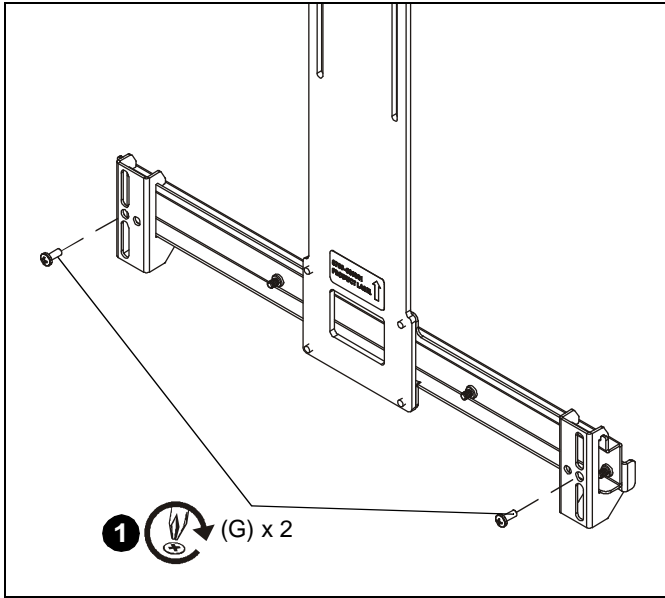


Figure 8

Installing Tall Speakers

⚠ WARNING: USING SCREWS OF IMPROPER SIZE MAY DAMAGE THE SPEAKER. Properly sized screws will easily and completely thread into speaker mounting holes.

NOTE: If the screws provided with this accessory do not fit the specific speaker being installed, be sure to use correctly sized screws (not included).

1. Attach one center channel hook (E) to back of speaker (left side) using two 1/4-20 x 1/2" Phillips pan head screws (J) with two 1/4" washers (L). (See Figure 9)

NOTE: Ensure that longer hooks are at bottom of speaker. (See Figure 9)

2. Repeat with other end of speaker and the remaining center channel hook (F). (See Figure 9)

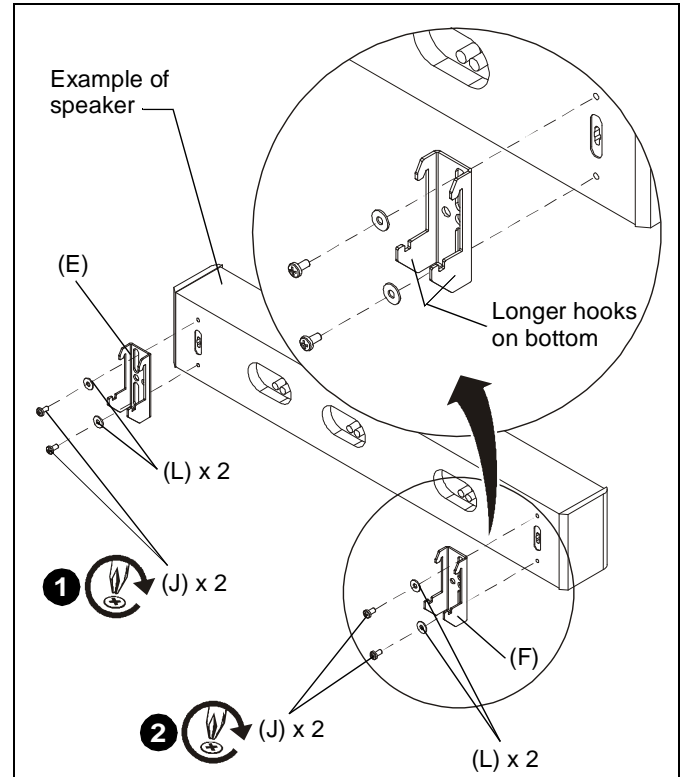


Figure 9

3. Hang speaker with center channel hooks onto center assembly (A).
4. Partially install two 10-24 x 3/8" Phillips pan head screws (H) into the top two holes on shelf upright (B). (See Figure 10)
5. Raise center assembly (A) up to hang it on two screws inserted in Step 1. (See Figure 10)

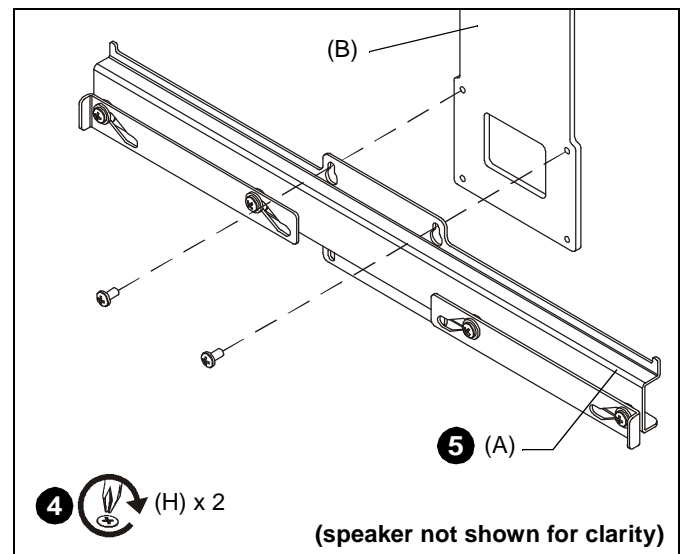


Figure 10

- Fasten two 10-24 x 3/8" Phillips pan head screws (H) into the lower holes of center assembly (A). (See Figure 11)

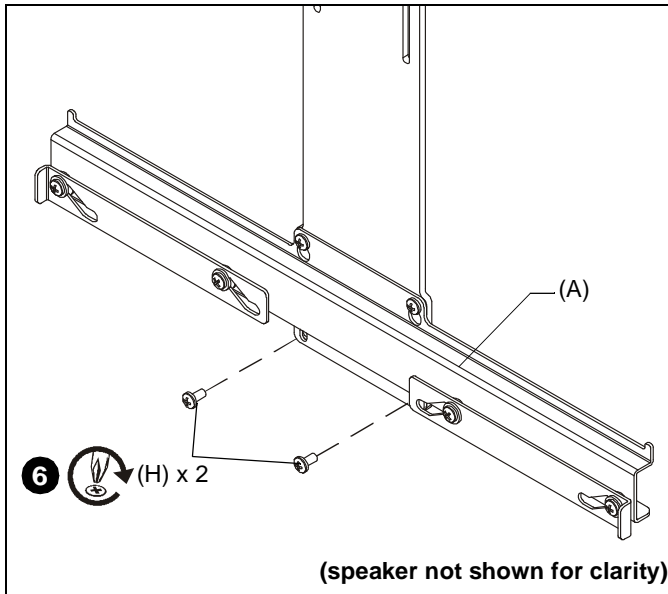


Figure 11

- Tighten two upper screws inserted in Step 1.



Our Mounts. **Your Vision.**

Chief Manufacturing, a products division
of Milestone AV Technologies

8800-002268 Rev01
©2012 Milestone AV Technologies,
a Duchossois Group Company
www.chiefmfg.com
11/12

| | |
|--------------------------|---|
| USA/International | A 6436 City West Parkway, Eden Prairie, MN 55344 P 800.582.6480 / 952.225.6000 F 877.894.6918 / 952.894.6918 |
| Europe | A Franklinstraat 14, 6003 DK Weert, Netherlands P +31 (0) 495 580 852 F +31 (0) 495 580 845 |
| Asia Pacific | A Office No. 1 on 12/F, Shatin Galleria 18-24 Shan Mei Street Fotan, Shatin, Hong Kong P 852 2145 4099 F 852 2145 4477 |

