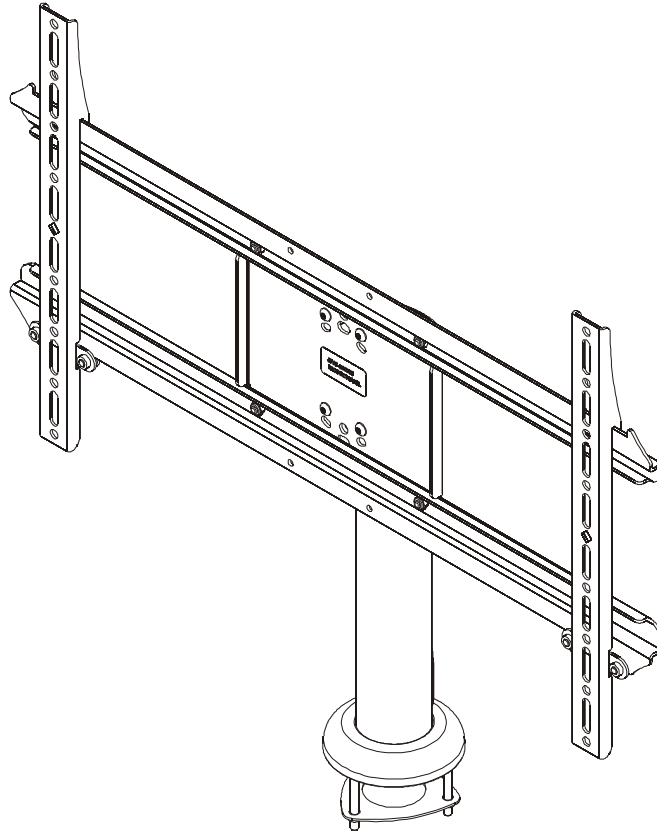

INSTALLATION INSTRUCTIONS




Large Hospitality Table Stand


DISCLAIMER


Milestone AV Technologies and its affiliated corporations and subsidiaries (collectively "Milestone"), intend to make this manual accurate and complete. However, Milestone makes no claim that the information contained herein covers all details, conditions or variations, nor does it provide for every possible contingency in connection with the installation or use of this product. The information contained in this document is subject to change without notice or obligation of any kind. Milestone makes no representation of warranty, expressed or implied, regarding the information contained herein. Milestone assumes no responsibility for accuracy, completeness or sufficiency of the information contained in this document.


Chief® is a registered trademark of Milestone AV Technologies. All rights reserved.


IMPORTANT SAFETY INSTRUCTIONS


 **WARNING:** A WARNING alerts you to the possibility of serious injury or death if you do not follow the instructions.


 **CAUTION:** A CAUTION alerts you to the possibility of damage or destruction of equipment if you do not follow the corresponding instructions.


 **WARNING:** Failure to read, thoroughly understand, and follow all instructions can result in serious personal injury, damage to equipment, or voiding of factory warranty! It is the installer's responsibility to make sure all components are properly assembled and installed using the instructions provided.


 **WARNING:** Failure to provide adequate structural strength for this component can result in serious personal injury or damage to equipment! The mounting surface must be a minimum of 3/4" in depth for medium-density fibreboard or particle board. If mounting to another type of surface, make sure surface can hold up to four times the combined weight of all equipment prior to mounting the STLU to surface!

 **WARNING:** Exceeding the weight capacity can result in serious personal injury or damage to equipment! It is the installer's responsibility to make sure the combined weight of all components located between the STLU up to (and including) the display does not exceed 125 lbs (56.7 kg). Use with products heavier than the maximum weight indicated may result in collapse of the mount and its accessories causing possible injury.

 **WARNING:** TO REDUCE THE RISK OF BURNS, FIRE, ELECTRIC SHOCK, OR INJURY TO PERSONS, rotational stop must be in place prior to display installation! If stop is not in place, the cables may be damaged if the display is over-rotated! Always make sure rotational stop is in place before proceeding with installation!

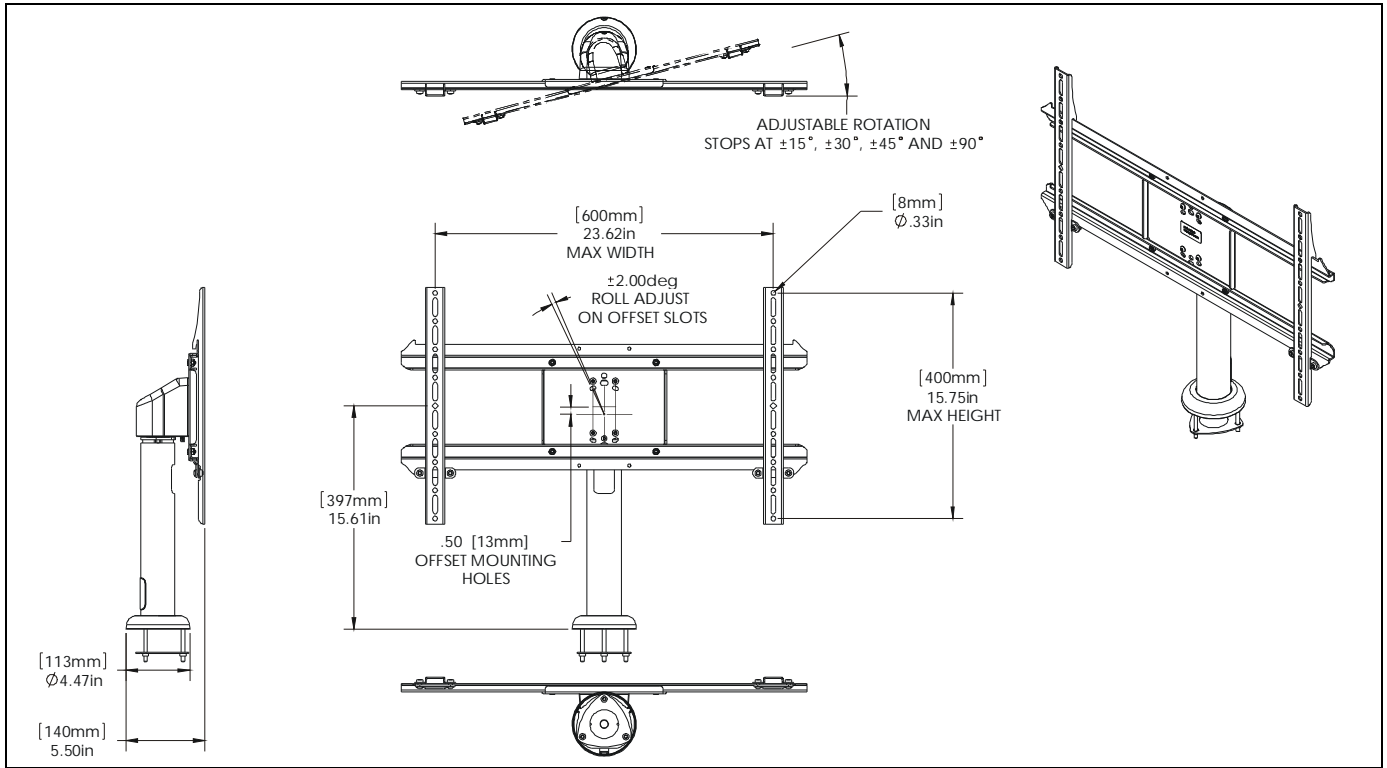
 **WARNING:** Use this mounting system only for its intended use as described in these instructions. Do not use attachments not recommended by the manufacturer.

 **WARNING:** Never operate this mounting system if it is damaged. Return the mounting system to a service center for examination and repair.

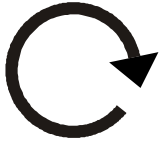

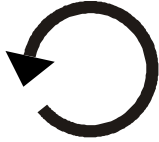


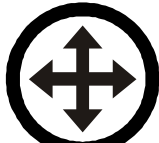






 **WARNING:** Do not use this product outdoors.

--SAVE THESE INSTRUCTIONS--

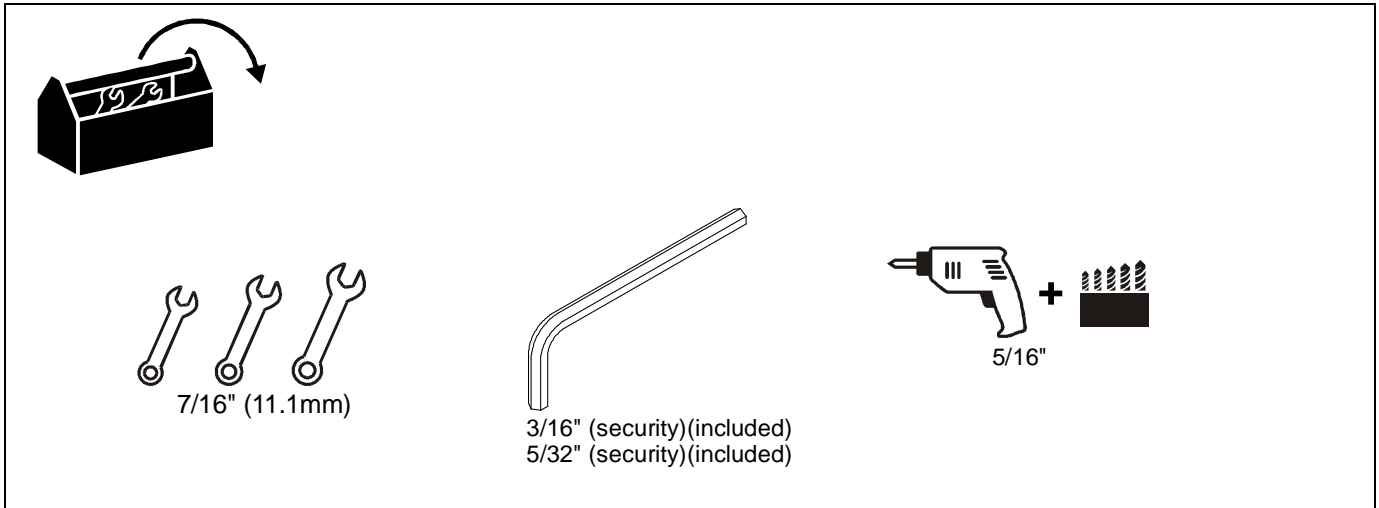
DIMENSIONS



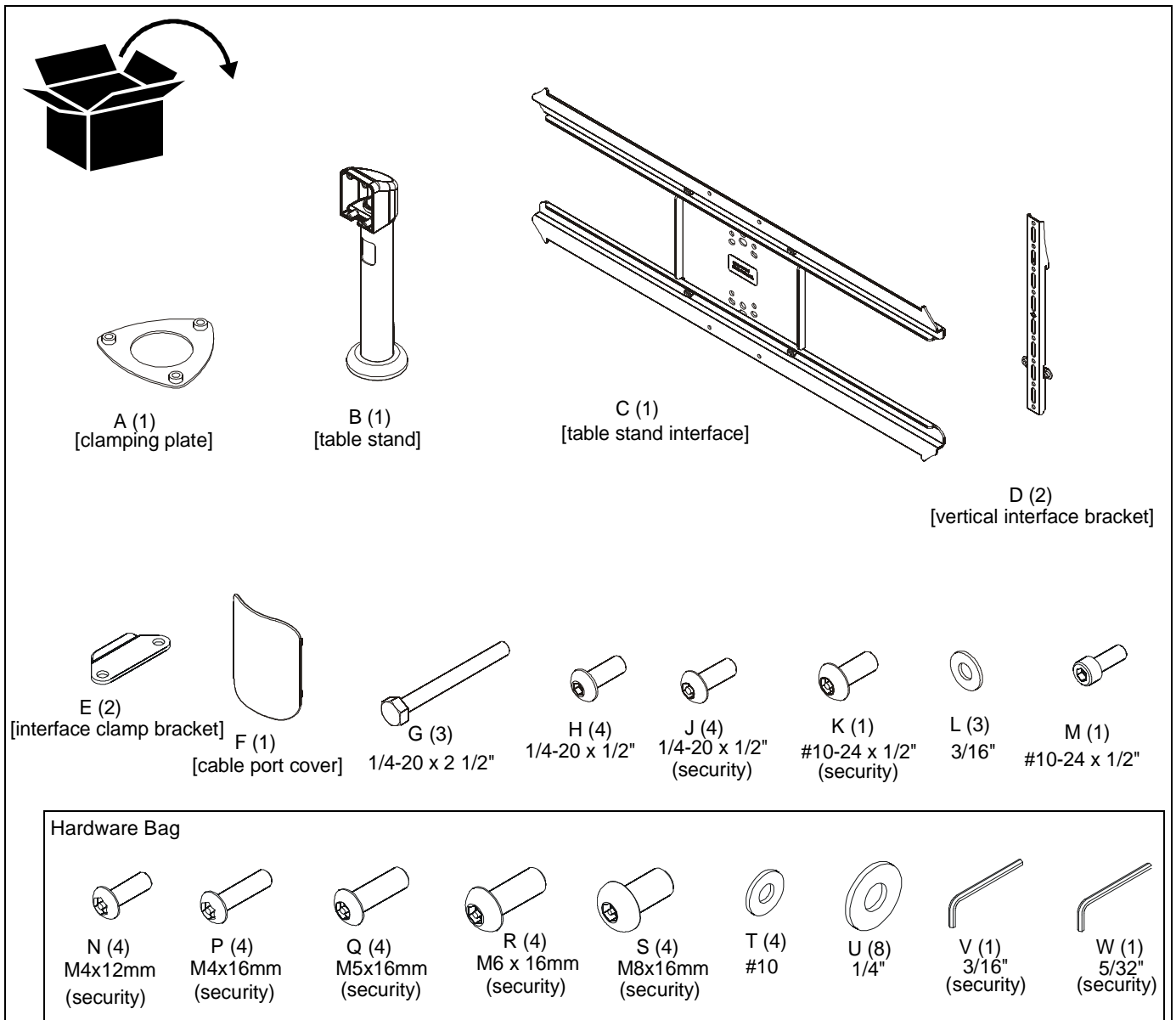
LEGEND

	Tighten Fastener Apretar elemento de fijación Befestigungsteil festziehen Apertar fixador Serrare il fissaggio Bevestiging vastdraaien Serrez les fixations		Pencil Mark Marcar con lápiz Stiftmarkierung Marcar com lápis Segno a matita Potloodmerkteken Marquage au crayon
	Loosen Fastener Aflojar elemento de fijación Befestigungsteil lösen Desapertar fixador Allentare il fissaggio Bevestiging losdraaien Desserrez les fixations		Drill Hole Perforar Bohrloch Fazer furo Praticare un foro Gat boren Percez un trou
	Phillips Screwdriver Destornillador Phillips Kreuzschlitzschraubendreher Chave de fendas Phillips Cacciavite a stella Kruiskopschroevendraaier Tournevis à pointe cruciforme		Adjust Ajustar Einstellen Ajustar Regolare Afstellen Ajuster
	Open-Ended Wrench Llave de boca Gabelschlüssel Chave de bocas Chiave a punte aperte Steeksleutel Clé à fourche		Remove Quitar Entfernen Remover Rimuovere Verwijderen Retirez
	By Hand A mano Von Hand Com a mão A mano Met de hand À la main		Optional Opcional Optional Opcional Opzionale Optie En option
	Hex-Head Wrench Llave de cabeza hexagonal Sechskantschlüssel Chave de cabeça sextavada Chiave esagonale Zeskantsleutel Clé à tête hexagonale		Security Wrench Llave de seguridad Sicherheitsschlüssel Chave de segurança Chiave di sicurezza Veiligheidsleutel Clé de sécurité

TOOLS REQUIRED FOR INSTALLATION



PARTS



Assembly to Desk

1. Use four 1/4-20 x 1/2" button head cap screws (H) to secure table stand (B) to table stand interface (C). (See Figure 1)

NOTE: If roll adjustment is desired, install through screws through rotational slots rather than the standard slots. (See Figure 1)

NOTE: In order to achieve a +/- 90° rotation radius while using the rotational slots, the rotational stop adjustment screw must be removed and replaced with #10-24 x 1/2" socket head cap screw (M). (See Figure 1)

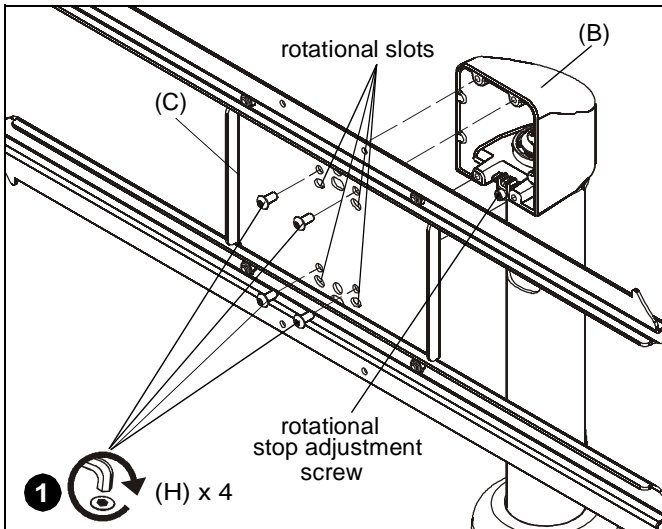


Figure 1

2. Determine mounting location by setting table stand on desk and experimenting with desired rotation capabilities.

NOTE: Rotation radius can be set to be either +/- 15°, 30°, 45°, or 90°. See Dimensions graphic for details.

3. Use clamping plate (A) as a template to mark locations for the three holes to be drilled at desired mounting location.



WARNING: Failure to provide adequate structural strength for this component can result in serious personal injury or damage to equipment! The mounting surface must be a minimum of 3/4" in depth for medium-density fibreboard or particle board. If mounting to another type of surface, make sure surface can hold up to four times the combined weight of all equipment prior to mounting the STLU to surface!

4. Drill three 5/16" holes at locations marked in Step 3. (See Figure 2)

NOTE: If cables are going to be routed through the table, an additional hole needs to be drilled in center of clamping plate (A). See Cable Management Section for details.

5. (Optional) If cables are going to be routed through the desk, drill an additional hole in the center of the clamping plate that is large enough to account for all cables that will be routed through the desk. (See Figure 2)

NOTE: One hole should be centered at the front of the mount.

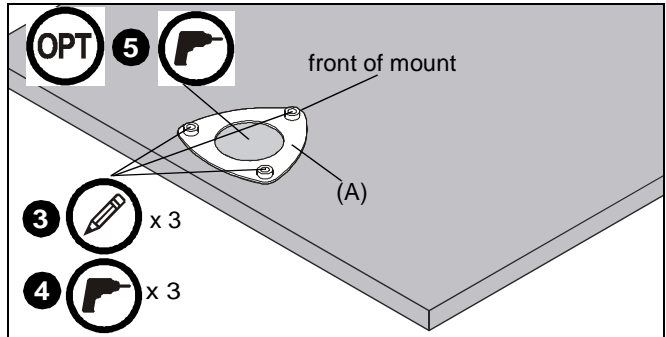


Figure 2

6. Lift lower cover on table stand to expose holes on lower plate. (See Figure 3)
7. Use three 1/4-20 x 2 1/2" hex head cap screws (G) and three 3/16" washers (L) to secure table stand (B) to desk and clamping plate (A). (See Figure 3)

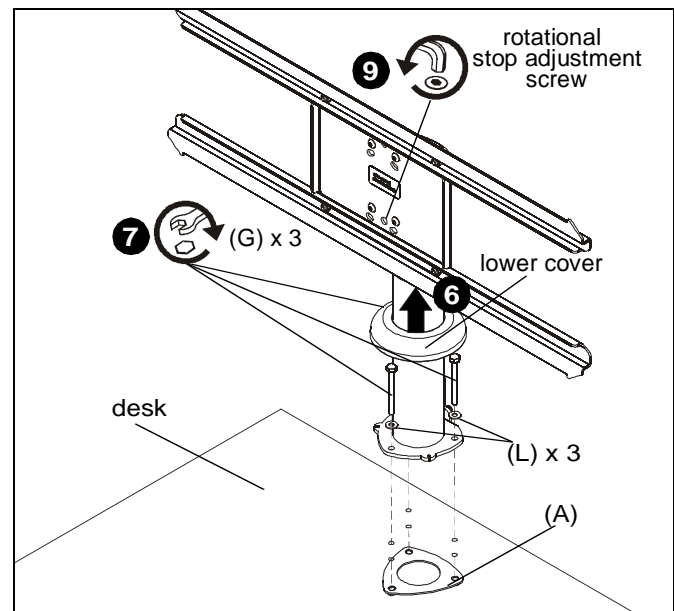


Figure 3

IMPORTANT ! : Provided screws (G) can be used to install on surfaces up to 1 5/8" in depth. For deeper tables, longer 1/4-20" screws that are not provided must be used.

8. Secure lower cover to table stand (B) using #10-24 x 1/2" security screw (K). (See Figure 4)

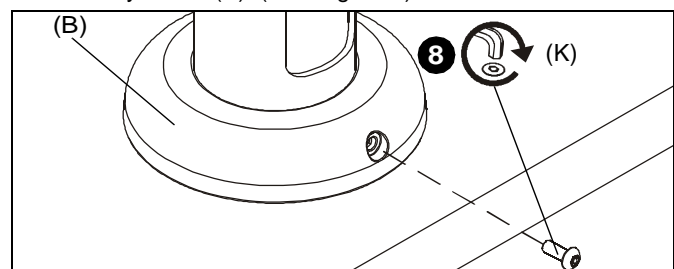


Figure 4

NOTE: Prior to installing display, the rotation radius should be adjusted. Once the display is connected, it will no longer be possible to adjust the rotational stop without removing the display from the mount.

- Use the 5/32" security hex key (W) to loosen rotational stop adjustment screw until desired radius is achieved. (See Figure 3) and (See Figure 5)



WARNING: TO REDUCE THE RISK OF BURNS, FIRE, ELECTRIC SHOCK, OR INJURY TO PERSONS, rotational stop must be in place prior to display installation! If stop is not in place, the cables may be damaged if the display is over-rotated! Always make sure rotational stop is in place before proceeding with installation!

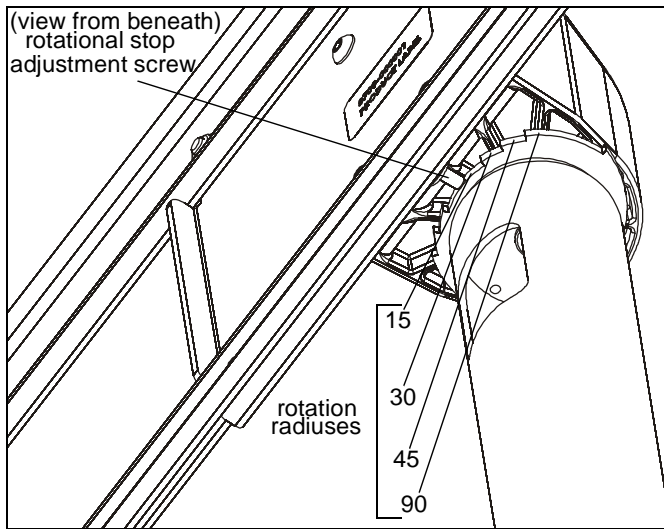


Figure 5

Display Installation

- Lay display face down on protective surface.



CAUTION: Using screws of improper diameter may damage your display! Proper screws will easily thread into display mounting holes.

- Select screw *diameter* by examining hardware (M-R) (8mm, 6mm, 5mm, or 4mm) and comparing with mounting holes on display. (See Figure 6)
- Select washers:
 - Refer to the Table 1-1 to determine which washers (S and T) to use for display installation.

NOTE: No washers are required with installation using M8 diameter screws.

Table 1-1: Washer Usage

	M4	M5	M6
#10 (T)	X		
1/4-20" (U)	X	X	X



CAUTION: Using screws of improper length may damage your display! Proper screws will have adequate thread engagement without contacting bottom of display mounting holes.

- Select screw *length*: (for M4 screws only)
 - Using your hand, insert M4x12mm button head security screw (N) through vertical interface bracket (D), washers (T and U), into display mounting hole. Do NOT thread screw into hole at this time.
 - Proper screw length requires base of screw head to protrude above flat washer a *distance equal to or greater than the screw diameter*. If screw length is inadequate, use M4x16mm screw (P). Select *shortest* screw which will protrude the required distance.

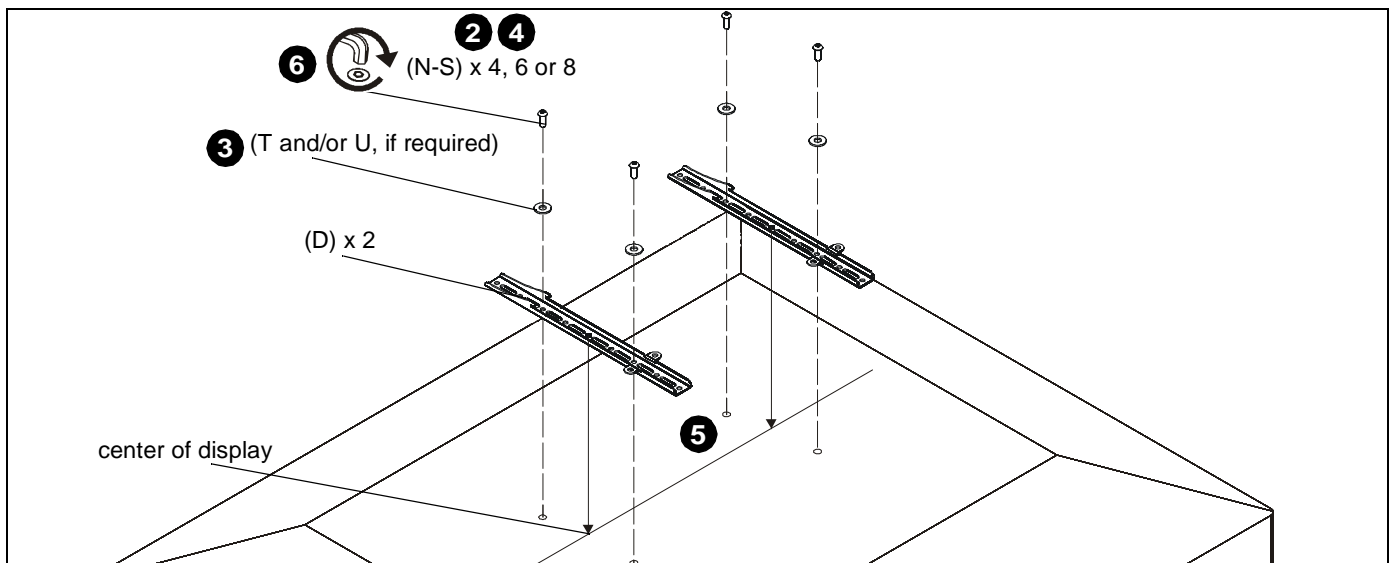


Figure 6

5. Place vertical interface brackets (D) on display, ensuring: (See Figure 6)
 - Upper hooks are towards *top* of display.
 - Center of brackets (D) are as close to the center of the back of display as possible after being installed. Center of bracket is indicated by the diamond-shaped hole.
6. Install selected screws through washers (T and/or U, if required) vertical interface bracket (D) and into display mounting holes. (See Figure 6)
7. Hang display onto top rail of table stand interface (C) using hooks on top of vertical interface brackets (D). (See Figure 7)
8. Gently set back of display against lower rail of table stand interface. (See Figure 7)

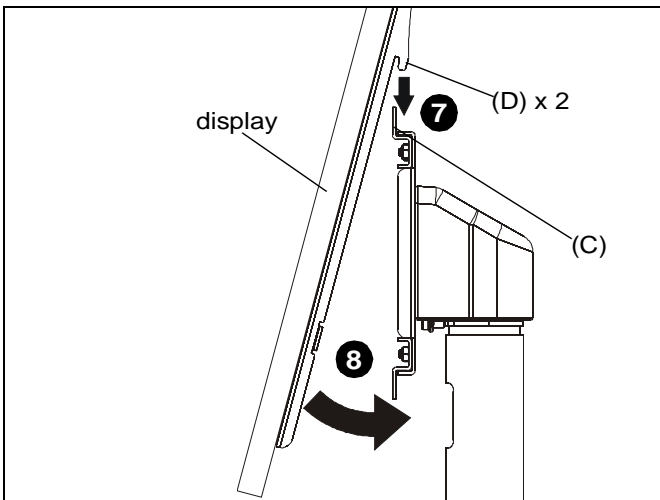


Figure 7

9. Use four 1/4-20 x 1/2" button head security cap screws (J) and two interface clamp brackets (E) to secure vertical interface brackets (D) to table stand interface (C). (See Figure 8)

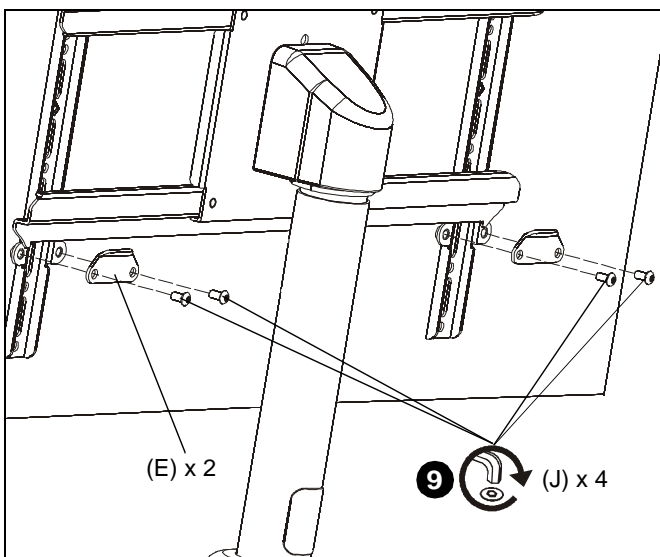


Figure 8

Cable Management

The STLU can be set up for two types of Cable Management. One calls for the cables to be routed strictly through the pole portion of the table stand. The other routes the cables through the pole and through a pre-drilled hole in the desk.

Cable Management (pole only)

1. Route cables from display into upper hole on pole portion of table stand (B). (See Figure 9)
2. Route cables down the pole and out of lower hole. (See Figure 9)

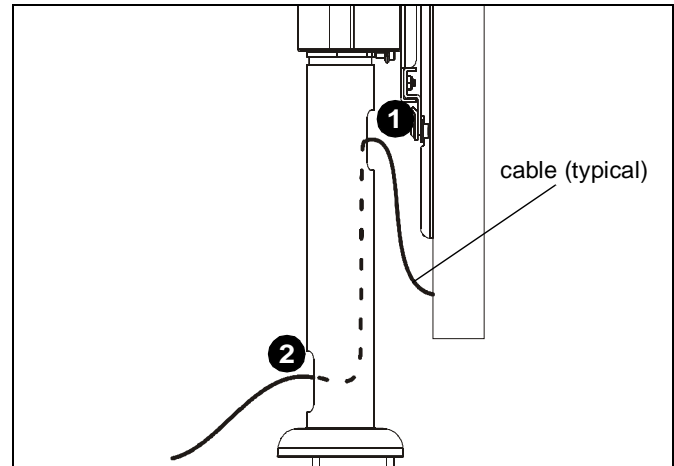


Figure 9

Cable Management (through desk)

1. Route cables from display into upper hole on pole portion of table stand (B). (See Figure 10)
2. Route cables down the pole and through hole drilled in desk during desk installation. (See Figure 10)
3. Install cable port cover (F) into lower hole on pole portion of table stand (B). (See Figure 10)

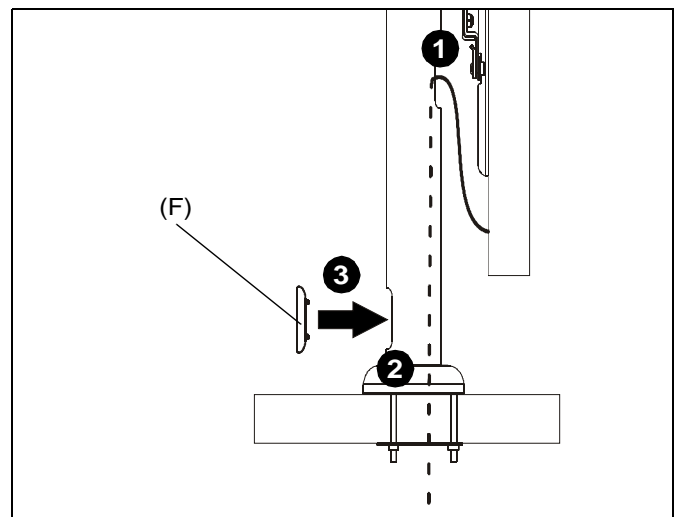


Figure 10



Our Mounts. **Your Vision.**

Chief Manufacturing, a products division
of Milestone AV Technologies

8800-002058 Rev 04
©2012 Milestone AV Technologies, a
Duchossois Group Company
www.chiefmfg.com
04/12

USA/International	A 6436 City West Parkway, Eden Prairie, MN 55344 P 800.582.6480 / 952.225.6000 F 877.894.6918 / 952.894.6918
Europe	A Franklinstraat 14, 6003 DK Weert, Netherlands P +31 (0) 495 580 852 F +31 (0) 495 580 845
Asia Pacific	A Office No. 1 on 12/F, Shatin Galleria 18-24 Shan Mei Street Fotan, Shatin, Hong Kong P 852 2145 4099 F 852 2145 4477

