

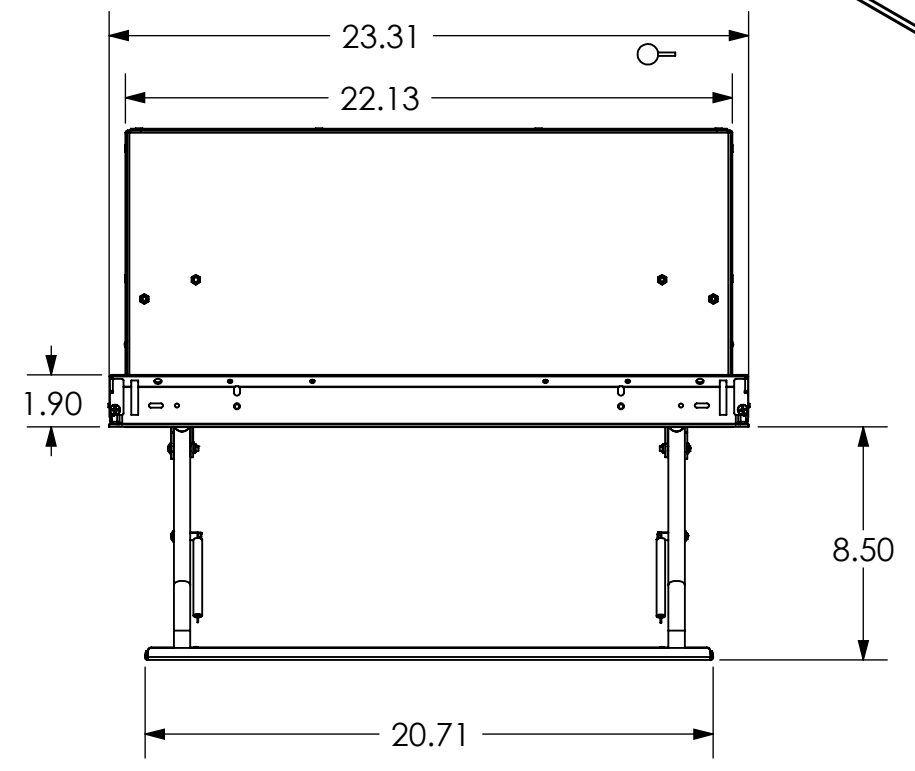
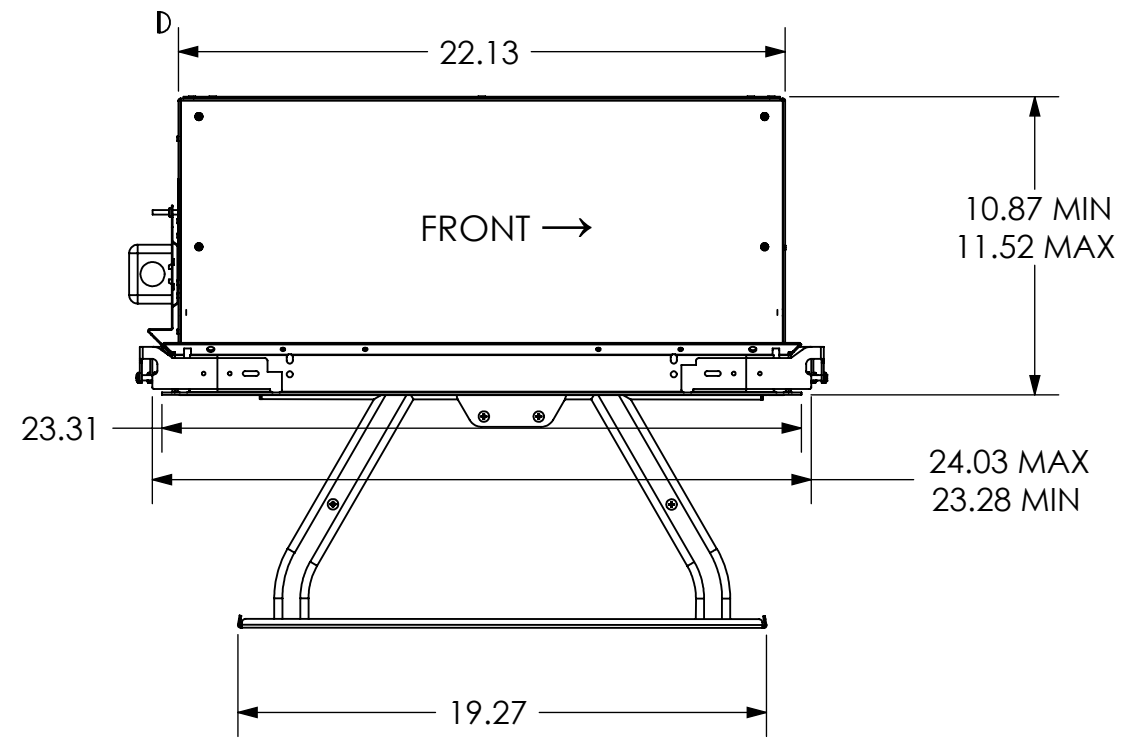
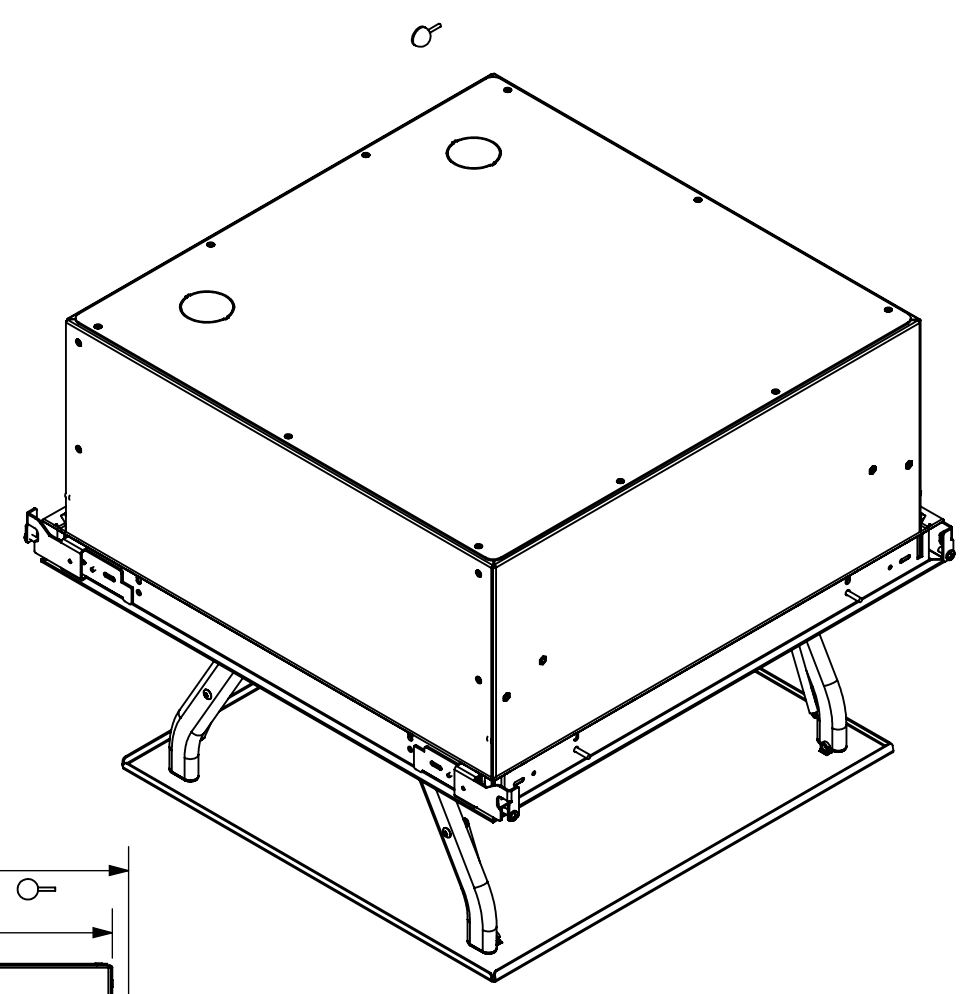
ABSOLUTE MAXIMUM EQUIPMENT SIZE*

Height: 9.50"
 Width: 16.50"
 Length: 18.50"
 Weight: 30#

*The SL-220 requires either a RPM or RPA mount. The height and weight of the mount needs to be considered when calculating overall height and total weight of the equipment used in the lift.

Total Forward/Aft adjustment of mount inside the lift:
 5.00" [2 1/8" forward of center] [2 7/8" rear of center]

Total Lateral adjustment of mount inside the lift:
 6.00" [3.00" either side of center]



THE INFORMATION AND DESIGNS CONTAINED IN THIS DRAWING ARE CONFIDENTIAL AND THE PROPRIETARY PROPERTY OF CHIEF MFG., INC. NEITHER THIS DESIGN NOR ANY INFORMATION CONTAINED IN THIS DRAWING MAY BE REPRODUCED OR DISCLOSED TO OTHERS WITHOUT THE EXPRESS WRITTEN CONSENT OF CHIEF MFG., INC.