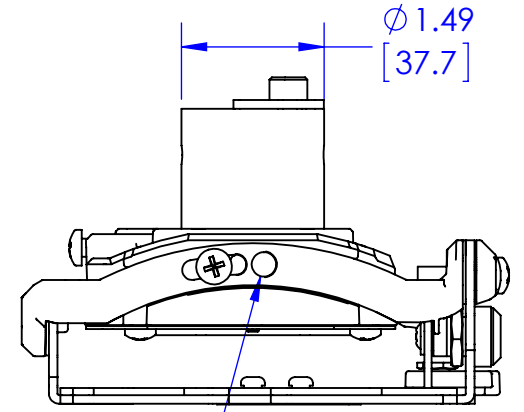
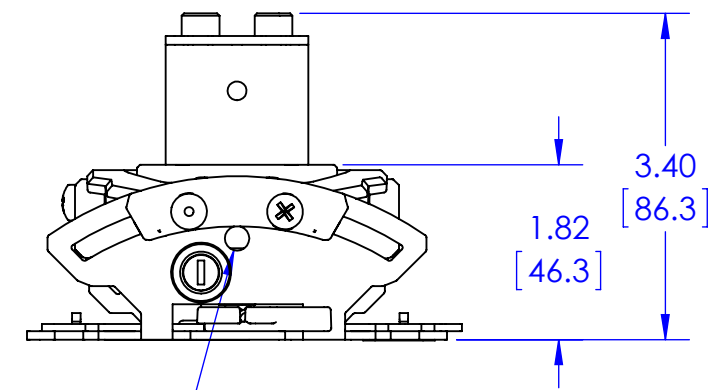


YAW
ADJUSTMENT POINT
±10°



ROLL
ADJUSTMENT POINT
±4°



PITCH
ADJUSTMENT POINT
±15°

THE INFORMATION AND DESIGNS CONTAINED IN THIS DRAWING ARE CONFIDENTIAL AND THE PROPRIETARY PROPERTY OF MILESTONE AV TECHNOLOGIES NEITHER THIS DESIGN NOR ANY INFORMATION CONTAINED IN THIS DRAWING MAY BE REPRODUCED OR DISCLOSED TO OTHERS WITHOUT THE EXPRESS WRITTEN CONSENT OF MILESTONE AV TECHNOLOGIES.

CAD GENERATED DRAWING, DO NOT MANUALLY UPDATE.			<p>6436 CITY WEST PKWY EDEN PRAIRIE, MN, 55344 PHONE: 866-977-3901 FAX: 877-894-6918</p>
DRAWN BY	PMS	3/1/2013	
ENG APPROVAL			DESCRIPTION TECH DRAWING, RSMEU, RSM WITH PIN CONNECT ADAPTER
MFG APPROVAL			
QA APPROVAL			
SHEET 1 OF 1			MODEL NO. SCALE 1:2 SIZE B DWG. NO. TECH-000310 REV. 00