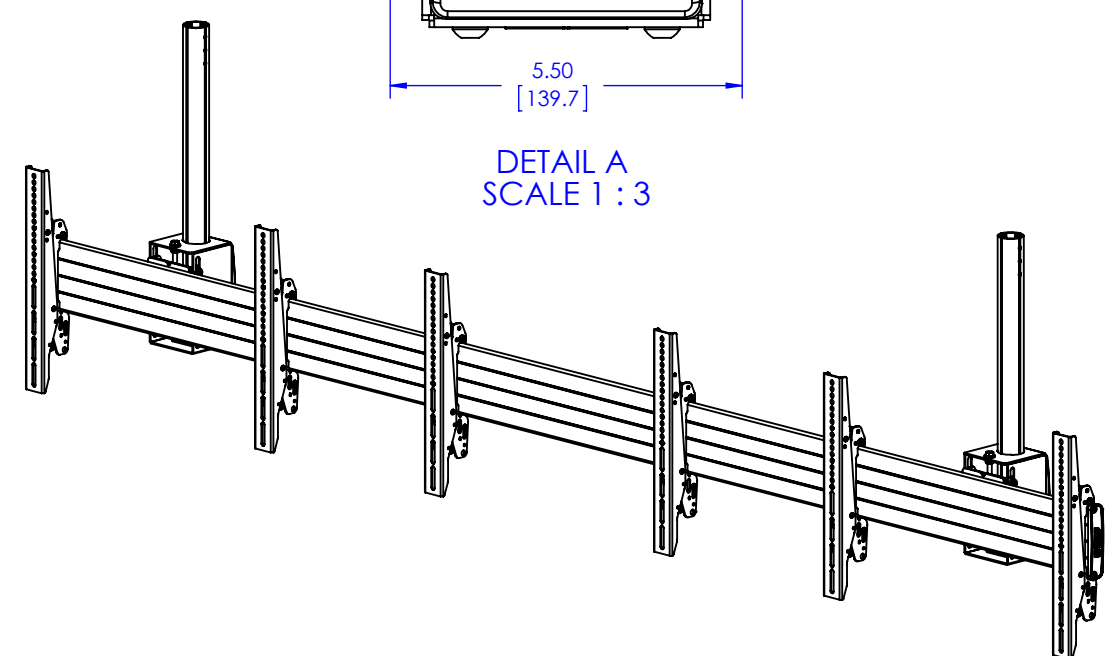


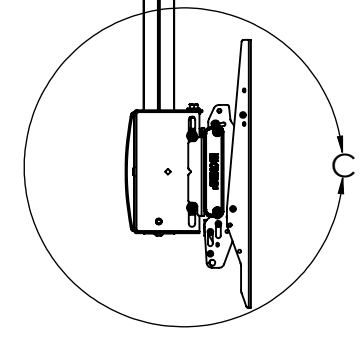
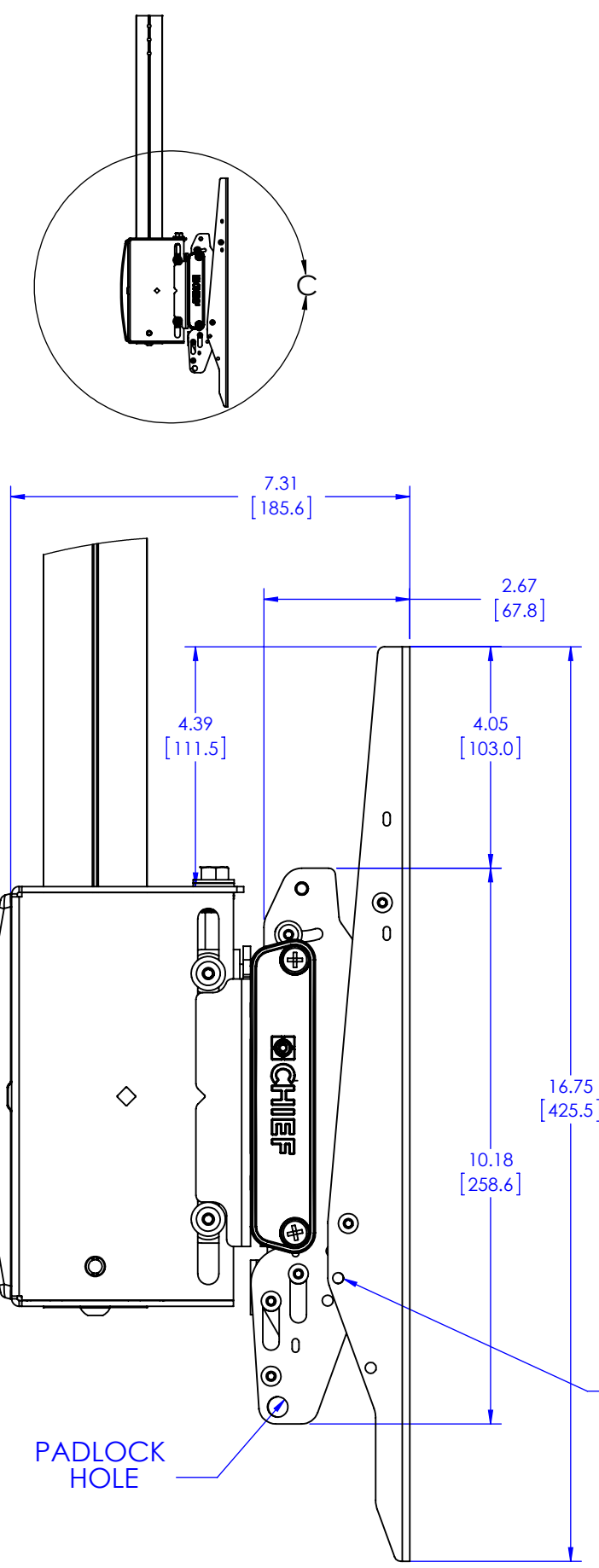
DETAIL A  
SCALE 1 : 3

DETAIL B  
SCALE 1 : 3



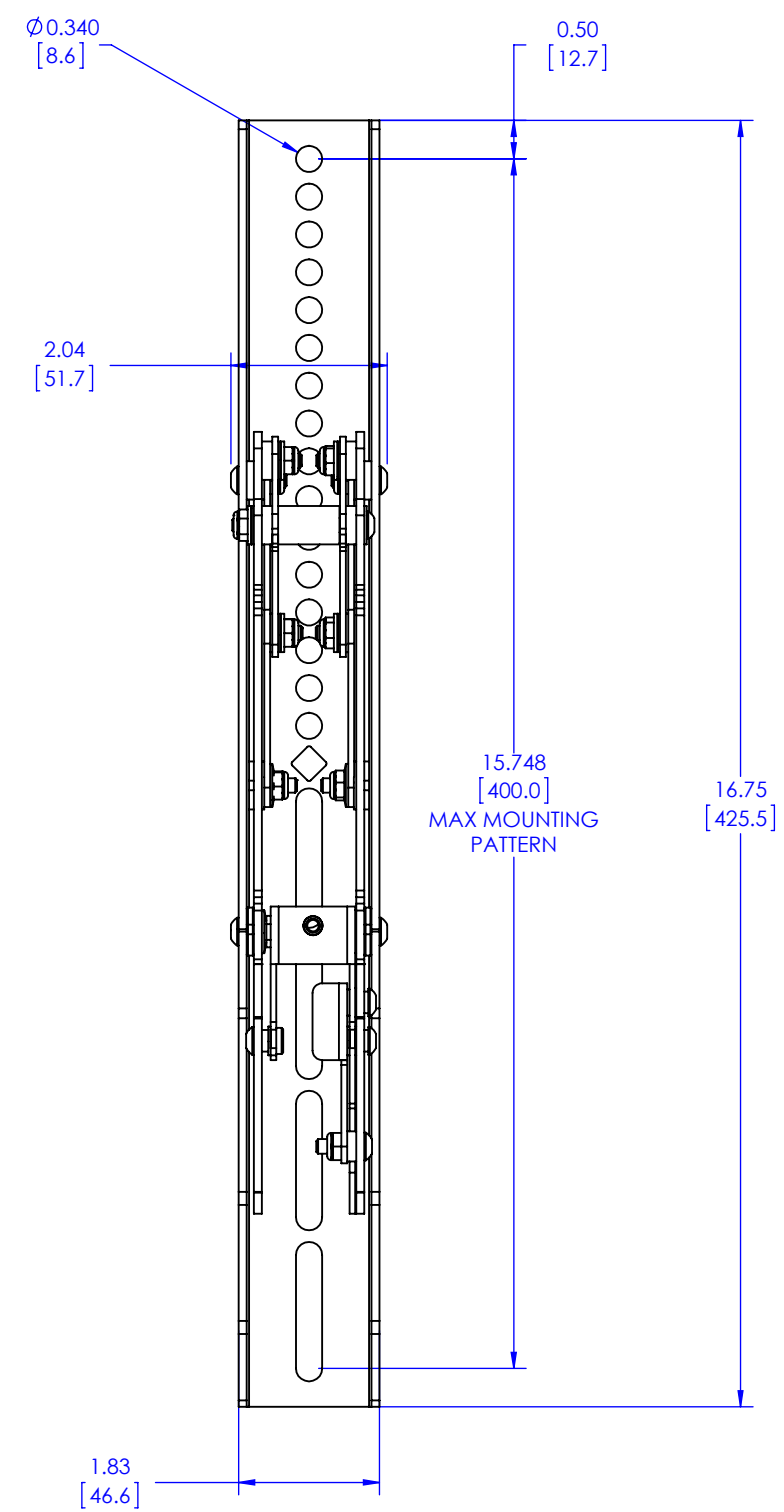
THE INFORMATION AND DESIGNS CONTAINED IN THIS DRAWING ARE CONFIDENTIAL AND THE PROPRIETARY PROPERTY OF MILESTONE AV TECHNOLOGIES NEITHER THIS DESIGN NOR ANY INFORMATION CONTAINED IN THIS DRAWING MAY BE REPRODUCED OR DISCLOSED TO OTHERS WITHOUT THE EXPRESS WRITTEN CONSENT OF MILESTONE AV TECHNOLOGIES.

CAD GENERATED DRAWING, DO NOT MANUALLY UPDATE.		<b>CHIEF</b>	6436 CITY WEST PKWY EDEN PRAIRIE MN, 55344 PHONE: 866-977-3901 FAX: 877-894-6918	
DRAWN BY	JAB 2/22/2013		DESCRIPTION	
ENG APPROVAL		LCM3X1U TECH DRAWING		
MFG APPROVAL		MODEL NO.		
QA APPROVAL		LCM3X1U		
SHEET 1 OF 6		SCALE	SIZE	DWG. NO.
		1:24	B	TECH-000333
				REV. 02



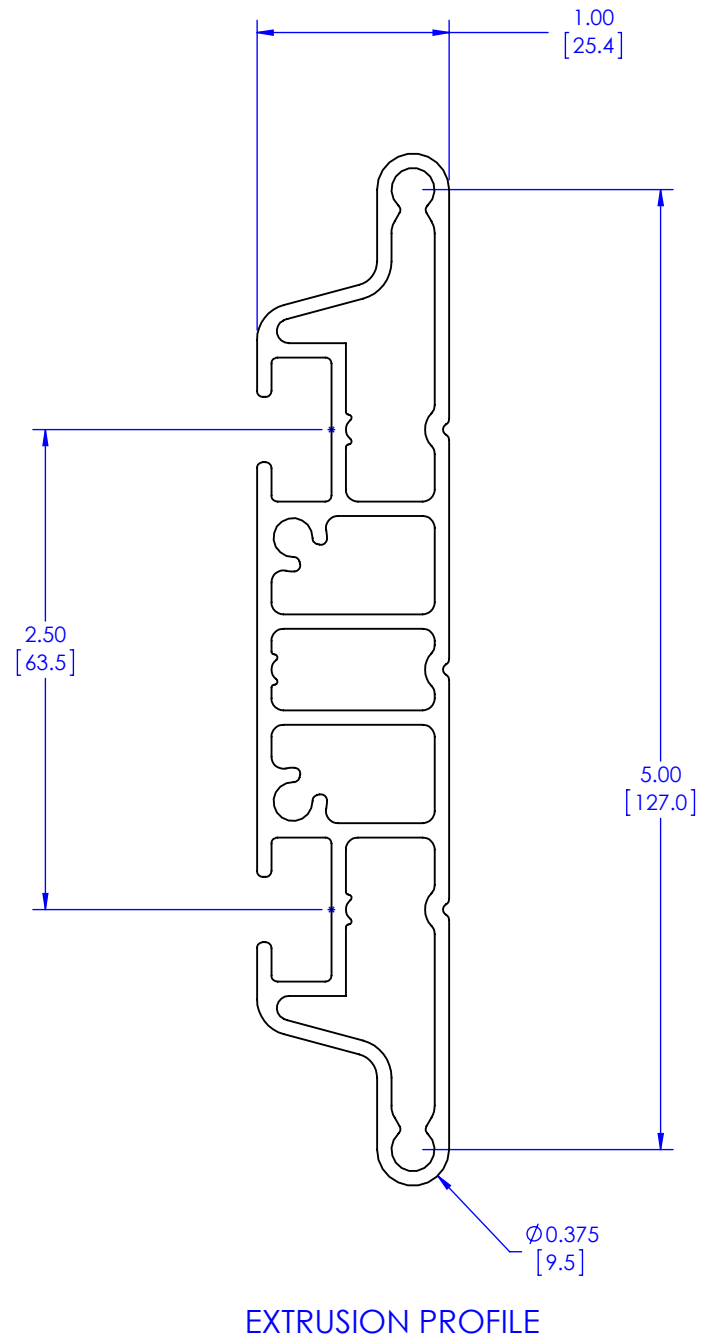
DETAIL C  
SCALE 1 : 3

LOCK OUT STOPS  
AT 0°, 10°, AND 20°



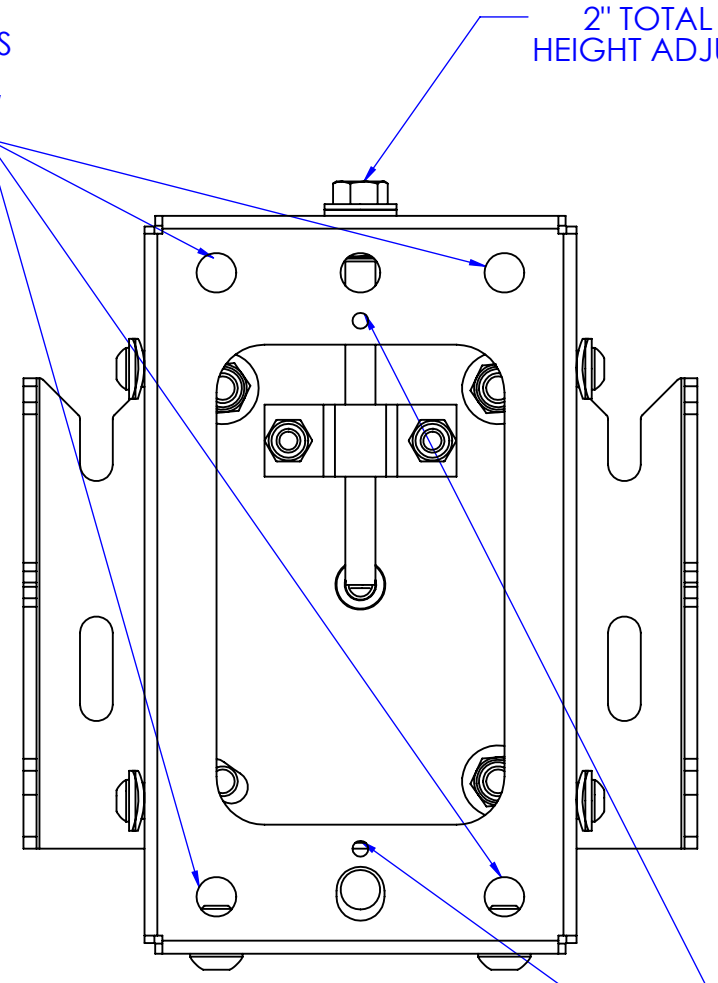
THE INFORMATION AND DESIGNS CONTAINED IN THIS DRAWING ARE CONFIDENTIAL AND THE PROPRIETARY PROPERTY OF MILESTONE AV TECHNOLOGIES NEITHER THIS DESIGN NOR ANY INFORMATION CONTAINED IN THIS DRAWING MAY BE REPRODUCED OR DISCLOSED TO OTHERS WITHOUT THE EXPRESS WRITTEN CONSENT OF MILESTONE AV TECHNOLOGIES.

CAD GENERATED DRAWING, DO NOT MANUALLY UPDATE.			6436 CITY WEST PKWY EDEN PRAIRIE MN, 55344 PHONE: 866-977-3901 FAX: 877-894-6918			
DRAWN BY	JAB	2/22/2013				
ENG APPROVAL			DESCRIPTION			
MFG APPROVAL			LCM3X1U TECH DRAWING			
QA APPROVAL			MODEL NO.			
SHEET 2 OF 6			SCALE	SIZE	DWG. NO.	REV.
			1:24	B	TECH-000333	02



FOR MOUNTING  
OPTIONAL CPU ENCLOSURES  
FCA510 AND FCA515  
OR ATTACHING BACK ROW  
FOR MENU BOARD

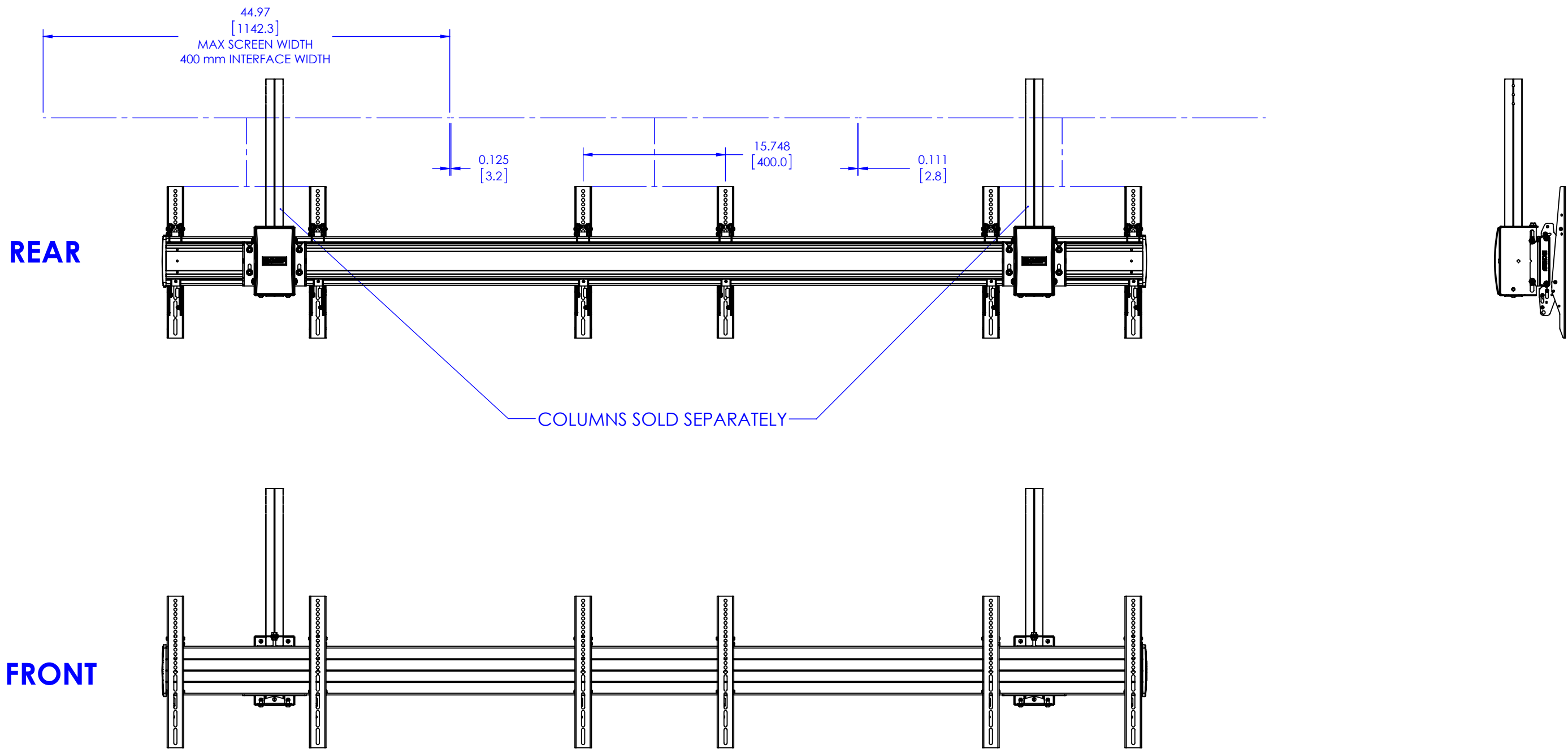
2" TOTAL  
HEIGHT ADJUST



FOR ATTACHING  
FCA540 OUTLET  
BOX ACCESSORY

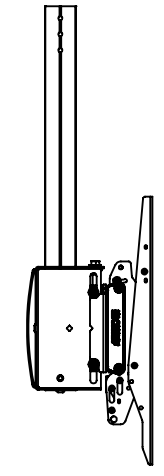
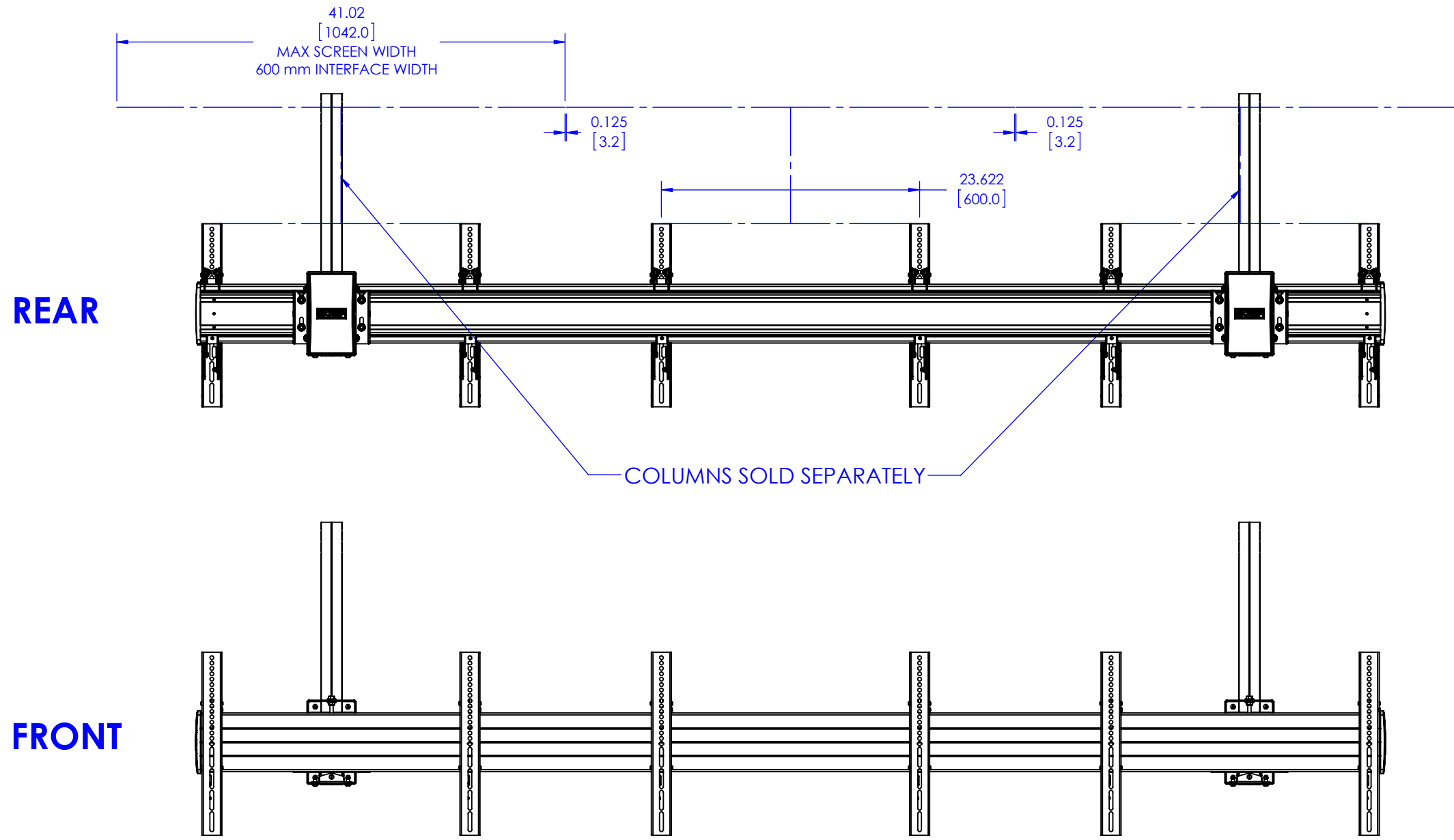
**THE INFORMATION AND DESIGNS CONTAINED IN THIS DRAWING ARE CONFIDENTIAL AND THE PROPRIETARY PROPERTY OF MILESTONE AV TECHNOLOGIES NEITHER THIS DESIGN NOR ANY INFORMATION CONTAINED IN THIS DRAWING MAY BE REPRODUCED OR DISCLOSED TO OTHERS WITHOUT THE EXPRESS WRITTEN CONSENT OF MILESTONE AV TECHNOLOGIES.**

CAD GENERATED DRAWING, DO NOT MANUALLY UPDATE.			6436 CITY WEST PKWY EDEN PRAIRIE MN, 55344 PHONE: 866-977-3901 FAX: 877-894-6918	
DRAWN BY	JAB	2/22/2013	DESCRIPTION <b>LCM3X1U TECH DRAWING</b>	
ENG APPROVAL			MODEL NO. <b>LCM3X1U</b>	
MFG APPROVAL			SIZE	DWG. NO.
QA APPROVAL			<b>B</b>	<b>TECH-000333</b>
SHEET 3 OF 6		SCALE <b>1:4</b>	REV.	<b>02</b>



THE INFORMATION AND DESIGNS CONTAINED IN THIS DRAWING ARE CONFIDENTIAL AND THE PROPRIETARY PROPERTY OF MILESTONE AV TECHNOLOGIES NEITHER THIS DESIGN NOR ANY INFORMATION CONTAINED IN THIS DRAWING MAY BE REPRODUCED OR DISCLOSED TO OTHERS WITHOUT THE EXPRESS WRITTEN CONSENT OF MILESTONE AV TECHNOLOGIES.

CAD GENERATED DRAWING, DO NOT MANUALLY UPDATE.			6436 CITY WEST PKWY EDEN PRAIRIE MN, 55344 PHONE: 866-977-3901 FAX: 877-894-6918
DRAWN BY	JAB	2/22/2013	
ENG APPROVAL			DESCRIPTION
MFG APPROVAL			LCM3X1U TECH DRAWING
QA APPROVAL			MODEL NO.
SHEET 4 OF 6			LCM3X1U
SCALE	1:24	SIZE	DWG. NO.
		B	TECH-000333
			REV.
			02

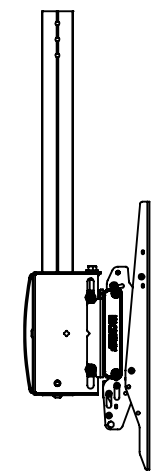
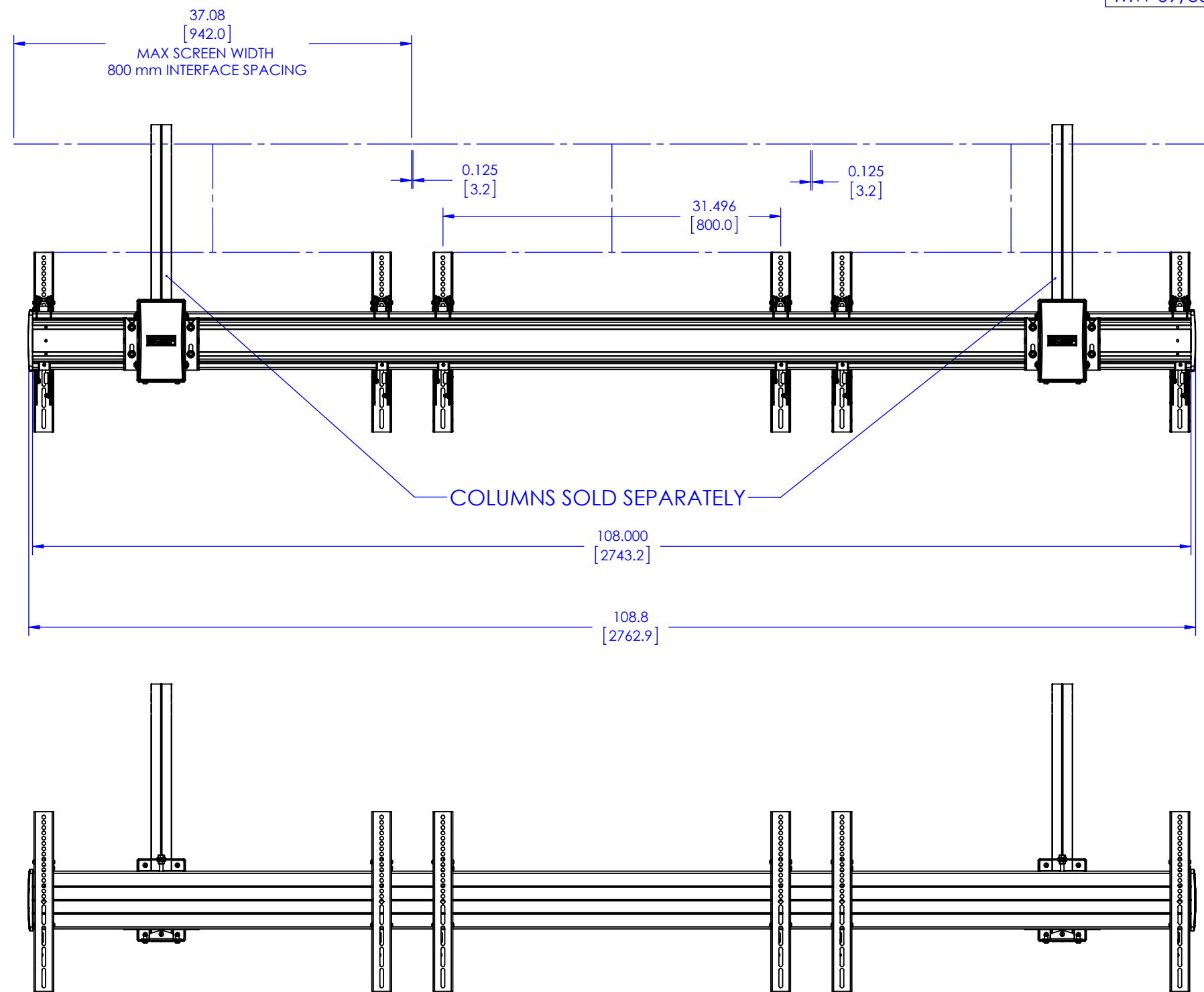


THE INFORMATION AND DESIGNS CONTAINED IN THIS DRAWING ARE CONFIDENTIAL AND THE PROPRIETARY PROPERTY OF MILESTONE AV TECHNOLOGIES NEITHER THIS DESIGN NOR ANY INFORMATION CONTAINED IN THIS DRAWING MAY BE REPRODUCED OR DISCLOSED TO OTHERS WITHOUT THE EXPRESS WRITTEN CONSENT OF MILESTONE AV TECHNOLOGIES.

CAD GENERATED DRAWING, DO NOT MANUALLY UPDATE.			6436 CITY WEST PKWY EDEN PRAIRIE MN, 55344 PHONE: 866-977-3901 FAX: 877-894-6918
DRAWN BY	JAB	2/22/2013	
ENG APPROVAL			DESCRIPTION
MFG APPROVAL			LCM3X1U TECH DRAWING
QA APPROVAL			MODEL NO.
SHEET 5 OF 6			LCM3X1U
SCALE	1:24	SIZE	DWG. NO.
		B	TECH-000333
			REV.
			02

REAR

FRONT



THE INFORMATION AND DESIGNS CONTAINED IN THIS DRAWING ARE CONFIDENTIAL AND THE PROPRIETARY PROPERTY OF MILESTONE AV TECHNOLOGIES NEITHER THIS DESIGN NOR ANY INFORMATION CONTAINED IN THIS DRAWING MAY BE REPRODUCED OR DISCLOSED TO OTHERS WITHOUT THE EXPRESS WRITTEN CONSENT OF MILESTONE AV TECHNOLOGIES.

CAD GENERATED DRAWING, DO NOT MANUALLY UPDATE.			6436 CITY WEST PKWY EDEN PRAIRIE MN, 55344 PHONE: 866-977-3901 FAX: 877-894-6918	
DRAWN BY	JAB	2/22/2013		
ENG APPROVAL			DESCRIPTION <b>LCM3X1U TECH DRAWING</b>	
MFG APPROVAL			MODEL NO. <b>LCM3X1U</b>	
QA APPROVAL			SIZE <b>B</b>	DWG. NO. <b>TECH-000333</b>
SHEET 6 OF 6			SCALE <b>1:24</b>	REV. <b>02</b>