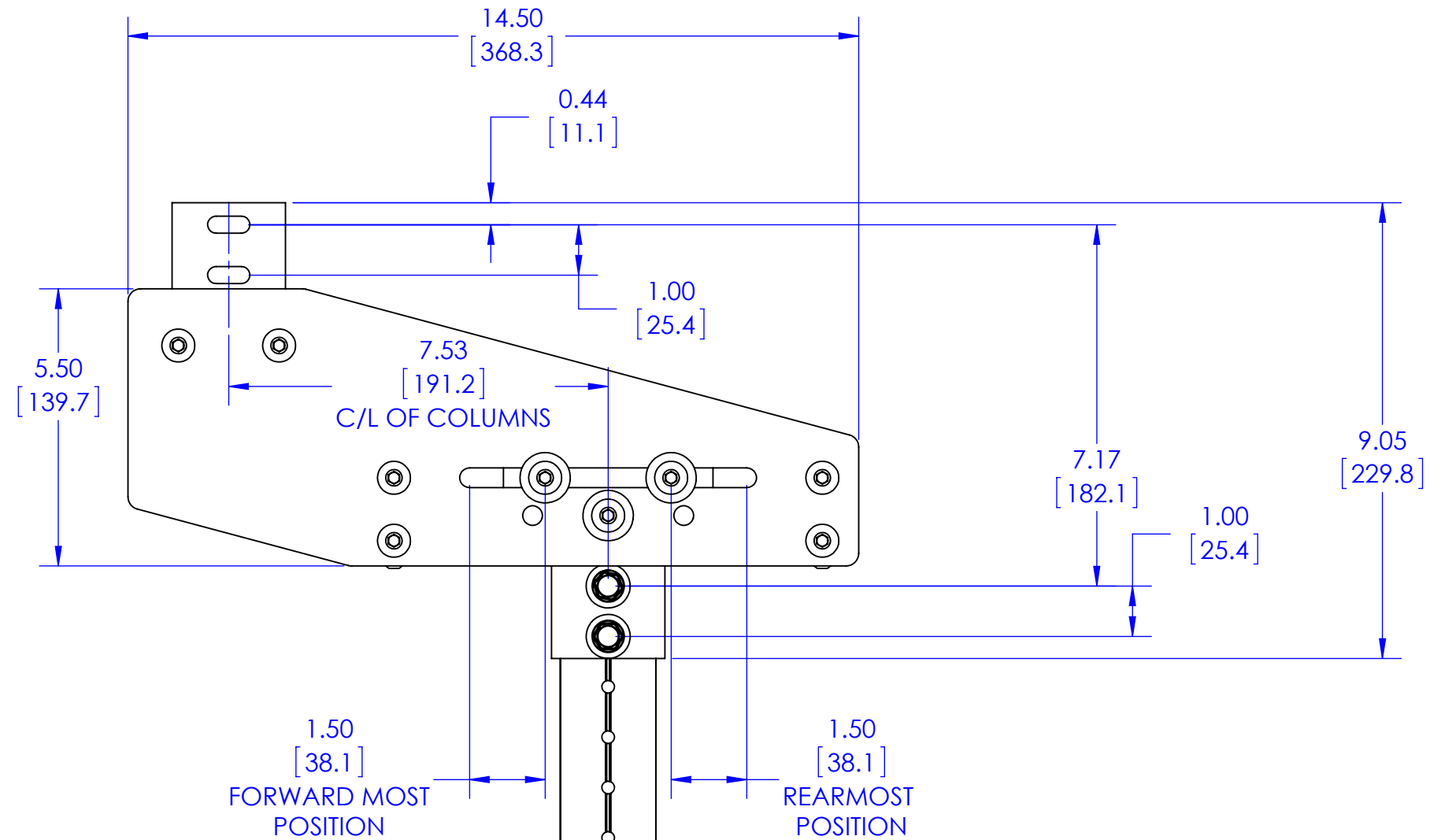
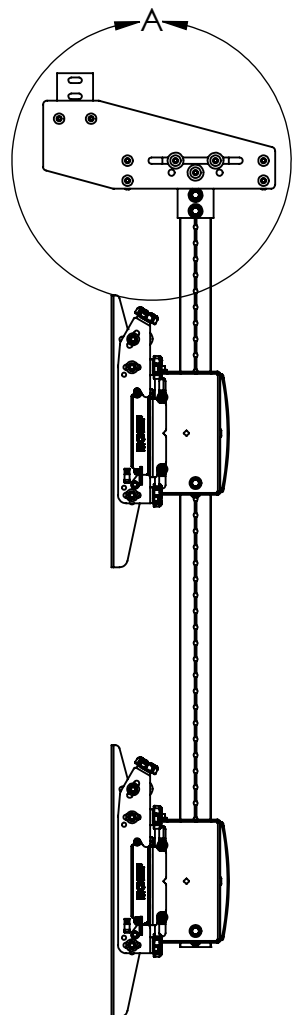


THE INFORMATION AND DESIGNS CONTAINED IN THIS DRAWING ARE CONFIDENTIAL AND THE PROPRIETARY PROPERTY OF MILESTONE AV TECHNOLOGIES NEITHER THIS DESIGN NOR ANY INFORMATION CONTAINED IN THIS DRAWING MAY BE REPRODUCED OR DISCLOSED TO OTHERS WITHOUT THE EXPRESS WRITTEN CONSENT OF MILESTONE AV TECHNOLOGIES.

CAD GENERATED DRAWING, DO NOT MANUALLY UPDATE.			CHIEF		8401 EAGLE CREEK PKWY SAVAGE MN, 55378 PHONE: 888-888-8888 FAX: 999-999-9999	
DRAWN BY	JAB	11/29/2012	DESCRIPTION LCM2X2U TECH DRAWING			
ENG APPROVAL			MODEL NO. LCM2X2U TECH DRAWING			
MFG APPROVAL			SIZE	DWG. NO.	REV.	
QA APPROVAL			B	TECH-000259	00	
SHEET 1 OF 5			SCALE			
			1:12			



OFFSET SHOULD BE PUT IN THE FORWARD MOST POSITION FOR SCREENS LESS THAN 2.5" DEEP

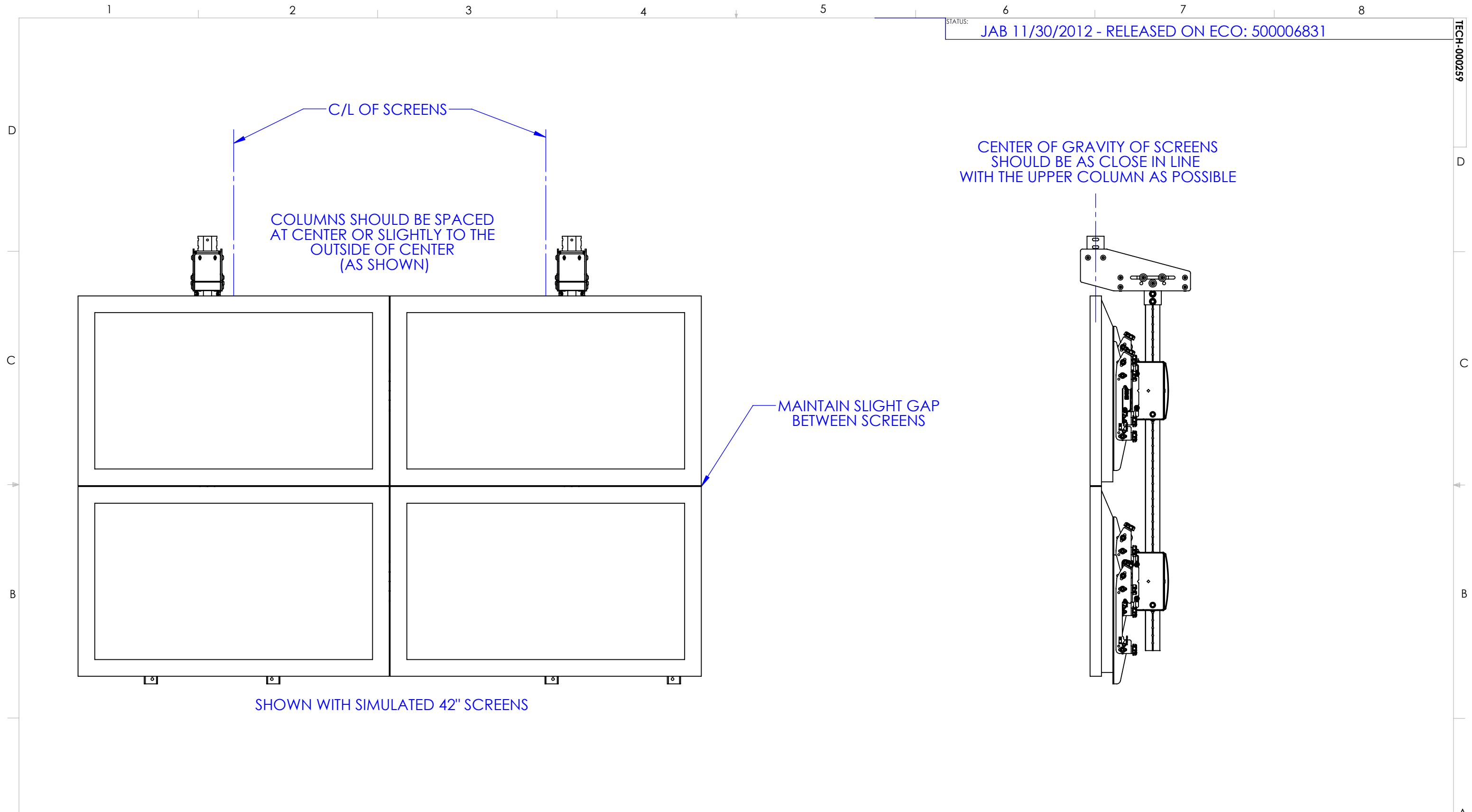
OFFSET SHOULD BE PUT IN THE REAR MOST POSITION FOR SCREENS GREATER THAN 4.5" DEEP

DETAIL A
SCALE 1 : 3

OFFSET SHOULD BE PUT IN THE CENTER POSITION FOR SCREENS BETWEEN 2.5" AND 4.5" DEEP

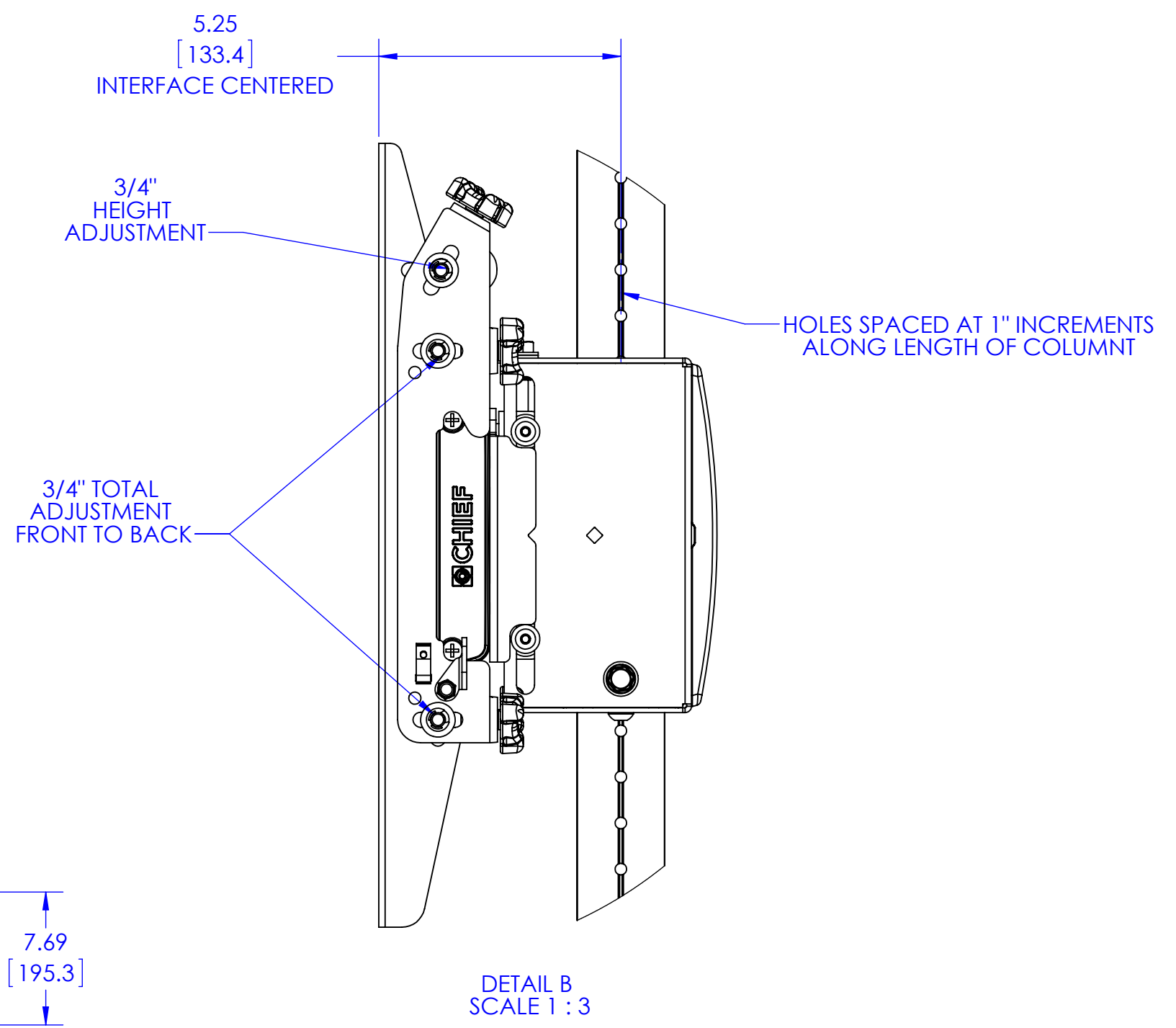
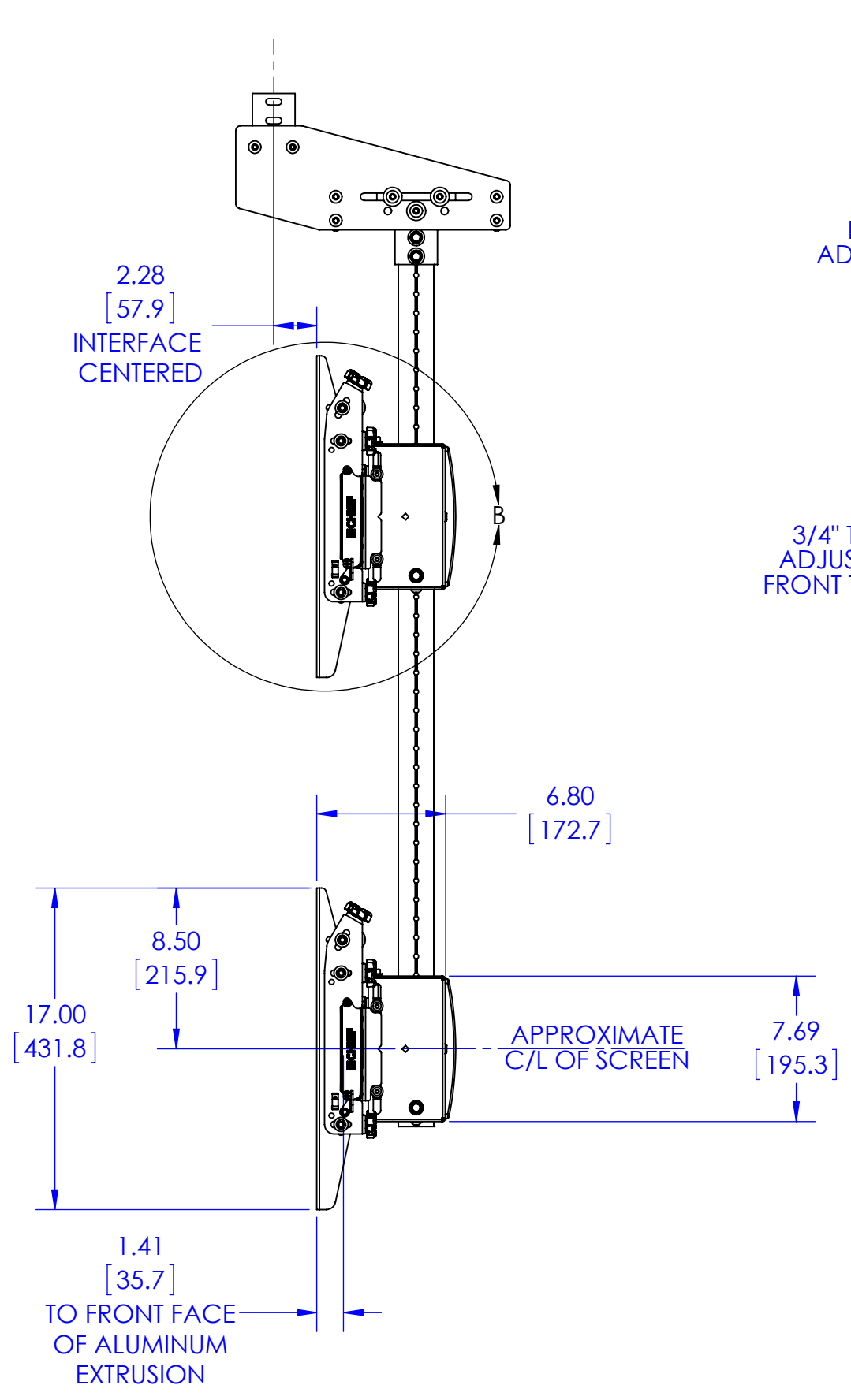
THE INFORMATION AND DESIGNS CONTAINED IN THIS DRAWING ARE CONFIDENTIAL AND THE PROPRIETARY PROPERTY OF MILESTONE AV TECHNOLOGIES NEITHER THIS DESIGN NOR ANY INFORMATION CONTAINED IN THIS DRAWING MAY BE REPRODUCED OR DISCLOSED TO OTHERS WITHOUT THE EXPRESS WRITTEN CONSENT OF MILESTONE AV TECHNOLOGIES.

CAD GENERATED DRAWING, DO NOT MANUALLY UPDATE.			8401 EAGLE CREEK PKWY SAVAGE MN, 55378 PHONE: 888-888-8888 FAX: 999-999-9999
DRAWN BY	JAB	11/29/2012	
ENG APPROVAL			DESCRIPTION LCM2X2U TECH DRAWING
MFG APPROVAL			
QA APPROVAL			
SHEET 2 OF 5			MODEL NO. LCM2X2U TECH DRAWING
SCALE		1:12	SIZE DWG. NO. B TECH-000259
			REV. 00



THE INFORMATION AND DESIGNS CONTAINED IN THIS DRAWING ARE CONFIDENTIAL AND THE PROPRIETARY PROPERTY OF MILESTONE AV TECHNOLOGIES NEITHER THIS DESIGN NOR ANY INFORMATION CONTAINED IN THIS DRAWING MAY BE REPRODUCED OR DISCLOSED TO OTHERS WITHOUT THE EXPRESS WRITTEN CONSENT OF MILESTONE AV TECHNOLOGIES.

CAD GENERATED DRAWING, DO NOT MANUALLY UPDATE.			8401 EAGLE CREEK PKWY SAVAGE MN, 55378 PHONE: 888-888-8888 FAX: 999-999-9999
DRAWN BY	JAB	11/29/2012	
ENG APPROVAL			DESCRIPTION
MFG APPROVAL			LCM2X2U TECH DRAWING
QA APPROVAL			MODEL NO.
SHEET 3 OF 5			LCM2X2U TECH DRAWING
SCALE	1:12	SIZE	DWG. NO.
		B	TECH-000259
			REV.
			00



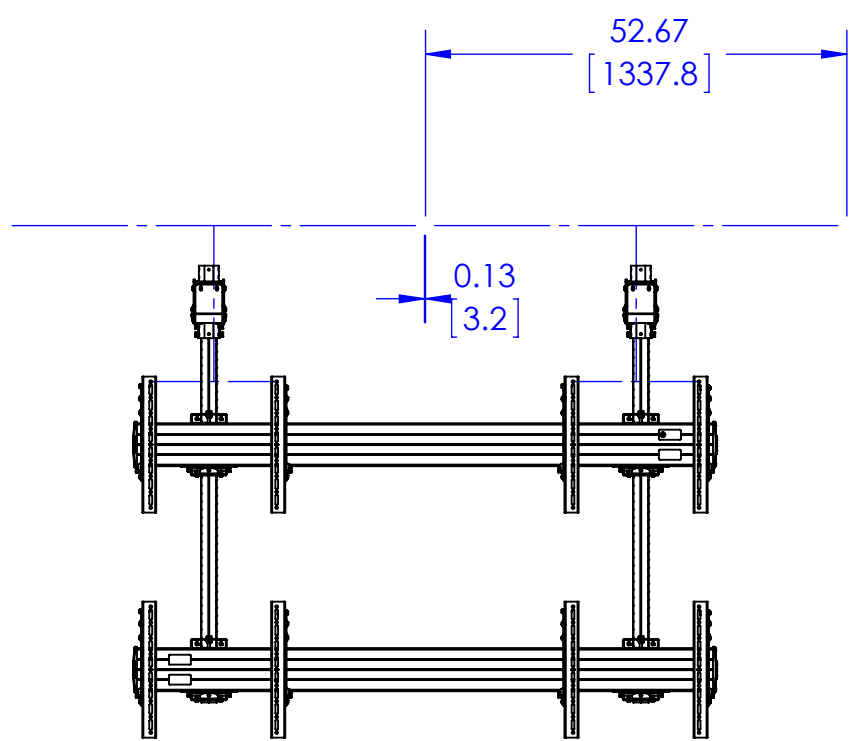
DETAIL B
SCALE 1 : 3

THE INFORMATION AND DESIGNS CONTAINED IN THIS DRAWING ARE CONFIDENTIAL AND THE PROPRIETARY PROPERTY OF MILESTONE AV TECHNOLOGIES NEITHER THIS DESIGN NOR ANY INFORMATION CONTAINED IN THIS DRAWING MAY BE REPRODUCED OR DISCLOSED TO OTHERS WITHOUT THE EXPRESS WRITTEN CONSENT OF MILESTONE AV TECHNOLOGIES.

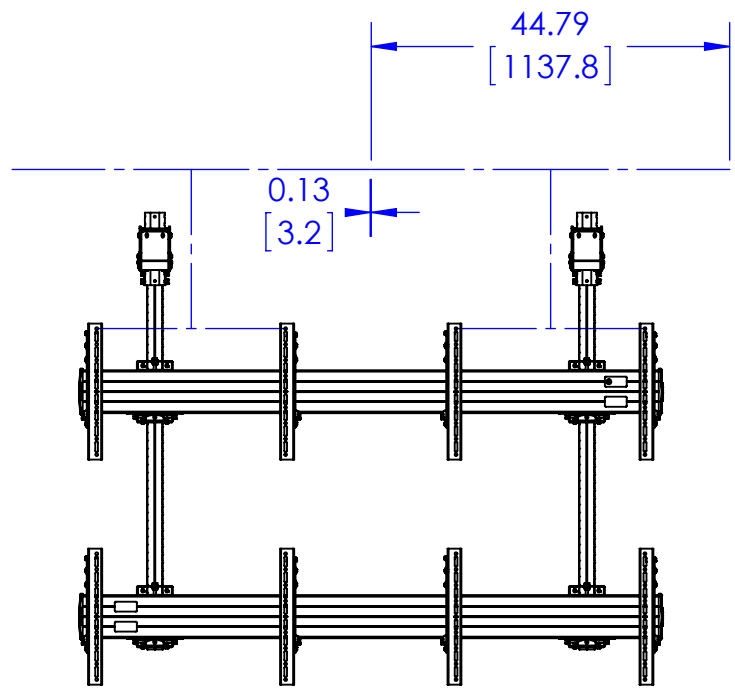
CAD GENERATED DRAWING, DO NOT MANUALLY UPDATE.			8401 EAGLE CREEK PKWY SAVAGE MN, 55378 PHONE: 888-888-8888 FAX: 999-999-9999		
DRAWN BY	JAB	11/29/2012			
ENG APPROVAL			DESCRIPTION LCM2X2U TECH DRAWING		
MFG APPROVAL					
QA APPROVAL			MODEL NO. LCM2X2U TECH DRAWING		
SHEET 4 OF 5		SCALE 1:16	SIZE B	DWG. NO. TECH-000259	REV. 00

D
C
B
A

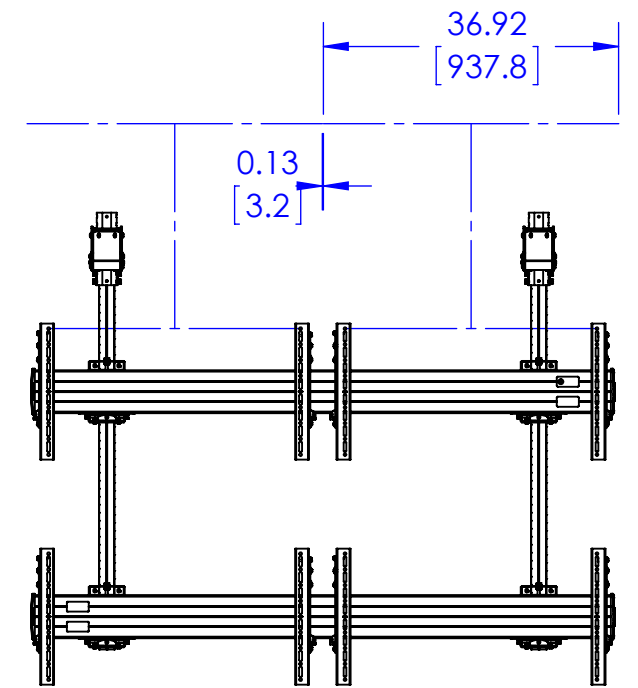
D
C
B
A



MAX SCREEN WIDTH
400 mm MOUNTING PATTERN



MAX SCREEN WIDTH
600 mm MOUNTING PATTERN



MAX SCREEN WIDTH
800 mm MOUNTING PATTERN

THE INFORMATION AND DESIGNS CONTAINED IN THIS DRAWING ARE CONFIDENTIAL AND THE PROPRIETARY PROPERTY OF MILESTONE AV TECHNOLOGIES NEITHER THIS DESIGN NOR ANY INFORMATION CONTAINED IN THIS DRAWING MAY BE REPRODUCED OR DISCLOSED TO OTHERS WITHOUT THE EXPRESS WRITTEN CONSENT OF MILESTONE AV TECHNOLOGIES.

CAD GENERATED DRAWING, DO NOT MANUALLY UPDATE.				8401 EAGLE CREEK PKWY SAVAGE MN, 55378 PHONE: 888-888-8888 FAX: 999-999-9999	
DRAWN BY	JAB	11/29/2012		DESCRIPTION LCM2X2U TECH DRAWING	
ENG APPROVAL			MODEL NO. LCM2X2U TECH DRAWING		
MFG APPROVAL			SIZE	DWG. NO.	REV.
QA APPROVAL			B	TECH-000259	00
SHEET 5 OF 5			SCALE		
			1:16		