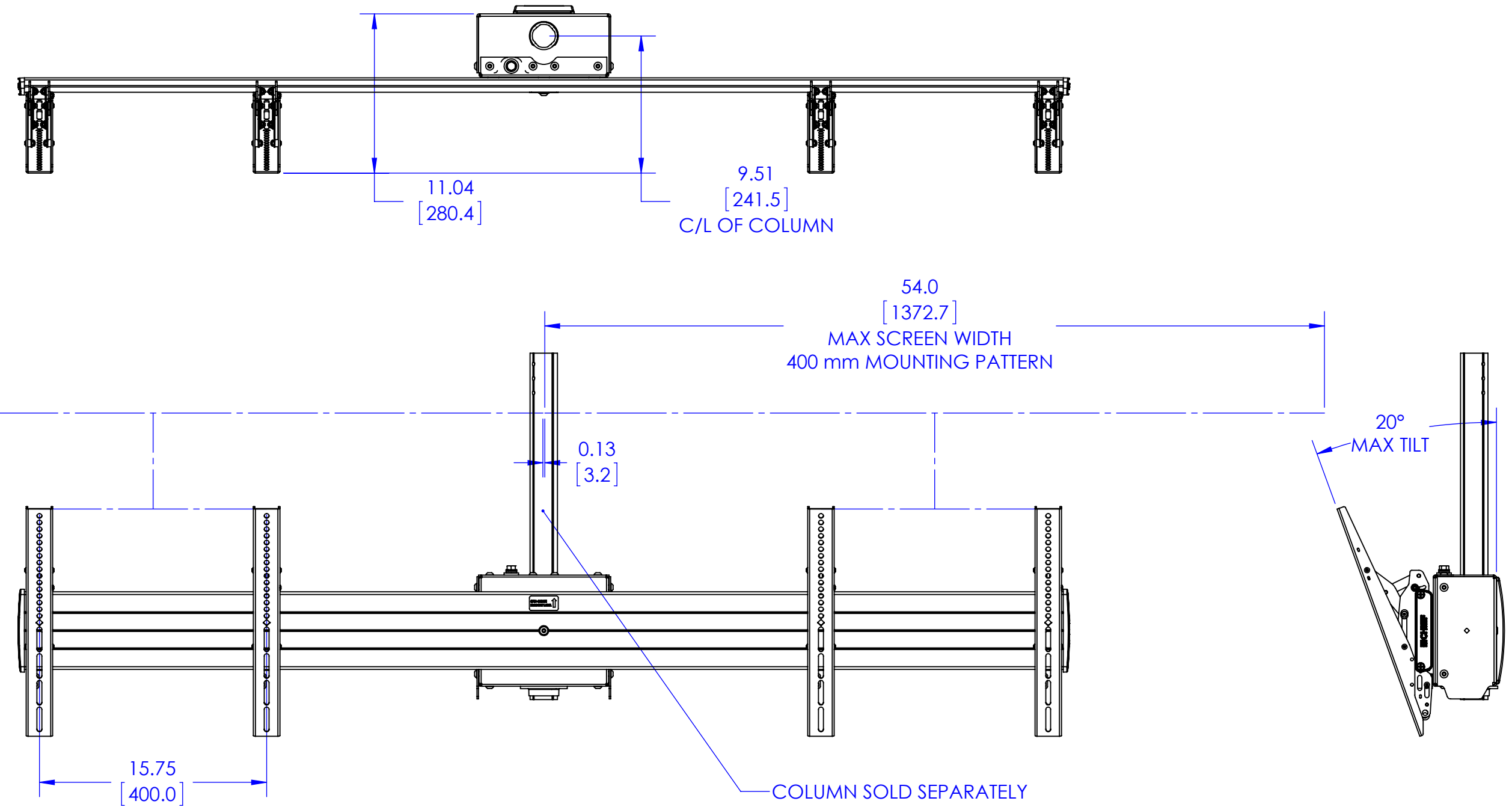


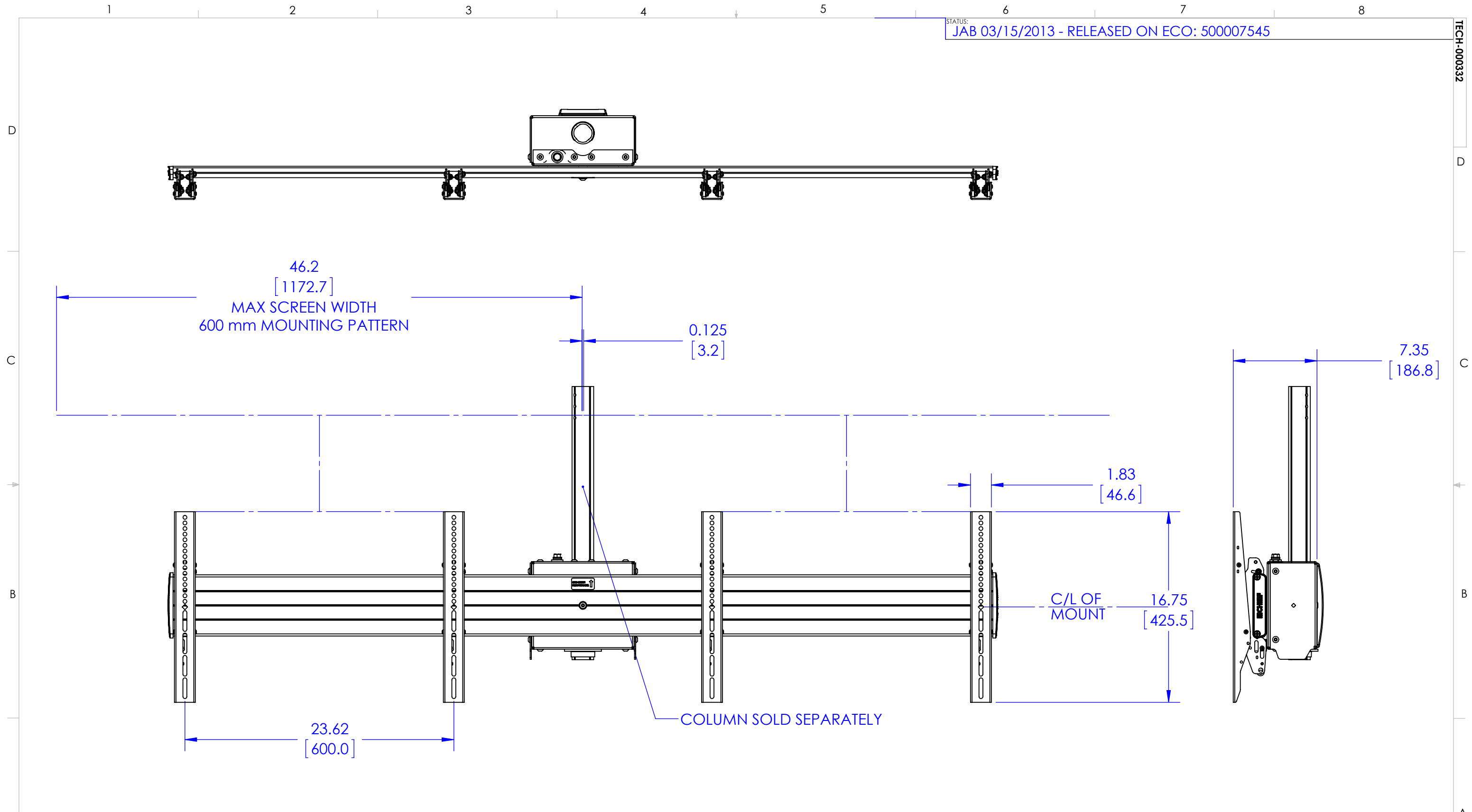
THE INFORMATION AND DESIGNS CONTAINED IN THIS DRAWING ARE CONFIDENTIAL AND THE PROPRIETARY PROPERTY OF MILESTONE AV TECHNOLOGIES NEITHER THIS DESIGN NOR ANY INFORMATION CONTAINED IN THIS DRAWING MAY BE REPRODUCED OR DISCLOSED TO OTHERS WITHOUT THE EXPRESS WRITTEN CONSENT OF MILESTONE AV TECHNOLOGIES.

CAD GENERATED DRAWING, DO NOT MANUALLY UPDATE.			<p>6436 CITY WEST PKWY EDEN PRAIRIE MN, 55344 PHONE: 866-977-3901 FAX: 877-894-6918</p>
DRAWN BY	JAB	3/14/2013	
ENG APPROVAL			DESCRIPTION
MFG APPROVAL			SIDE BY SIDE CEILING MOUNT, SINGLE COLUMN
QA APPROVAL			MODEL NO.
SHEET 1 OF 5			LCM2X1U
SCALE	1:12	SIZE	DWG. NO.
		B	TECH-000332
		REV.	00



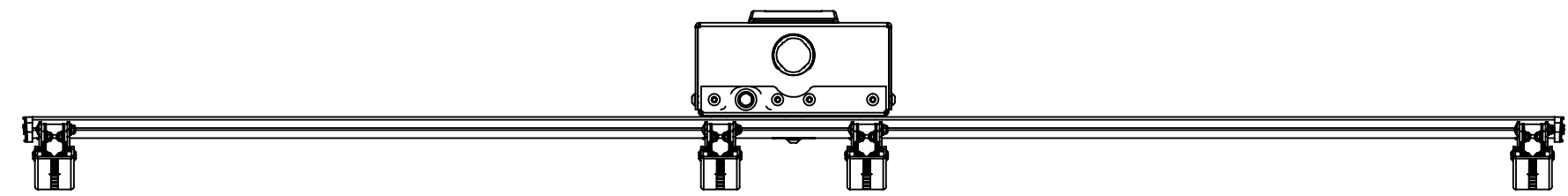
THE INFORMATION AND DESIGNS CONTAINED IN THIS DRAWING ARE CONFIDENTIAL AND THE PROPRIETARY PROPERTY OF MILESTONE AV TECHNOLOGIES NEITHER THIS DESIGN NOR ANY INFORMATION CONTAINED IN THIS DRAWING MAY BE REPRODUCED OR DISCLOSED TO OTHERS WITHOUT THE EXPRESS WRITTEN CONSENT OF MILESTONE AV TECHNOLOGIES.

CAD GENERATED DRAWING, DO NOT MANUALLY UPDATE.			6436 CITY WEST PKWY EDEN PRAIRIE MN, 55344 PHONE: 866-977-3901 FAX: 877-894-6918
DRAWN BY	JAB	3/14/2013	
ENG APPROVAL			DESCRIPTION
MFG APPROVAL			SIDE BY SIDE CEILING MOUNT, SINGLE COLUMN
QA APPROVAL			MODEL NO.
SHEET 2 OF 5			LCM2X1U
SCALE		1:12	SIZE
		B	DWG. NO.
			TECH-000332
			REV.
			00



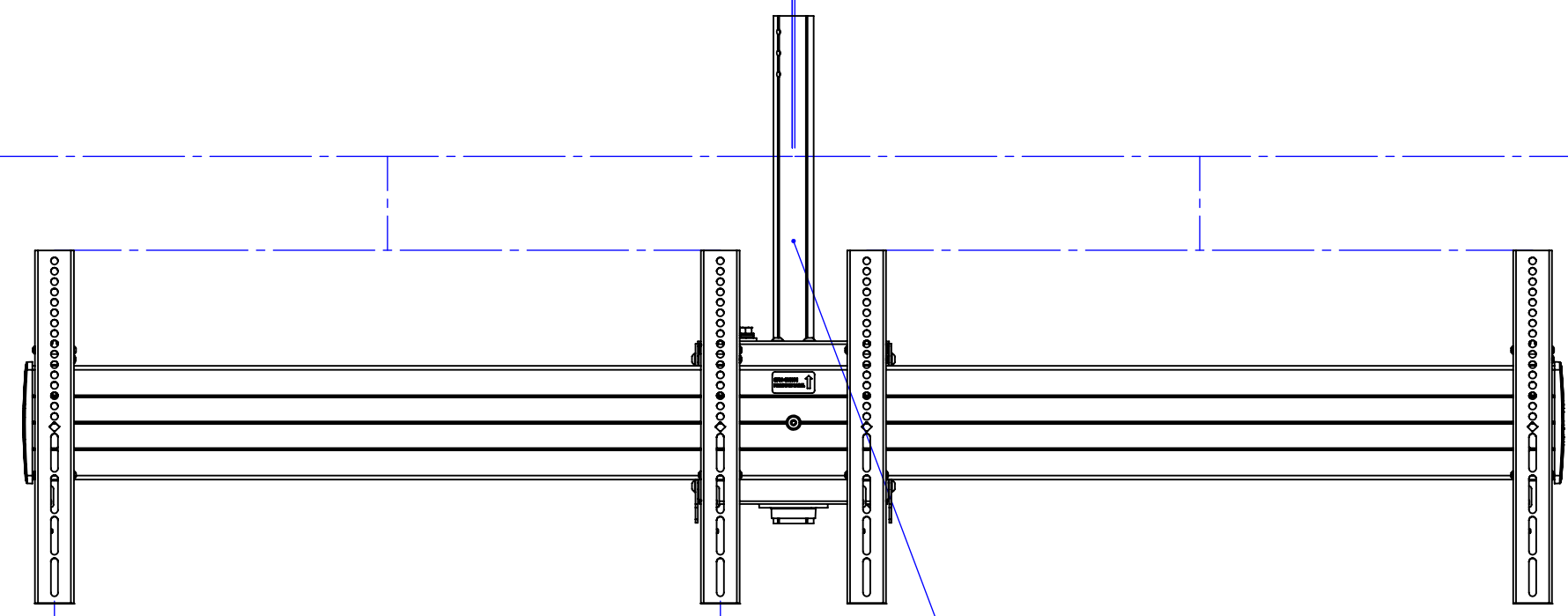
THE INFORMATION AND DESIGNS CONTAINED IN THIS DRAWING ARE CONFIDENTIAL AND THE PROPRIETARY PROPERTY OF MILESTONE AV TECHNOLOGIES NEITHER THIS DESIGN NOR ANY INFORMATION CONTAINED IN THIS DRAWING MAY BE REPRODUCED OR DISCLOSED TO OTHERS WITHOUT THE EXPRESS WRITTEN CONSENT OF MILESTONE AV TECHNOLOGIES.

CAD GENERATED DRAWING, DO NOT MANUALLY UPDATE.			<p>6436 CITY WEST PKWY EDEN PRAIRIE MN, 55344 PHONE: 866-977-3901 FAX: 877-894-6918</p>
DRAWN BY	JAB	3/14/2013	
ENG APPROVAL			DESCRIPTION SIDE BY SIDE CEILING MOUNT, SINGLE COLUMN
MFG APPROVAL			MODEL NO. LCM2X1U
QA APPROVAL			SIZE DWG. NO. REV. B TECH-000332 00
SHEET 3 OF 5			SCALE 1:12



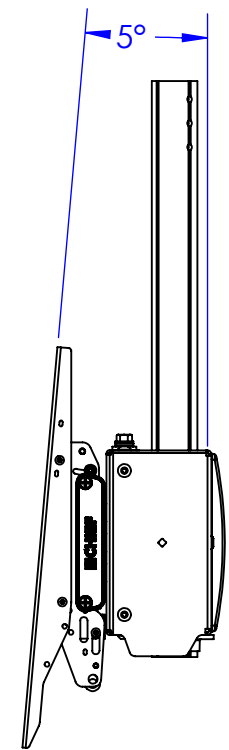
38.3
[972.7]
MAX SCREEN WIDTH
800 mm MOUNTING PATTERN

0.125
[3.2]



31.50
[800.0]

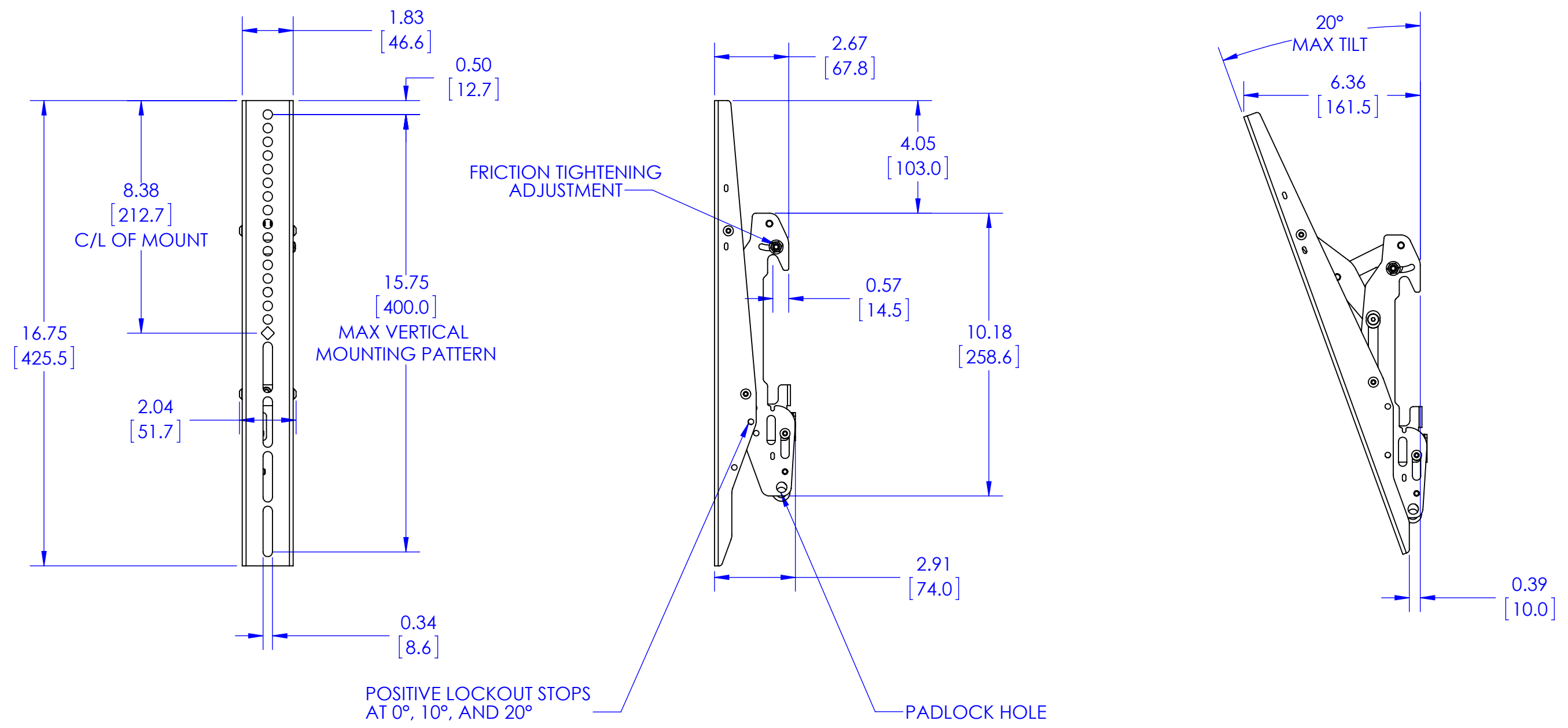
COLUMN SOLD SEPARATELY



THE INFORMATION AND DESIGNS CONTAINED IN THIS DRAWING ARE CONFIDENTIAL AND THE PROPRIETARY PROPERTY OF MILESTONE AV TECHNOLOGIES NEITHER THIS DESIGN NOR ANY INFORMATION CONTAINED IN THIS DRAWING MAY BE REPRODUCED OR DISCLOSED TO OTHERS WITHOUT THE EXPRESS WRITTEN CONSENT OF MILESTONE AV TECHNOLOGIES.

CAD GENERATED DRAWING, DO NOT MANUALLY UPDATE.			<p>6436 CITY WEST PKWY EDEN PRAIRIE MN, 55344 PHONE: 866-977-3901 FAX: 877-894-6918</p>
DRAWN BY	JAB	3/14/2013	
ENG APPROVAL			DESCRIPTION SIDE BY SIDE CEILING MOUNT, SINGLE COLUMN
MFG APPROVAL			MODEL NO. LCM2X1U
QA APPROVAL			SIZE DWG. NO. REV. B TECH-000332 00
SHEET 4 OF 5			SCALE 1:12

D
C
B
A



THE INFORMATION AND DESIGNS CONTAINED IN THIS DRAWING ARE CONFIDENTIAL AND THE PROPRIETARY PROPERTY OF MILESTONE AV TECHNOLOGIES NEITHER THIS DESIGN NOR ANY INFORMATION CONTAINED IN THIS DRAWING MAY BE REPRODUCED OR DISCLOSED TO OTHERS WITHOUT THE EXPRESS WRITTEN CONSENT OF MILESTONE AV TECHNOLOGIES.

CAD GENERATED DRAWING, DO NOT MANUALLY UPDATE.			6436 CITY WEST PKWY EDEN PRAIRIE MN, 55344 PHONE: 866-977-3901 FAX: 877-894-6918
DRAWN BY	JAB	3/14/2013	
ENG APPROVAL			DESCRIPTION SIDE BY SIDE CEILING MOUNT TILTING INTERFACE
MFG APPROVAL			
QA APPROVAL			
SHEET 5 OF 5			MODEL NO. LCM2X1U
SCALE	1:4	SIZE	DWG. NO. TECH-000332
			REV. 00