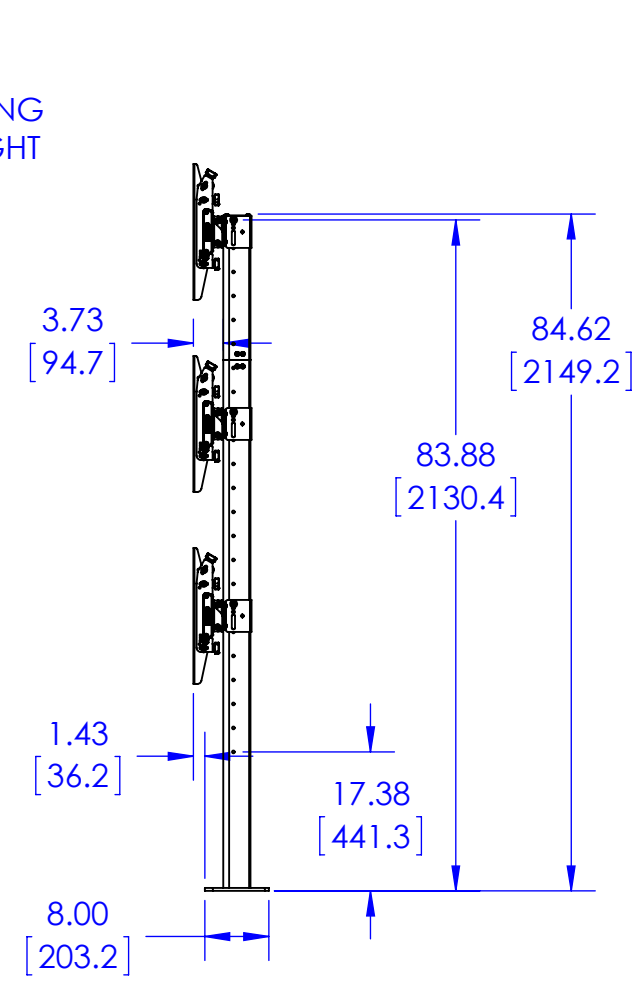
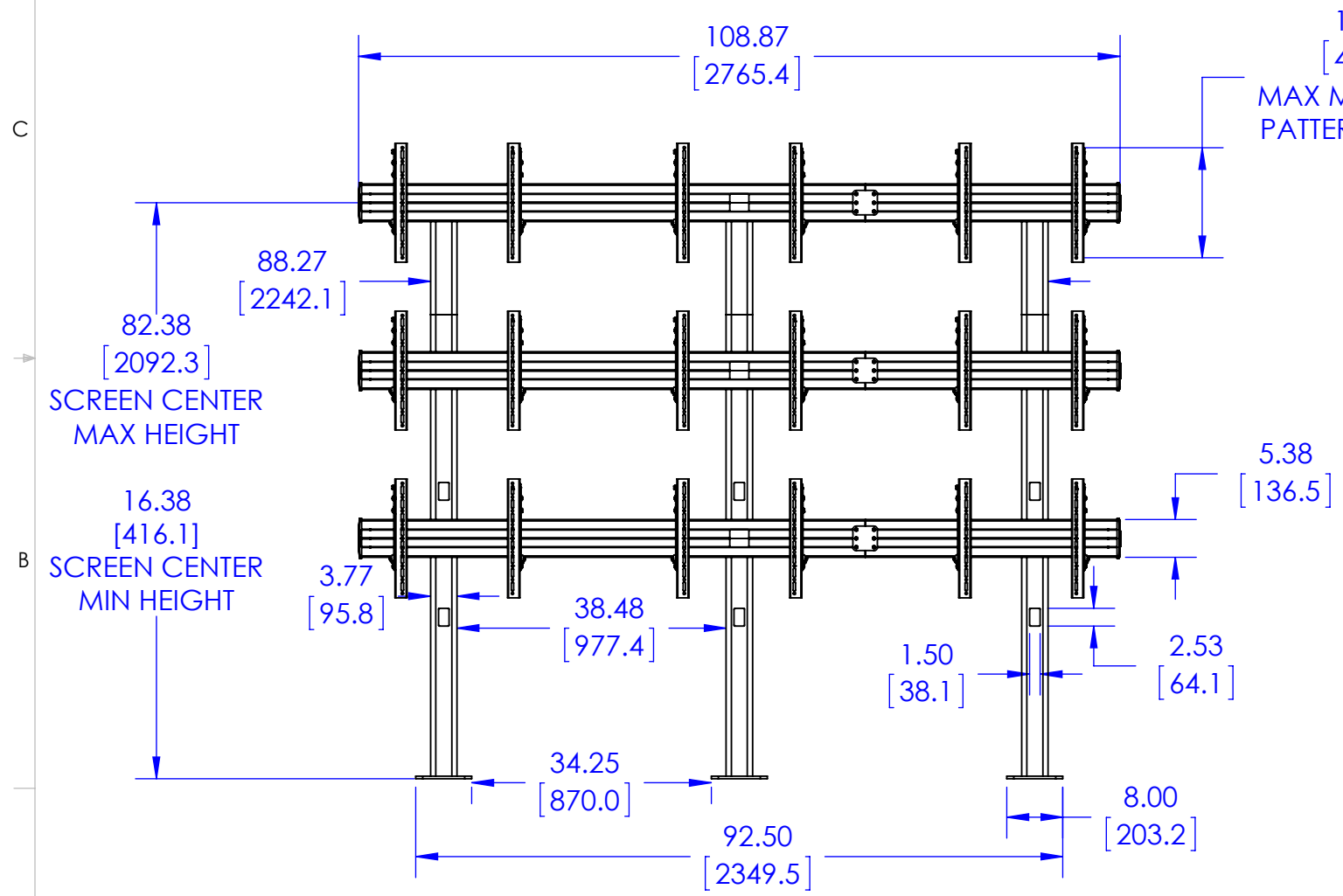
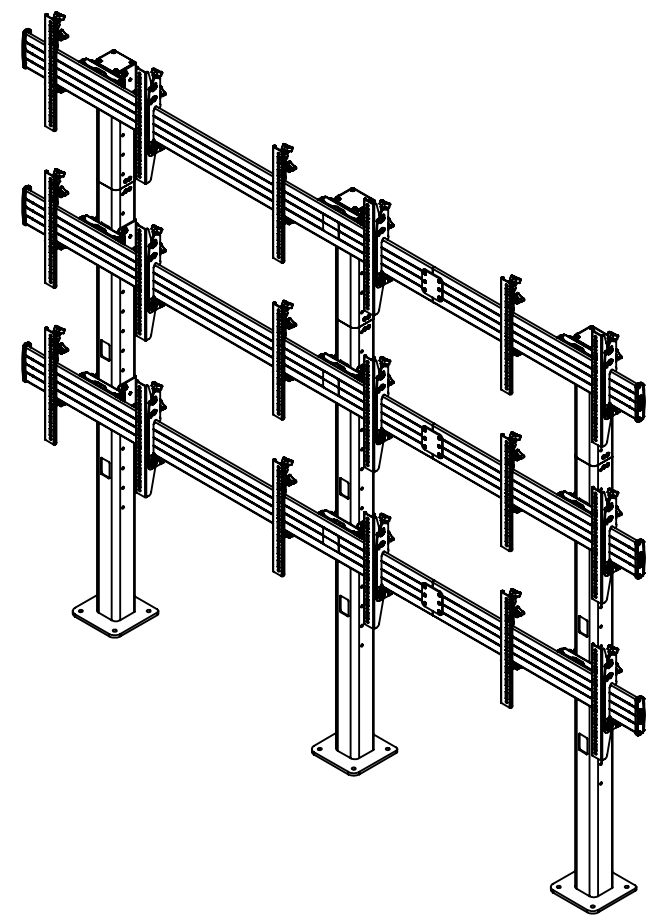


**MAX WEIGHT:
100 LBS PER DISPLAY
900 LBS TOTAL**

STATUS: MJS 12/17/2012 - RELEASED ON ECO: 500006872

TECH-000127



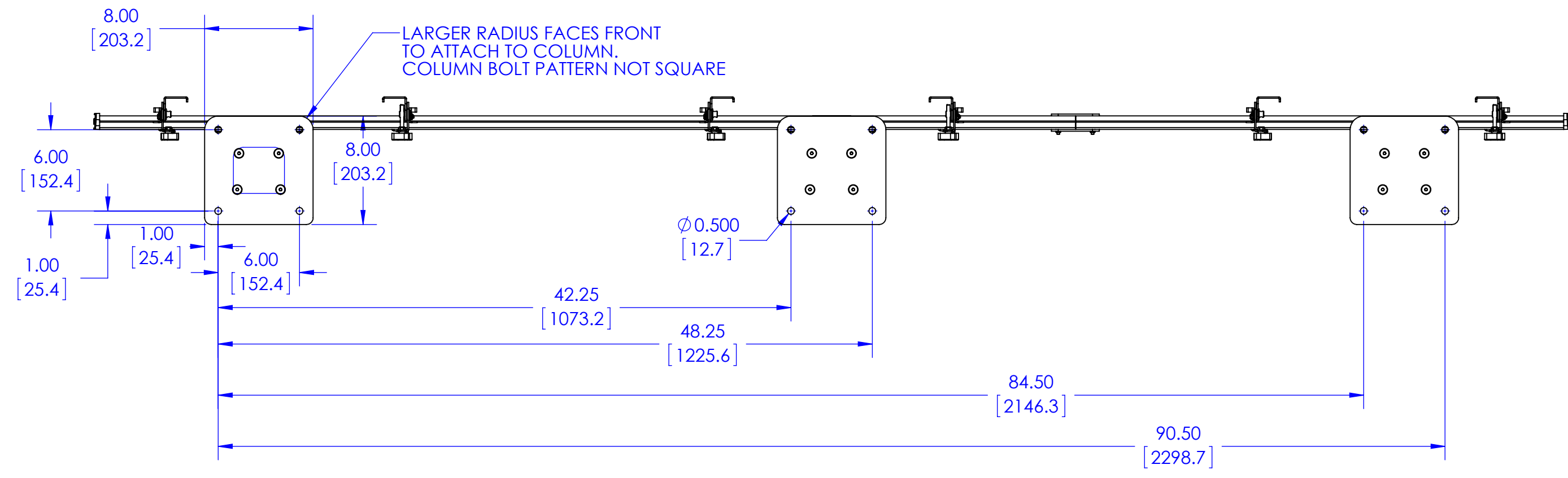
A

THE INFORMATION AND DESIGNS CONTAINED IN THIS DRAWING ARE CONFIDENTIAL AND THE PROPRIETARY PROPERTY OF MILESTONE AV TECHNOLOGIES NEITHER THIS DESIGN NOR ANY INFORMATION CONTAINED IN THIS DRAWING MAY BE REPRODUCED OR DISCLOSED TO OTHERS WITHOUT THE EXPRESS WRITTEN CONSENT OF MILESTONE AV TECHNOLOGIES.

CAD GENERATED DRAWING, DO NOT MANUALLY UPDATE.			6436 CITY WEST PKWY EDEN PRAIRIE MN, 55344 PHONE: 866-977-3901 FAX: 877-894-6918	
DRAWN BY	MJS	12/6/2012		
ENG APPROVAL	MJS	12/6/2012	DESCRIPTION LBM3X3U, BOLT DOWN FUSION 3X3 VIDEO WALL	
MFG APPROVAL			MODEL NO. LBM3X3U	
QA APPROVAL			SIZE B	DWG. NO. TECH-000127
SHEET 1 OF 2		SCALE 1:24	REV. 00	

A

BOTTOM VIEW FOR BOLT DOWN INSTALATION



THE INFORMATION AND DESIGNS CONTAINED IN THIS DRAWING ARE CONFIDENTIAL AND THE PROPRIETARY PROPERTY OF MILESTONE AV TECHNOLOGIES NEITHER THIS DESIGN NOR ANY INFORMATION CONTAINED IN THIS DRAWING MAY BE REPRODUCED OR DISCLOSED TO OTHERS WITHOUT THE EXPRESS WRITTEN CONSENT OF MILESTONE AV TECHNOLOGIES.

CAD GENERATED DRAWING, DO NOT MANUALLY UPDATE.			CHIEF 6436 CITY WEST PKWY EDEN PRAIRIE MN, 55344 PHONE: 866-977-3901 FAX: 877-894-6918
DRAWN BY	MJS	12/6/2012	
ENG APPROVAL	MJS	12/6/2012	DESCRIPTION LBM3X3U, BOLT DOWN FUSION 3X3 VIDEO WALL
MFG APPROVAL			
QA APPROVAL			
SHEET 2 OF 2			MODEL NO. LBM3X3U
SCALE	1:8	SIZE	DWG. NO. B TECH-000127
			REV. 00