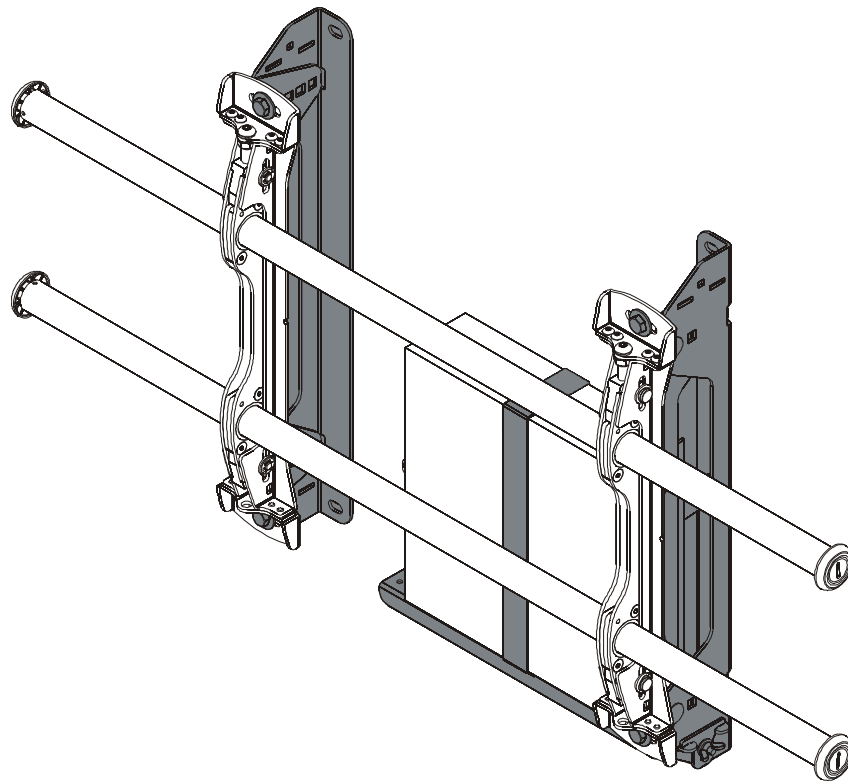

INSTALLATION INSTRUCTIONS



Fusion CPU Extender Accessory

DISCLAIMER

Milestone AV Technologies and its affiliated corporations and subsidiaries (collectively "Milestone"), intend to make this manual accurate and complete. However, Milestone makes no claim that the information contained herein covers all details, conditions or variations, nor does it provide for every possible contingency in connection with the installation or use of this product. The information contained in this document is subject to change without notice or obligation of any kind. Milestone makes no representation of warranty, expressed or implied, regarding the information contained herein. Milestone assumes no responsibility for accuracy, completeness or sufficiency of the information contained in this document.

Chief® is a registered trademark of Milestone AV Technologies. All rights reserved.

! IMPORTANT WARNINGS AND CAUTIONS!

! WARNING: A WARNING alerts you to the possibility of serious injury or death if you do not follow the instructions.

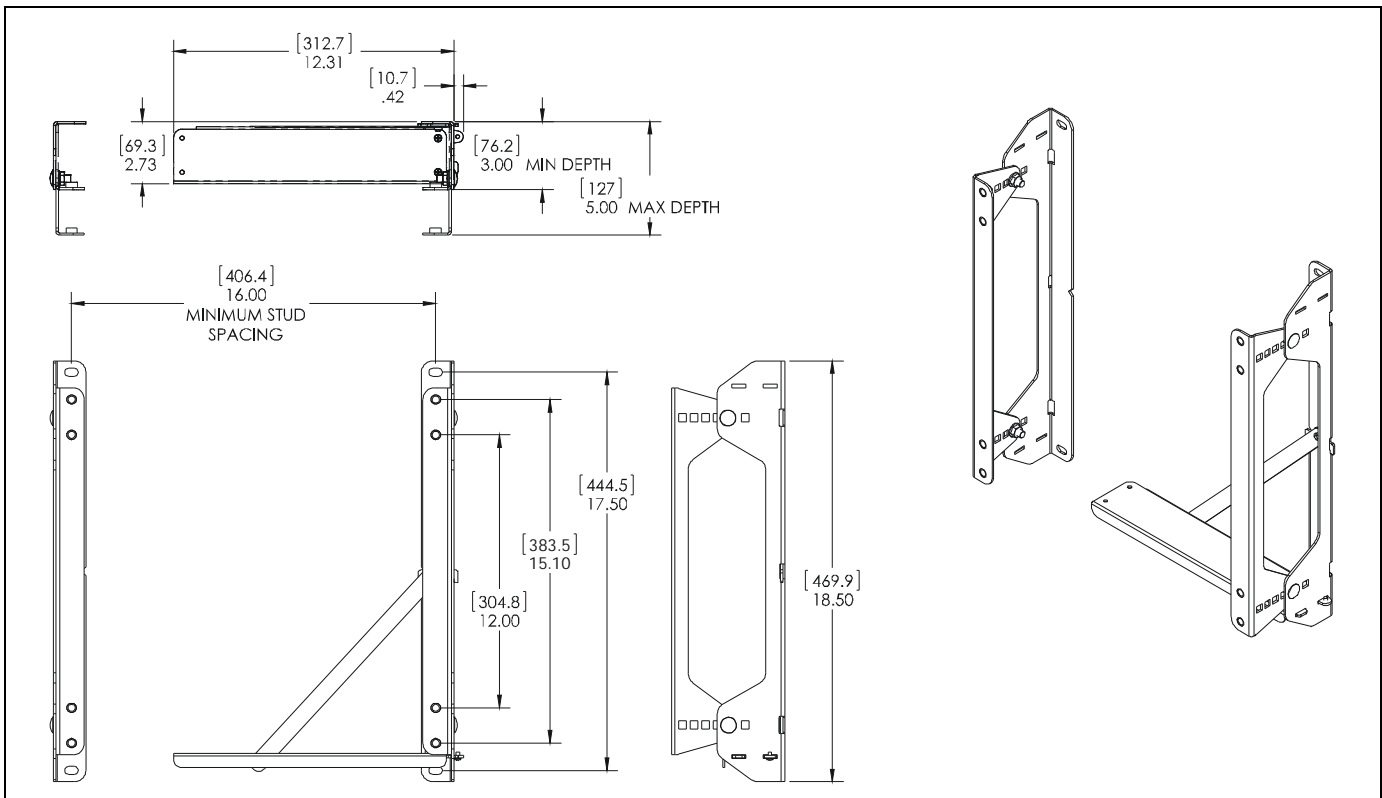
! CAUTION: A CAUTION alerts you to the possibility of damage or destruction of equipment if you do not follow the corresponding instructions.

! WARNING: Failure to read, thoroughly understand, and follow all instructions can result in serious personal injury, damage to equipment, or voiding of factory warranty! It is the installer's responsibility to make sure all components are properly assembled and installed using the instructions provided.

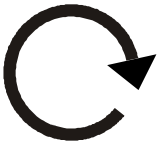

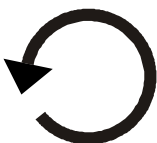









! WARNING: Failure to provide adequate structural strength for this component can result in serious personal injury or damage to equipment! It is the installer's responsibility to make sure the structure to which this component is attached can support five times the combined weight of all equipment. Reinforce the structure as required before installing the component. The wall to which the mount is being attached may have a maximum drywall thickness of 5/8" (1.6cm).

! WARNING: Exceeding the weight capacity can result in serious personal injury or damage to equipment! It is the installer's responsibility to make sure the combined weight of all components attached to the FCA103 does not exceed 250 lbs (113.4 kg) or the maximum weight limit of the specific Fusion mount being attached. The maximum weight that can be installed onto the FCA103 shelf is 30 lbs (13.6 kg).

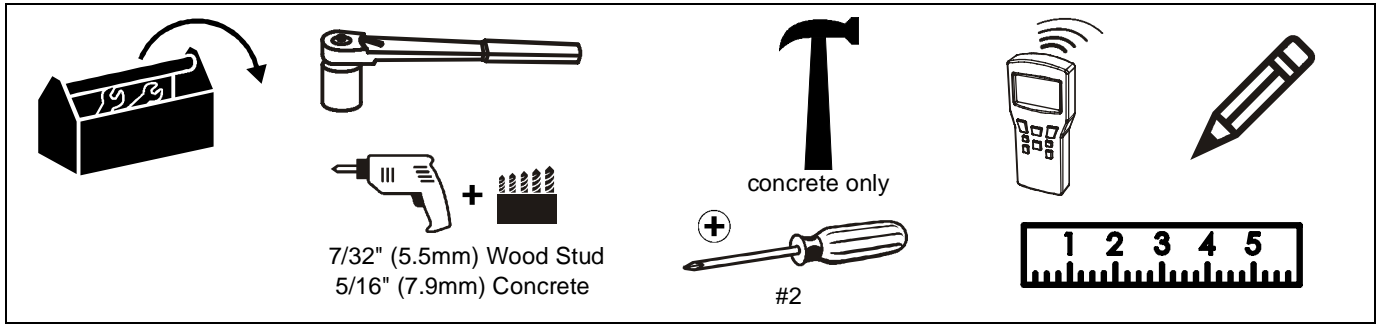
DIMENSIONS



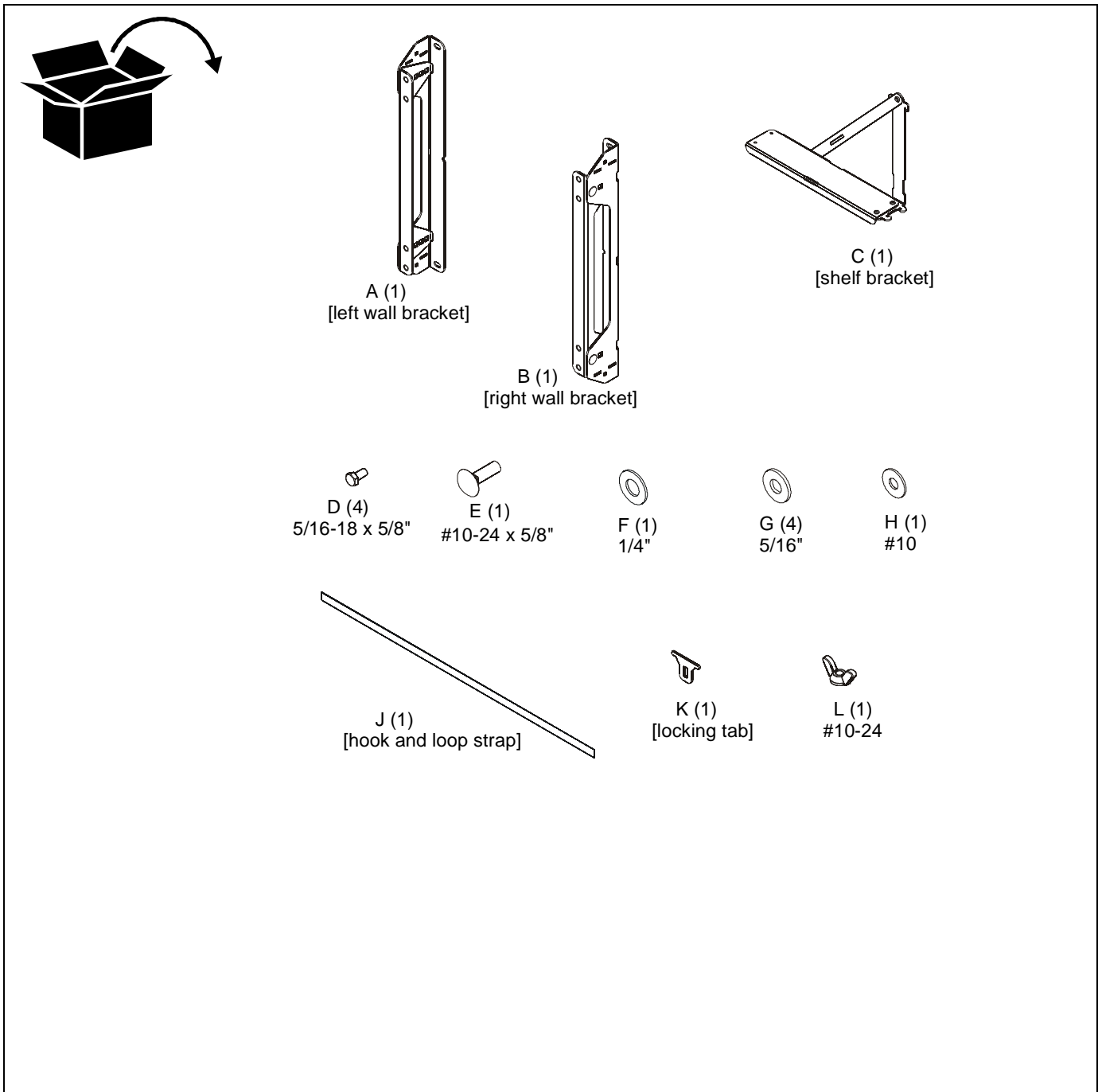
LEGEND

	<p>Tighten Fastener</p> <p>Apretar elemento de fijación</p> <p>Befestigungsteil festziehen</p> <p>Apertar fixador</p> <p>Serrare il fissaggio</p> <p>Bevestiging vastdraaien</p> <p>Serrez les fixations</p>		<p>Pencil Mark</p> <p>Marcar con lápiz</p> <p>Stiftmarkierung</p> <p>Marcar com lápis</p> <p>Segno a matita</p> <p>Potloodmerkten</p> <p>Marquage au crayon</p>
	<p>Loosen Fastener</p> <p>Aflojar elemento de fijación</p> <p>Befestigungsteil lösen</p> <p>Desapertar fixador</p> <p>Allentare il fissaggio</p> <p>Bevestiging losdraaien</p> <p>Desserrez les fixations</p>		<p>Drill Hole</p> <p>Perforar</p> <p>Bohrloch</p> <p>Fazer furo</p> <p>Praticare un foro</p> <p>Gat boren</p> <p>Percez un trou</p>
	<p>Phillips Screwdriver</p> <p>Destornillador Phillips</p> <p>Kreuzschlitzschraubendreher</p> <p>Chave de fendas Phillips</p> <p>Cacciavite a stella</p> <p>Kruiskopschroevendraaier</p> <p>Tournevis à pointe cruciforme</p>		<p>Adjust</p> <p>Ajustar</p> <p>Einstellen</p> <p>Ajustar</p> <p>Regolare</p> <p>Afstellen</p> <p>Ajuster</p>
	<p>Open-Ended Wrench</p> <p>Llave de boca</p> <p>Gabelschlüssel</p> <p>Chave de bocas</p> <p>Chiave a punte aperte</p> <p>Steeksleutel</p> <p>Clé à fourche</p>		<p>Remove</p> <p>Quitar</p> <p>Entfernen</p> <p>Remover</p> <p>Rimuovere</p> <p>Verwijderen</p> <p>Retirez</p>
	<p>By Hand</p> <p>A mano</p> <p>Von Hand</p> <p>Com a mão</p> <p>A mano</p> <p>Met de hand</p> <p>À la main</p>		<p>Optional</p> <p>Opcional</p> <p>Optional</p> <p>Opcional</p> <p>Opzionale</p> <p>Optie</p> <p>En option</p>
	<p>Hex-Head Wrench</p> <p>Llave de cabeza hexagonal</p> <p>Sechskantschlüssel</p> <p>Chave de cabeça sextavada</p> <p>Chiave esagonale</p> <p>Zeskantsleutel</p> <p>Clé à tête hexagonale</p>		<p>Security Wrench</p> <p>Llave de seguridad</p> <p>Sicherheitsschlüssel</p> <p>Chave de segurança</p> <p>Chiave di sicurezza</p> <p>Veiligheidsleutel</p> <p>Clé de sécurité</p>

TOOLS REQUIRED FOR INSTALLATION



PARTS



INSTALLATION

Locate Mounting Site



WARNING: Exceeding the weight capacity can result in serious personal injury or damage to equipment! It is the installer's responsibility to make sure the combined weight of all components attached to the FCA103 does not exceed 250 lbs (113.4 kg) or the maximum weight limit of the specific Fusion mount being attached. The maximum weight that can be installed onto the FCA103 shelf is 30 lbs (13.6 kg).

The FCA103 can be installed to either wood studs or a concrete wall. The minimum distance between fasteners must be 16" whether installing to 2" x 4" wood studs or concrete.

NOTE: Proceed to either the **Installing to a Wood Stud Wall** section or the **Installing to a Concrete Wall** section.

NOTE: If already installed, Fusion mount must be uninstalled prior to FCA103 installation. Set aside wall mounting hardware as it will be used again for FCA103 mounting.

Installing to a Wood Stud Wall

1. Determine the center of the TV screen, and where it should be located on the wall.
2. Locate the closest 2" x 4" stud to the left and right of the selected location.

NOTE: If the screen area lies over a stud, use that stud and the stud to either the left or right of it.

3. Line up the notches on mount (A) with center of screen marking to determine vertical center. (See Figure 1)
4. Measure up 8 3/4" (222.2 mm) from the center point to mark location of the upper mounting slots.

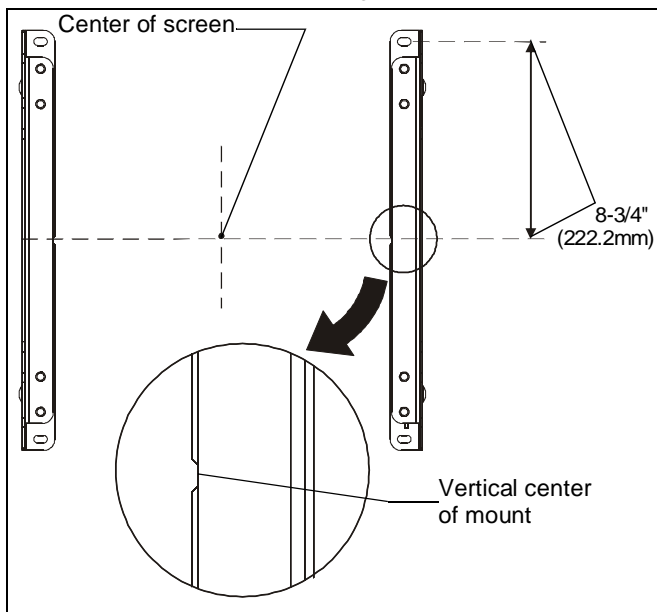


Figure 1

5. Using a level, mark the wall on each stud to attach the brackets through the upper mounting slots. (See Figure 2)



WARNING: ELECTRICAL SHOCK HAZARD! CUTTING

OR DRILLING INTO ELECTRICAL CORDS OR CABLES CAN CAUSE DEATH OR SERIOUS PERSONAL INJURY! ALWAYS make certain area behind mounting surface is free of electrical wires and cables before drilling or installing fasteners.



WARNING: EXPLOSION AND FIRE HAZARD! CUTTING OR DRILLING INTO GAS PLUMBING CAN CAUSE DEATH OR SERIOUS PERSONAL INJURY! ALWAYS make certain area behind mounting surface is free of gas, water, waste, or any other plumbing before cutting, drilling, or installing fasteners.

6. Drill one 7/32" (5.5mm) pilot hole in each stud.
7. Use two 5/16 x 2-1/2" lag bolts and two 5/16" flat washers to attach top of brackets (A and B) to wall. (See Figure 2)

NOTE: If desired CPU location is off to the side of the display, reverse brackets (A and B) from how they are shown in Figure 2.

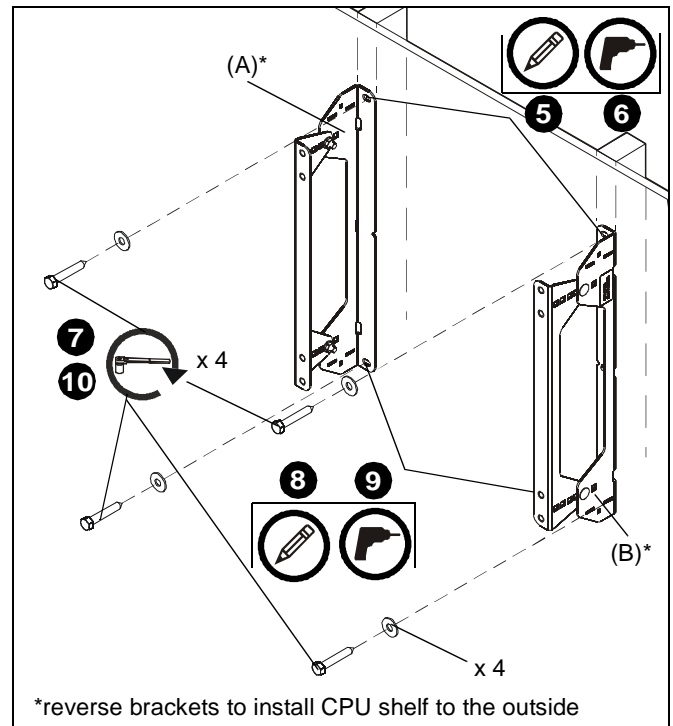


Figure 2

8. Mark the attachment points for the lower mounting slots, making sure the attachment points are located on the studs. (See Figure 2)
9. Drill 7/32" (5.5mm) pilot holes at markings for lower mounting holes. (See Figure 2)
10. Use two 5/16 x 2-1/2" lag bolts and two 5/16" flat washers to attach the mount to the wall through the lower mounting holes. (See Figure 2)
11. Proceed to Installing Shelf to Brackets Section.

Installing to a Concrete Wall

1. Determine the center of the TV screen, and where it should be located on the wall.
2. Line up the notches on bracket (A and B) with center of screen marking to determine vertical center. (See Figure 1)
3. Measure up 8 3/4" (222.2mm) from the center point to mark location of the upper mounting slots. (See Figure 1)
4. Using a level, mark the wall through both upper mounting slots. (See Figure 3)



CAUTION: MINIMUM HORIZONTAL DISTANCE BETWEEN WALL BRACKETS IS 16" (406.4mm). Do not place mounting brackets closer together than 16" (406.4mm).



WARNING: INSTALLING THE FCA103 INTO UNDERRATED OR DAMAGED CONCRETE CAN LEAD TO SERIOUS INJURY OR DAMAGE TO PRODUCT! When installing into concrete, only install the FCA103 into concrete at least 8" in depth or into 8"x8"x16" concrete blocks! Never install the FCA103 into cracked, chipped or flaking concrete.



WARNING: ELECTRICAL SHOCK HAZARD! CUTTING OR DRILLING INTO ELECTRICAL CORDS OR CABLES CAN CAUSE DEATH OR SERIOUS PERSONAL INJURY! ALWAYS make certain area behind mounting surface is free of electrical wires and cables before drilling or installing fasteners.



WARNING: EXPLOSION AND FIRE HAZARD! CUTTING OR DRILLING INTO GAS PLUMBING CAN CAUSE DEATH OR SERIOUS PERSONAL INJURY! ALWAYS make certain area behind mounting surface is free of gas, water, waste, or any other plumbing before cutting, drilling, or installing fasteners.

5. Drill one 5/16" (7.9mm) pilot hole at each marking.
 6. Install an anchor into each pilot hole using a hammer, making sure that the anchor is flush with the wall.
- NOTE:** If desired CPU location is off to the side of the display, reverse brackets (A and B) from how they are shown in Figure 3.
- NOTE:** Either Fischer UX10 anchors or the concrete anchors shipped with the Fusion mount may be used.
7. Use two 5/16 x 2-1/2" lag bolts and two 5/16" flat washers to attach top of brackets (A and B) to anchors in wall.
 8. Mark the attachment points for the lower mounting slots. (See Figure 3)
 9. Drill one pilot hole at each marking for lower mounting holes. (See Figure 3)
 10. Install an anchor into each pilot hole using a hammer.
 11. Use two 5/16 x 2-1/2" lag bolts and two 5/16" flat washers to attach the brackets to the wall through the lower mounting holes. (See Figure 3)

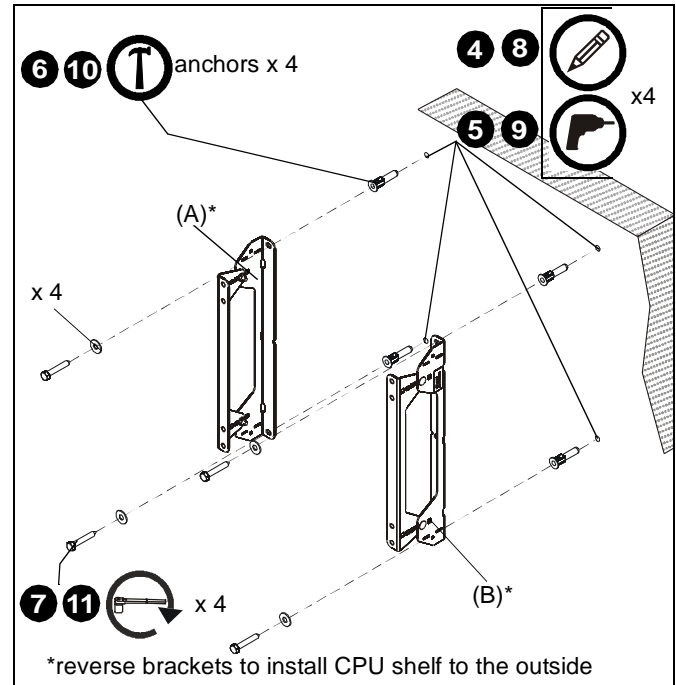


Figure 3

Installing Shelf to Brackets

1. Hang shelf bracket (C) onto right wall bracket (B). (See Figure 4)

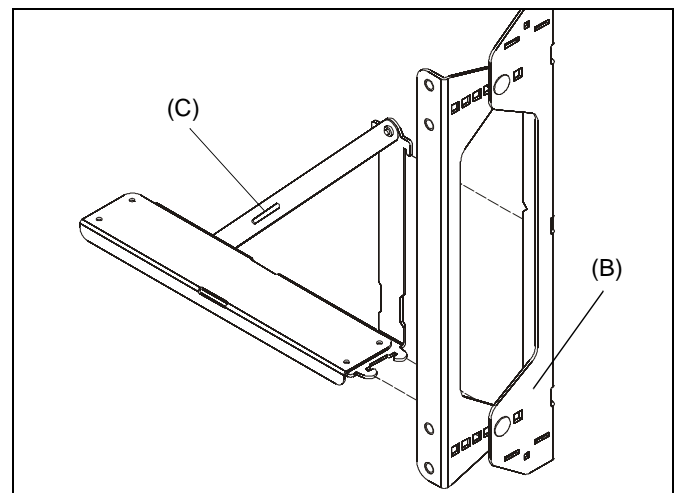


Figure 4

2. Use #10-24 x 5/8" carriage bolt (E), #10-24 wing nut (L), 1/4" washer (F) and #10 washer (H) to secure locking tab (K) to right wall bracket (B). (See Figure 5)

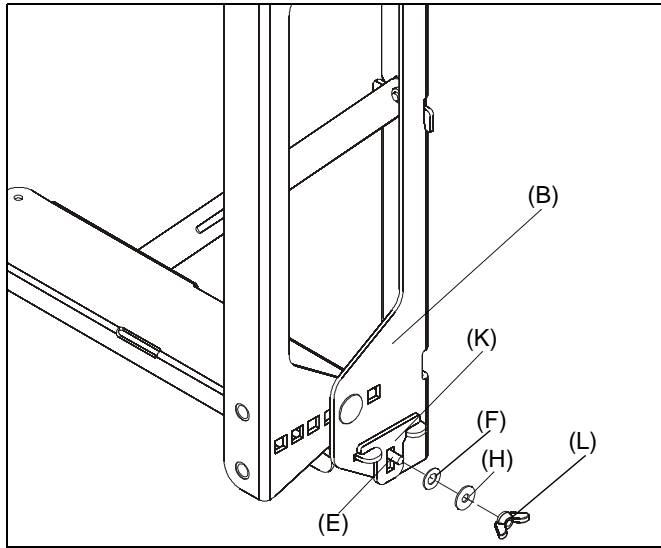


Figure 5

3. Adjust depth of brackets depending on depth of CPU to install. Remove four screws and nuts holding adjustment screws in place and replace after desired depth is achieved. (See Figure 6)

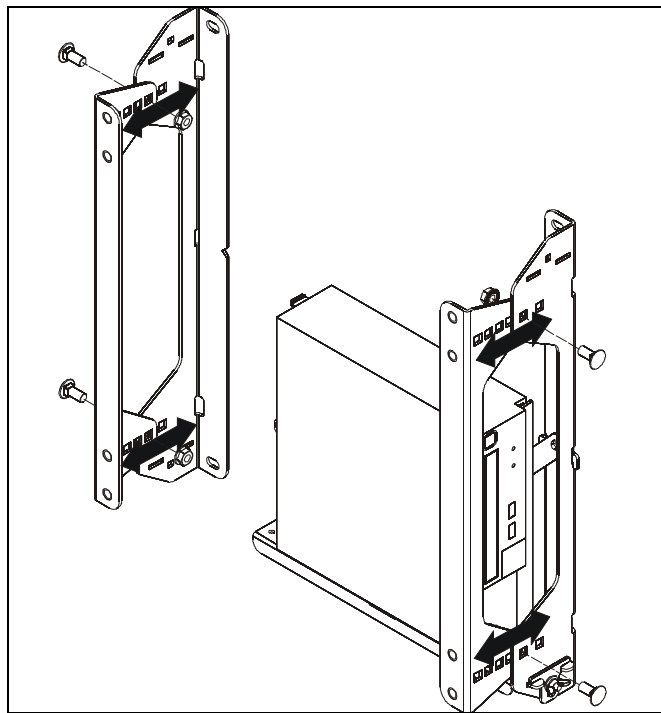


Figure 6

4. Make all CPU connections and place CPU securely on shelf.
5. Use hook and loop strap (J) to secure CPU to shelf (C). (See Figure 7)

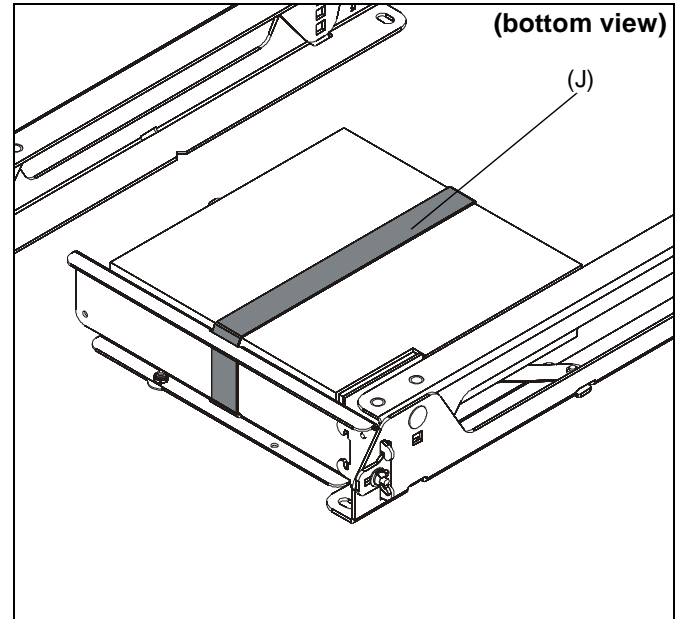


Figure 7

Installing Fusion Mount to FCA103

1. Use four 5/16-18 x 5/8" hex head bolts (D) and four 5/16" washers (G) to secure Fusion rail mount to brackets (A and B). (See Figure 8)

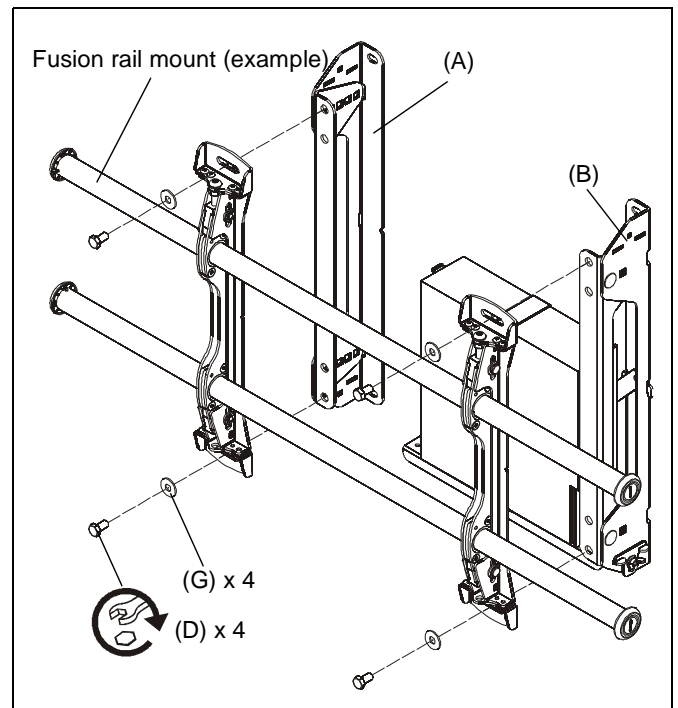


Figure 8

2. Install display to Fusion mount following the Fusion mount's installation instructions.



Our Mounts. **Your Vision.**

Chief Manufacturing, a products division
of Milestone AV Technologies

8800-002103 Rev00
©2011 Milestone AV Technologies, a
Duchossois Group Company
www.chiefmfg.com
08/11

USA/International A 8401 Eagle Creek Parkway, Savage, MN 55378
P 800.582.6480 / 952.894.6280
F 877.894.6918 / 952.894.6918

Europe A Fellenoord 130 5611 ZB EINDHOVEN, The Netherlands
P +31 (0)40 2668620
F +31 (0)40 2668615

Asia Pacific A Room 24F, Block D, Lily YinDu International Building
LuoGang, BuJi Town, Shenzhen, CHINA.
深圳市布吉罗岗村百合银都国际大厦D栋24F
P +86-755-8996 9226
F +86-755-8996 9217

