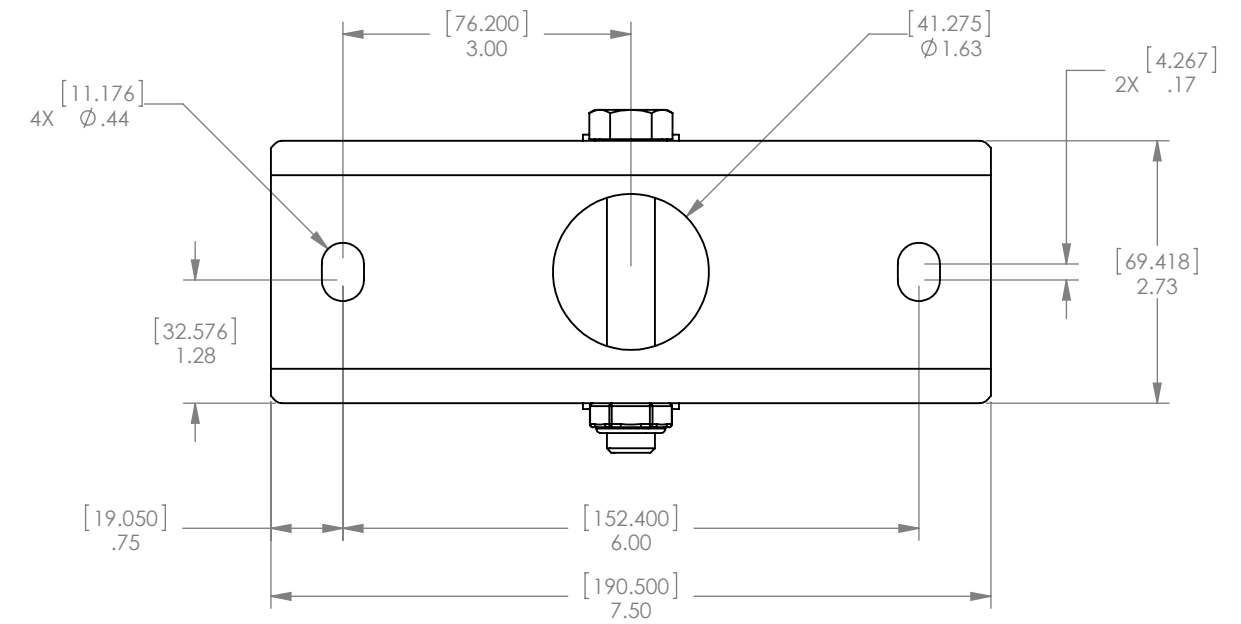
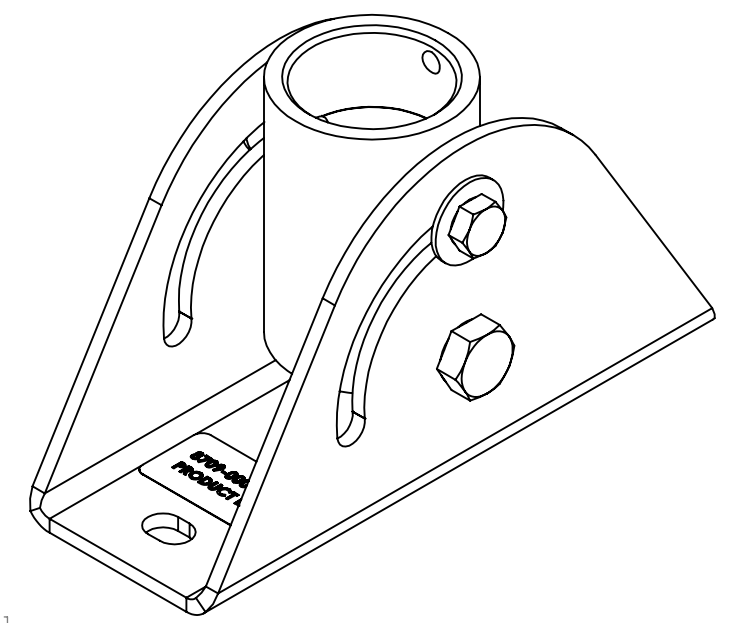
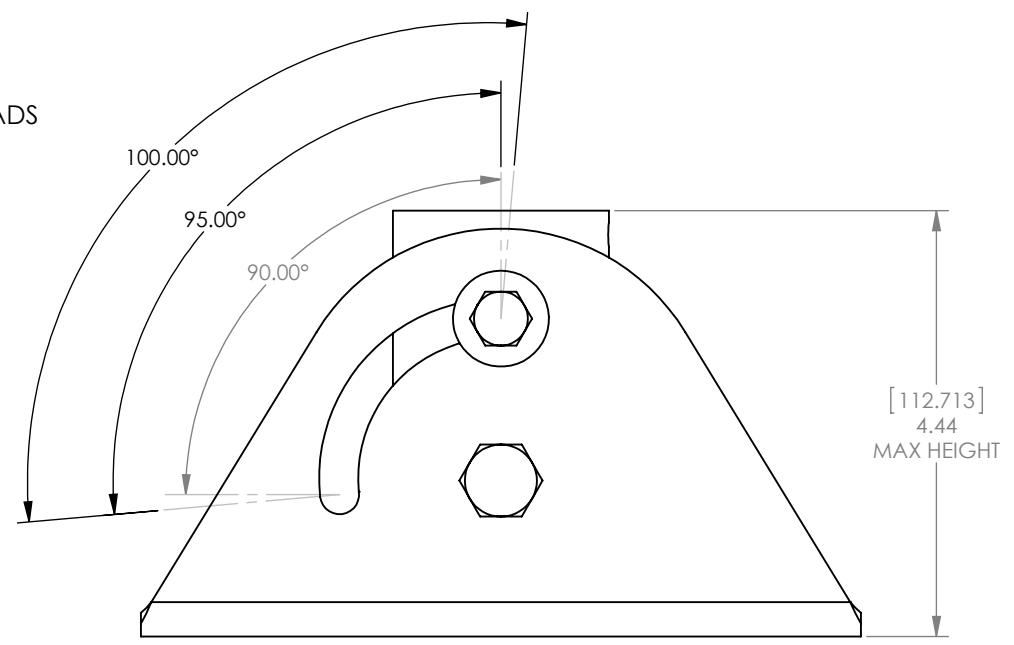
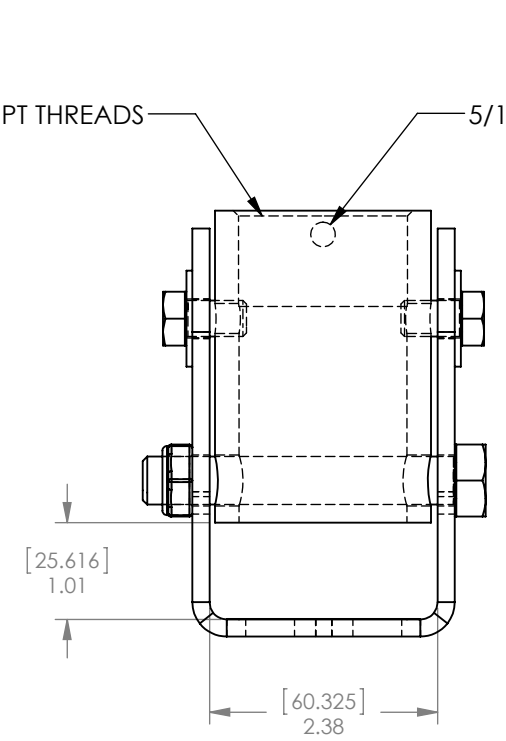


1 1/2" NPT THREADS
5/16 - 18 UNC THREADS



MAX. WEIGHT 500 LBS.



CHIEF MANUFACTURING INC.
MOUNT ORDER NUMBER IS CMA395
PHONE: 1-800-582-6480

THE INFORMATION AND DESIGNS CONTAINED IN THIS DRAWING ARE CONFIDENTIAL AND THE PROPRIETARY PROPERTY OF MILESTONE AV TECHNOLOGIES. NEITHER THIS DESIGN NOR ANY INFORMATION CONTAINED IN THIS DRAWING MAY BE REPRODUCED OR DISCLOSED TO OTHERS WITHOUT THE EXPRESS WRITTEN CONSENT OF MILESTONE AV TECHNOLOGIES.

CHIEF 8401 EAGLE CREEK PKY
SAVAGE, MN 55378
PHONE: 952-894-6280
FAX: 877-894-6918

TITLE
**CUSTOMER PRINT,
ASSEMBLY, ANGLED CEILING
ADAPTER CMA395**

SIZE | DWG. NO.
B BRACKET ORDER # CMA395