

INSTALLATION GUIDE

AXIS T91A63 Ceiling Mount

ENGLISH

About this Document

This document includes instructions for installing the AXIS T91A63 Mounting Accessory.

Equipment Modifications

This equipment must be installed and used in strict accordance with the instructions given in the user documentation.

Liability

Every care has been taken in the preparation of this document. Please inform your local Axis office of any inaccuracies or omissions. Axis Communications AB cannot be held responsible for any technical or typographical errors and reserves the right to make changes to the product and documentation without prior notice. Axis Communications AB makes no warranty of any kind with regard to the material contained within this document, including, but not limited to, the implied warranties of merchantability and fitness for a particular purpose. Axis Communications AB shall not be liable nor responsible for incidental or consequential damages in connection with the furnishing, performance or use of this material.

Support

Should you require any technical assistance, please contact your Axis reseller. If your questions cannot be answered immediately, your reseller will forward your queries through the appropriate channels to ensure a rapid response. If you are connected to the Internet, you can:

- find answers to resolved problems in the FAQ database. Search by product, category, or phrases
- report problems to Axis support by logging in to your private support area.

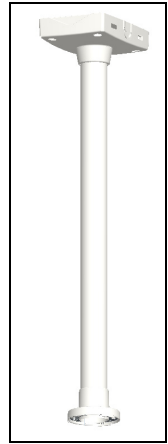
AXIS T91A63 Ceiling Bracket

This installation guide provides instructions for installing the ceiling bracket for Axis network cameras. For all other aspects of using the Axis network camera, please see the Installation Guide and User's Manual, available from www.axis.com/techsup

Installation steps

- Check the package contents against the list below Hardware overview. See page 4
- Installation instructions. See page 5

Important!
This product must be used in compliance with local laws and regulations.

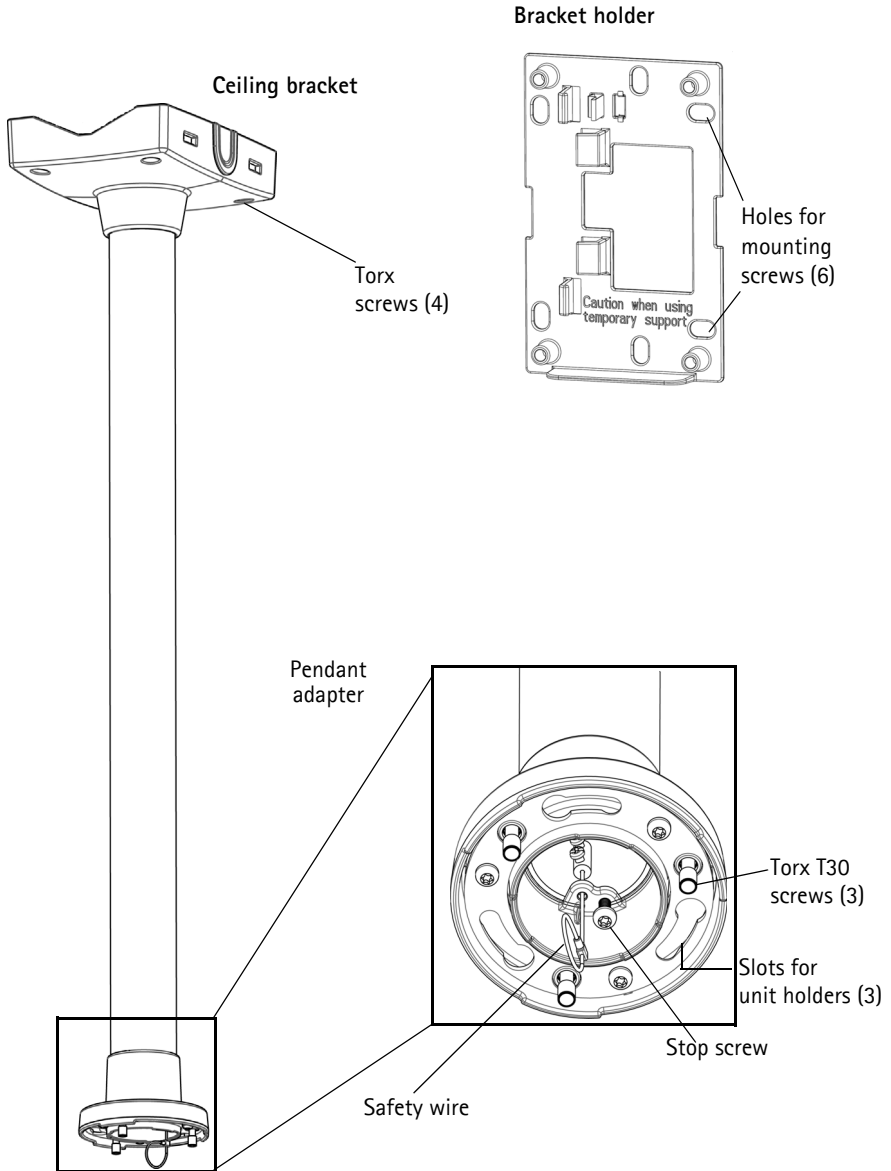


ENGLISH

Package contents

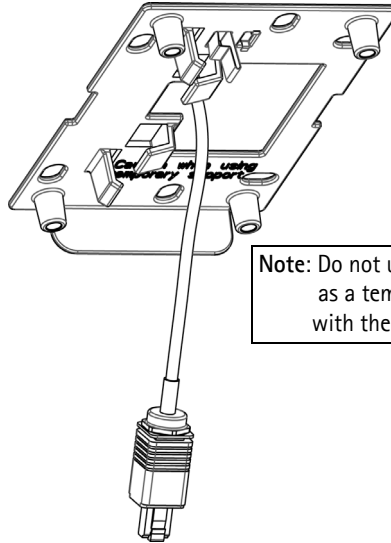
Item	
AXIS T91A63	Bracket holder
	Ceiling bracket

Hardware overview



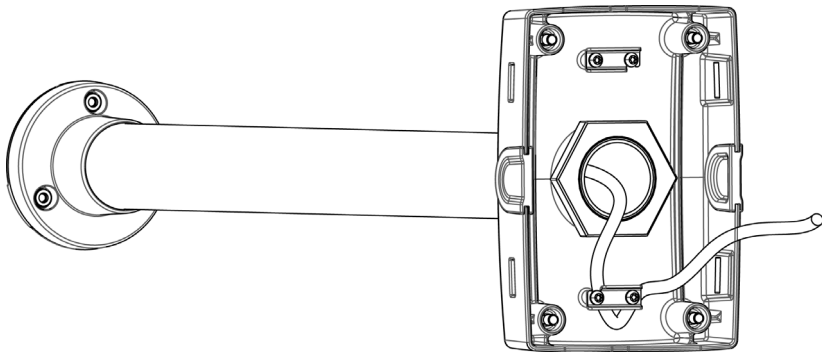
Install the AXIS T91A63 Ceiling Mount

1. Refer to *Hardware overview*, on page 4 for information on the supplied parts.
2. Route the network cable through ceiling.
3. Attach the **bracket holder** at the desired position in the ceiling using screws that are appropriate for the ceiling material and the total weight of the pendant kit, camera and bracket. Maximum weight allowed 15kg (33lbs).

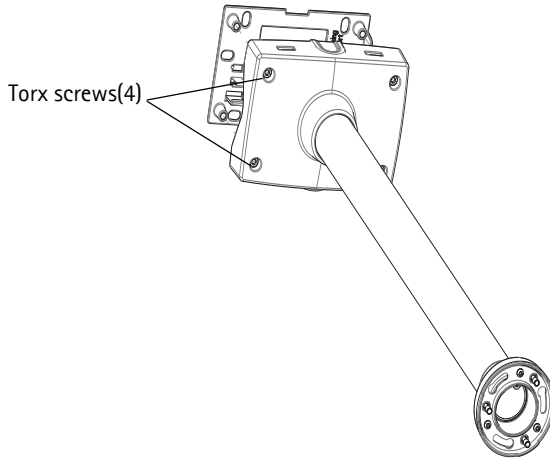


Note: Do not use bracket holder as a temporary support with the ceiling bracket.

4. Route the necessary cables through the **ceiling bracket**, securing it in the cable holder.



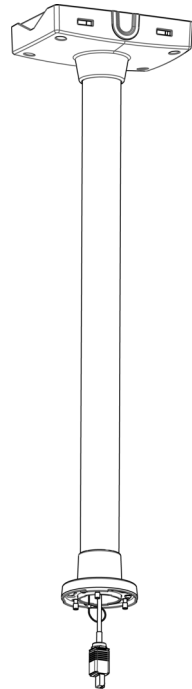
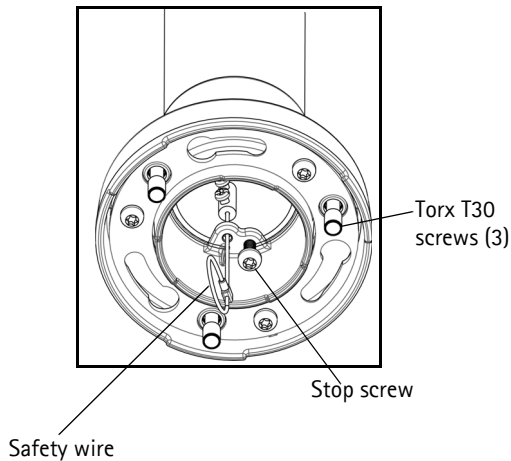
5. Use the Torx screws to secure the ceiling bracket to the bracket holder



6. Refer to the camera installation guide for specific instructions on installing your camera.

Note:

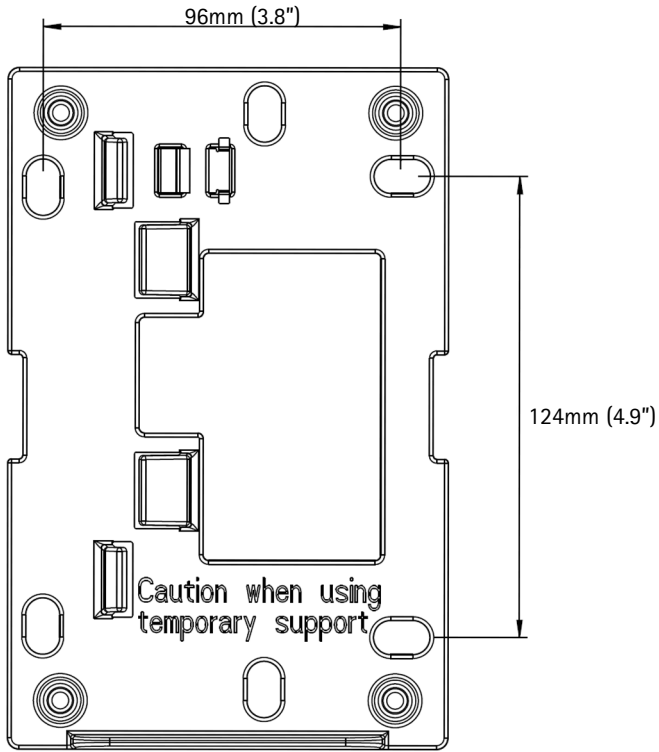
Some installations may require the supplied pendant adapter to be replaced which is done by loosening the stop screw and unscrewing the adapter. In this case, refer to the Installation Guide included with the pendant kit.



Technical Data

	AXIS T91A63 Corner Mount
Size (width/height/ depth)	195 x 750 x 138 mm 7.7 x 29.5 x 5.4 inches
Weight	1900g / 4.2lbs
Max. weight supported	15kg / 33lbs
Material	Aluminum
Color code	NCS S 1002-B
Mounting holes (diameter)	9mm / 3.5 inch

Bracket holder



Installation Guide

AXIS T91A63

© Axis Communications AB, 2009

Ver.1.00

Printed: October 2009

Part No. 36726