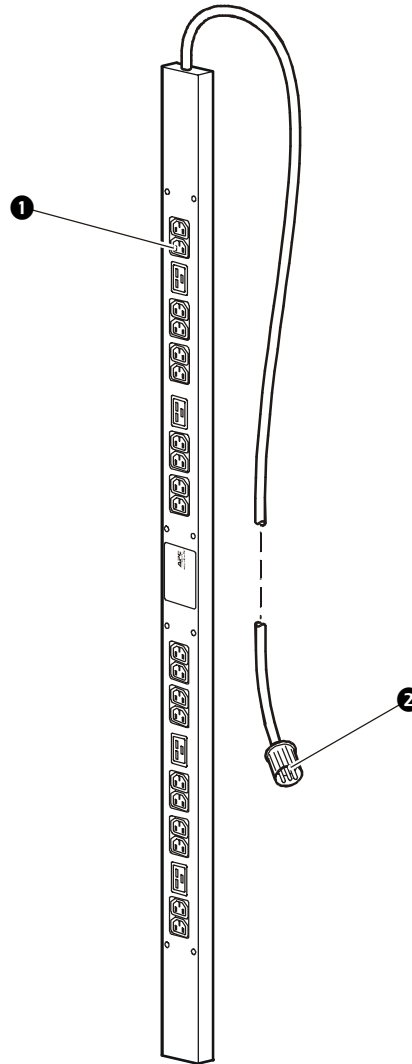


Rack Power Distribution Unit—AP7552

Description

This booklet provides information on installing and operating the AP7552, a single-phase Rack Power Distribution Unit (PDU).



- ❶ 20 IEC-320-C13 outlets; 4 IEC-320-C19 outlets
- ❷ IEC-320-C20 plug

Inventory

Quantity	Item
2	Cord retention tray (with 8 flat-head screws and 24 wire ties)
1	Basic and Metered PDU <i>Utility</i> CD
1	Warranty registration card

Translations

This manual is available in English on the enclosed CD.

Dieses Handbuch ist in Deutsch auf der beiliegenden CD-ROM verfügbar.

Ce manuel est disponible en français sur le CD-ROM ci-inclus.

Questo manuale è disponibile in italiano nel CD-ROM allegato.

ΕΙΝΟΔΟΕΟΕΒ ΙΙ ΕΝΙΙΕÜÇÍÁÁΙΕΠ ΙΑ ΔΟÑÑÊÏ ÒÇÛÊÁ İĐÈÈÁÁÁÁÒÑΒ ΙÁ ÄÈÑÊÁ (CD).

Instrukcja Obsługi w języku polskim jest dostępna na CD.

Este manual está disponible en español en el CD-ROM adjunto.

This manual is available in Turkish on the enclosed CD.

Receiving inspection

Inspect the package and contents for shipping damage, and make sure that all parts were sent. Report any damage immediately to the shipping agent, and report missing contents, damage, or other problems immediately to APC or your APC reseller.

Please recycle



The shipping materials are recyclable. Please save them for later use, or dispose of them appropriately.

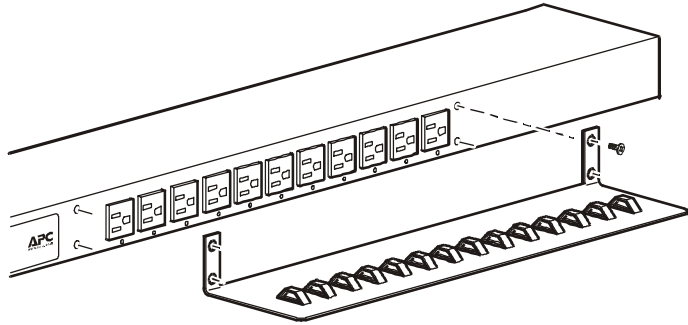
InfraStruXure certified

This product is certified for use in InfraStruXure systems. See the InfraStruXure Manager's configuration instructions included with your system.

How to Install the PDU

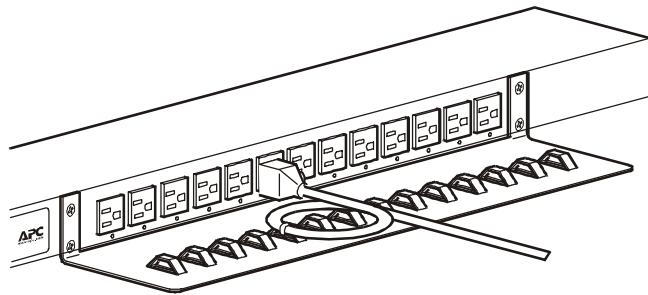
Attach the cord retention trays

Attach the cord retention trays to the PDU, using four flat-head screws (provided) per tray.



Attach cords to the tray

Attach a cord to the tray by looping the cord and securing it to the tray, using a wire tie (provided).



Note

Each cord must be secured to the tray so that you can unplug it from the PDU without removing the wire tie.

Mounting options

Install the PDU in the rear of the NetShelter VX Enclosure, in the cable channel directly behind the rear vertical mounting rails. You can install the PDU in one of two ways: using toolless mounting pegs (provided) or the mounting brackets (sold separately).

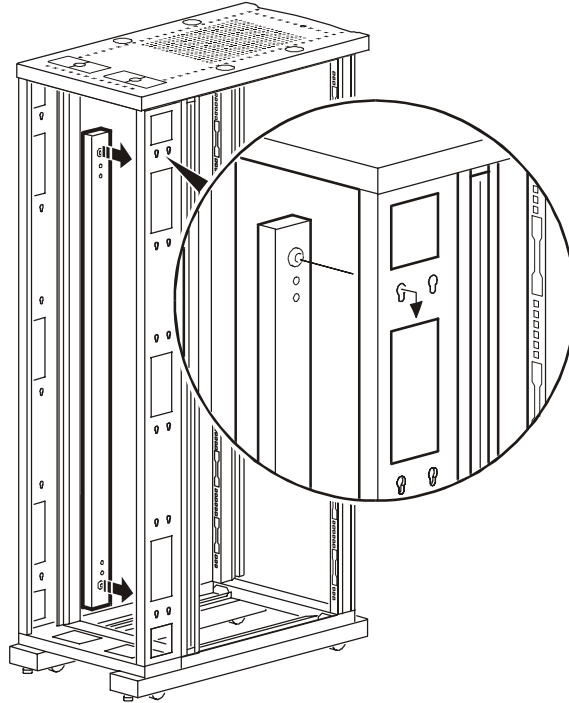


Note

You can order a rack-mount bracket kit from APC (AR8116BLK).

Toolless mounting

1. Slide the mounting pegs into the holes located in the channel in the rear panel of the enclosure.
2. Snap the PDU into place by pushing it downward until it locks into position.



Note

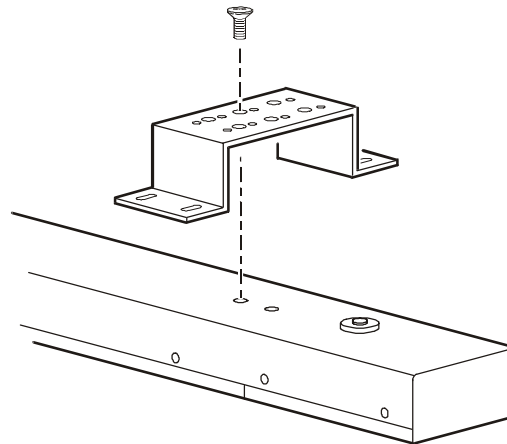
You can mount two PDUs on one side of the enclosure by using the toolless mounting method.

Bracket-mounting

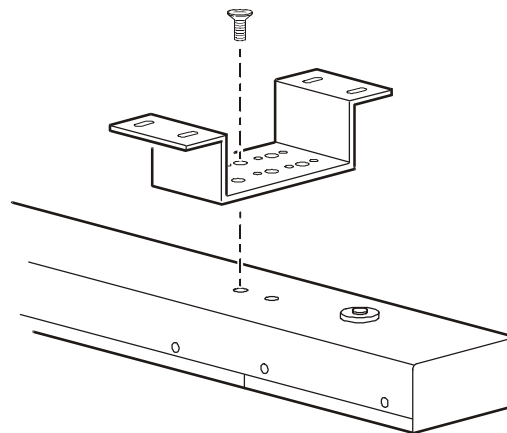
You can order a rack-mount bracket kit from APC (AR8116BLK). The brackets attach to the PDU in either of two directions, shown in the figures in step 1. Consider the orientation of the PDU in the enclosure before attaching the brackets. A recessed orientation allows the PDU to be mounted flush with the enclosure; a raised orientation allows you to route cables through the channel (see the figures in step 2).

1. Attach two brackets to the rear of the PDU, using two pan-head screws (provided in the bracket kit) for each bracket.

– Recessed orientation



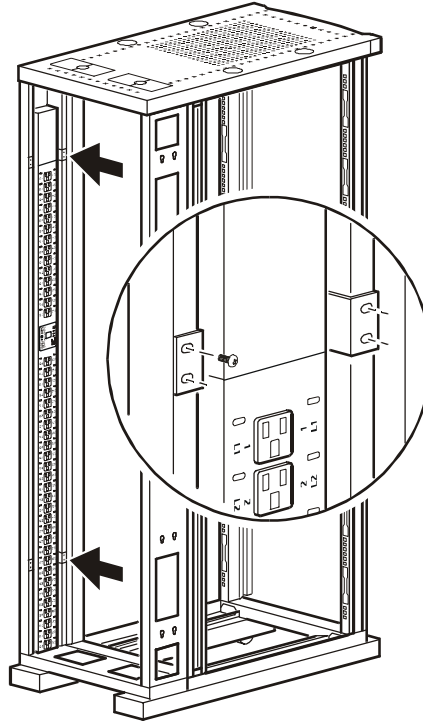
– Raised orientation



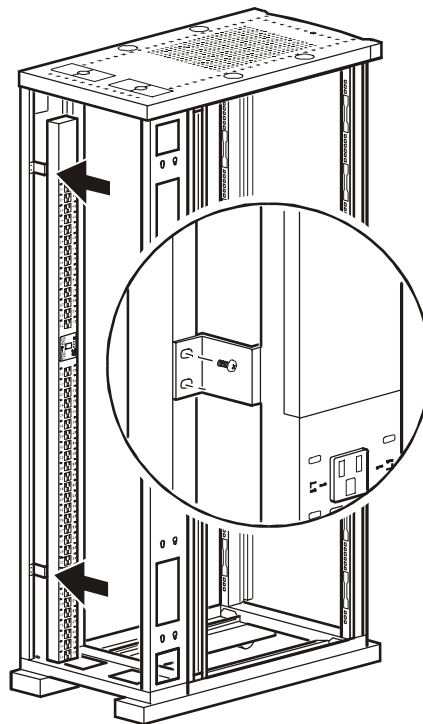
Note

You can mount two PDUs on one side of the enclosure by using the raised orientation.

2. Insert mounting screws (provided with the bracket kit) in the top and bottom positions in the channel where the brackets align with the holes. Tighten the screws to secure the PDU to the enclosure.
 - Recessed orientation



- Raised orientation



Specifications

AP7552

Electrical	
Nominal input voltage	230 V
Acceptable input voltage	± 10% Nominal input voltage
Input frequency	47–63 Hz
Input connectors	IEC–320–C20 plug
Output connectors	20 IEC–320–C13; 4 IEC–320–C19 outlets
Maximum total current draw	16 A
Physical	
Size (H × W × D)	63.75 × 2.19 × 1.73 in (161.92 × 5.56 × 4.39 cm)
Weight	10.7 lb (4.85 kg)
Shipping weight	12.7 lb (5.76 kg)
Environmental	
Elevation (above MSL) Operating Storage	0–15,000 ft (0–4500 m) 0–50,000 ft (0–15 000 m)
Temperature Operating Storage	0 to 45° C (32 to 115° F) –25 to 65° C (–13 to 149° F)
Humidity Operating Storage	5–95% RH Non-condensing 5–95% RH Non-condensing
Approvals	
Safety verification	VDE 0805, CE , EN 60950, IEC 60950

Warranty and Service

Limited warranty

APC warrants the PDU to be free from defects in materials and workmanship for a period of two years from the date of purchase. Its obligation under this warranty is limited to repairing or replacing, at its own sole option, any such defective products. This warranty does not apply to equipment that has been damaged by accident, negligence, or misapplication or has been altered or modified in any way. This warranty applies only to the original purchaser.

Warranty limitations

Except as provided herein, APC makes no warranties, express or implied, including warranties of merchantability and fitness for a particular purpose. Some jurisdictions do not permit limitation or exclusion of implied warranties; therefore, the aforesaid limitation(s) or exclusion(s) may not apply to the purchaser.

Except as provided above, in no event will APC be liable for direct, indirect, special, incidental, or consequential damages arising out of the use of this product, even if advised of the possibility of such damage.

Specifically, APC is not liable for any costs, such as lost profits or revenue, loss of equipment, loss of use of equipment, loss of software, loss of data, costs of substitutes, claims by third parties, or otherwise. This warranty gives you specific legal rights and you may also have other rights, which vary according to jurisdiction.

Obtaining service

To obtain support for problems with your PDU:

1. Note the serial number and date of purchase. The serial number is located on the bottom of the PDU.
2. Contact Customer Support at a phone number located on the back cover. A technician will try to help you solve the problem by phone.
3. If you must return the product, the technician will give you a return material authorization (RMA) number. If the warranty expired, you will be charged for repair or replacement.
4. Pack the unit carefully. The warranty does not cover damage sustained in transit. Enclose a letter with your name, address, RMA number and daytime phone number; a copy of the sales receipt; and a check as payment, if applicable.
5. Mark the RMA number clearly on the outside of the shipping carton.
6. Ship by insured, prepaid carrier to the address provided by the Customer Support technician.

Life-Support Policy

General policy

American Power Conversion (APC) does not recommend the use of any of its products in the following situations:

- In life-support applications where failure or malfunction of the APC product can be reasonably expected to cause failure of the life-support device or to affect significantly its safety or effectiveness.
- In direct patient care.

APC will not knowingly sell its products for use in such applications unless it receives in writing assurances satisfactory to APC that (a) the risks of injury or damage have been minimized, (b) the customer assumes all such risks, and (c) the liability of American Power Conversion is adequately protected under the circumstances.

Examples of life-support devices

The term *life-support device* includes but is not limited to neonatal oxygen analyzers, nerve stimulators (whether used for anesthesia, pain relief, or other purposes), autotransfusion devices, blood pumps, defibrillators, arrhythmia detectors and alarms, pacemakers, hemodialysis systems, peritoneal dialysis systems, neonatal ventilator incubators, ventilators (for adults and infants), anesthesia ventilators, infusion pumps, and any other devices designated as “critical” by the U.S. FDA.

Hospital-grade wiring devices and leakage current protection may be ordered as options on many APC UPS systems. APC does not claim that units with these modifications are certified or listed as hospital-grade by APC or any other organization. Therefore these units do not meet the requirements for use in direct patient care.

APC Worldwide Customer Support

Customer support for this or any other APC product is available at no charge in any of the following ways:

- Visit the APC Web site to find answers to frequently asked questions (FAQs), to access documents in the APC Knowledge Base, and to submit customer support requests.
 - **www.apc.com** (Corporate Headquarters)
Connect to localized APC Web sites for specific countries, each of which provides customer support information.
 - **www.apc.com/support/**
Global support with FAQs, knowledge base, and e-support.
- Contact an APC Customer Support center by telephone or e-mail.
 - Regional centers:

APC headquarters U.S., Canada	(1)(800)800-4272 (toll free)
Latin America	(1)(401)789-5735 (USA)
Europe, Middle East, Africa	(353)(91)702020 (Ireland)
Japan	(0) 3 5434-2021

- Local, country-specific centers: go to **www.apc.com/support/contact** for contact information.

Contact the APC representative or other distributor from whom you purchased your APC product for information on how to obtain local customer support.

Entire contents copyright © 2003 American Power Conversion. All rights reserved.

Reproduction in whole or in part without permission is prohibited. APC, the APC logo, InfraStruXure, and NetShelter are trademarks of American Power Conversion Corporation and may be registered in some jurisdictions. All other trademarks, product names, and corporate names are the property of their respective owners and are used for informational purposes only.

