



This mounting kit supports multiple access point (AP) models. All installation images show the 275 AP.

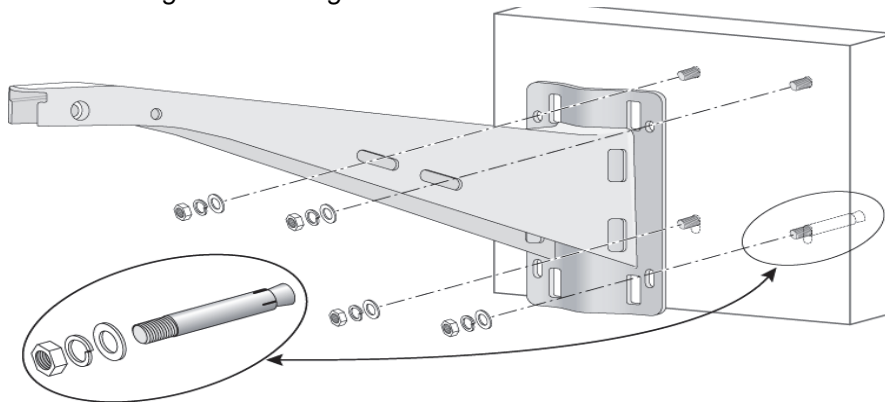
Package Content

- Vertical Mounting Bracket x 1
- M6x20 Screws x 2
- 60cm Cable Tie x 1
- 6 inches Hose Clamps x 2
- Installation Guide (this document)

Mounting the AP to a Wall

1. Begin by marking the mounting points on the wall in the location you have selected.
 - a. Put the vertical mounting bracket on the installation position against the wall.
 - b. Using the mounting bracket as the template, mark four mounting points on the wall.
2. Use a drill to create four holes on the four markings you created in the previous step.
3. Insert an anchor bolt into each drilled hole. Anchor bolts are not included in the mount kit.
4. Place the mounting bracket over the anchor bolts and press the bracket against the wall.
5. Place the washers and nut onto the bolt's threaded end and tighten the nut until the mounting bracket is firmly attached to the wall as shown in [Figure 1](#).

Figure 1 Attaching the Mounting Bracket to a Wall



6. Slide the holder of the AP into the opening of the bracket and use the two screws to fix the holder as shown in [Figure 2](#).

Figure 2 Attaching the AP to the Mounting Bracket

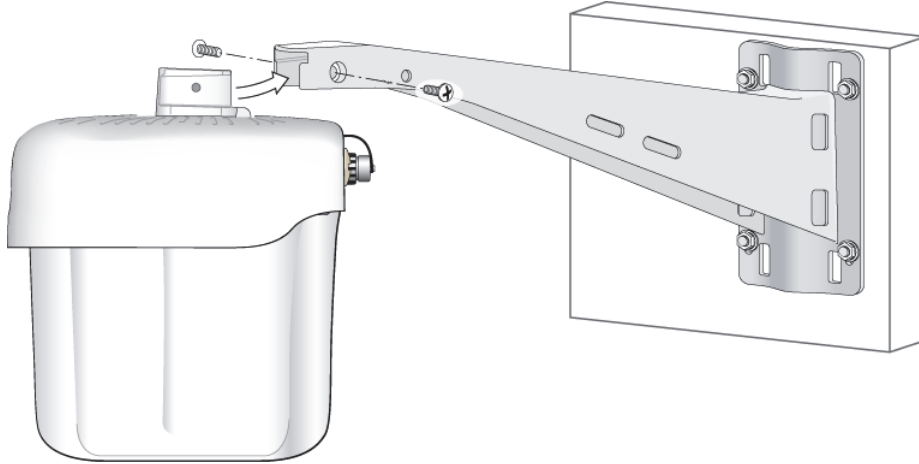
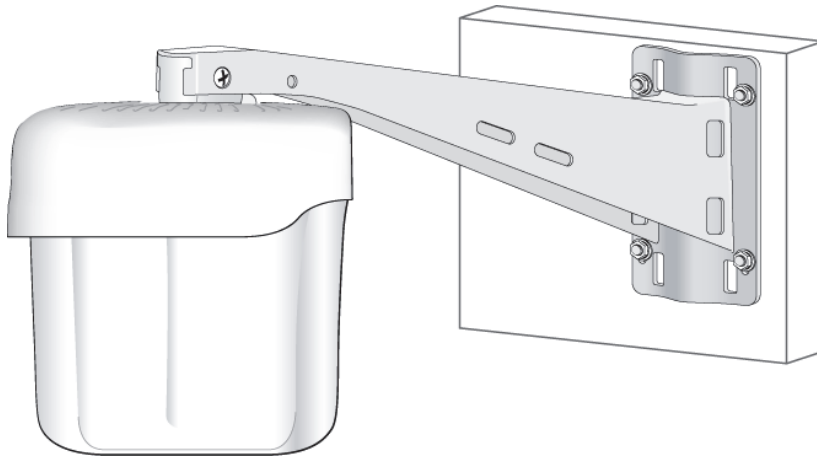


Figure 3 Completed Installation



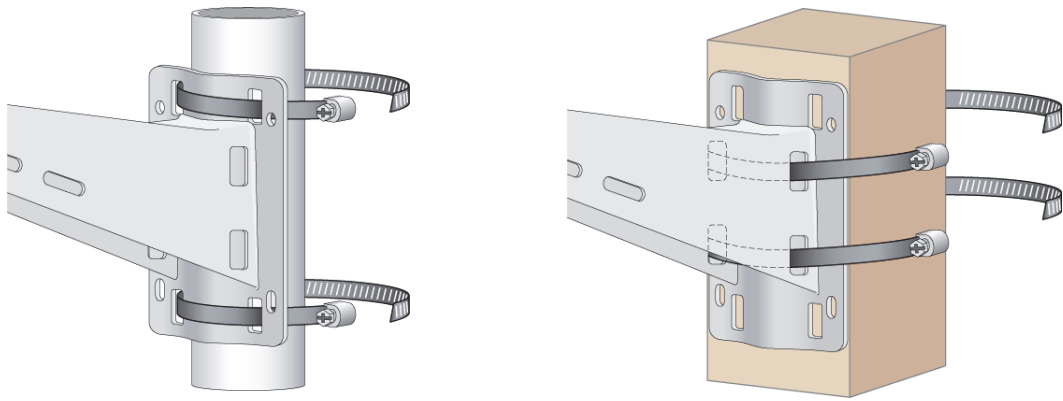
7. Use the cable ties to fasten the cables on the bracket.

Mounting the AP to a Vertical Pole

The vertical mounting bracket provides different slots for pole mounting according to the diameter and shape of the pole as shown in [Figure 4](#).

1. Begin by attaching the vertical mounting bracket to the vertical pole as shown in [Figure 4](#).
 - a. Pass a hose clamp through the two slots on the mounting bracket, attach the mounting bracket to the pole and tighten the clamp using a screw driver to twist its screw head.
 - b. Use another hose clamp through the other two slots on the mounting bracket and tighten the clamp.

Figure 4 Attaching the Mounting Bracket to a Vertical Pole



2. Slide the holder of the AP into the opening of the bracket and use the two screws to fix the holder as shown in [Figure 5](#).

Figure 5 Attaching the AP to the Vertical Mounting Bracket

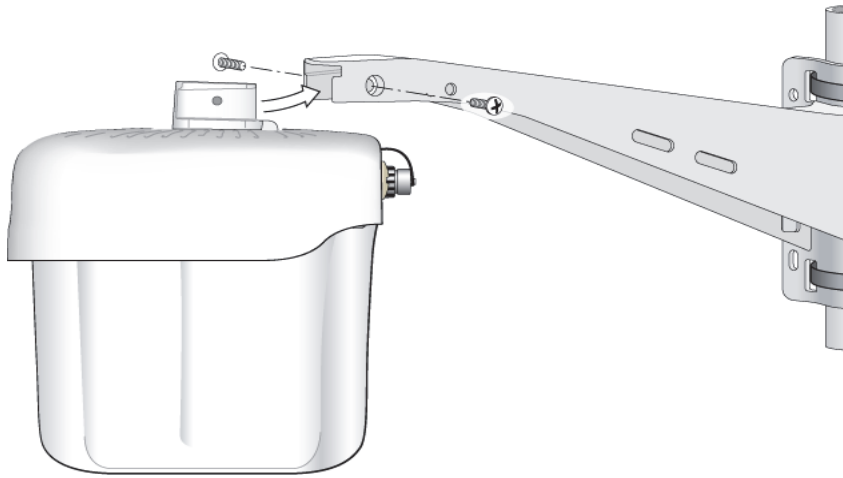
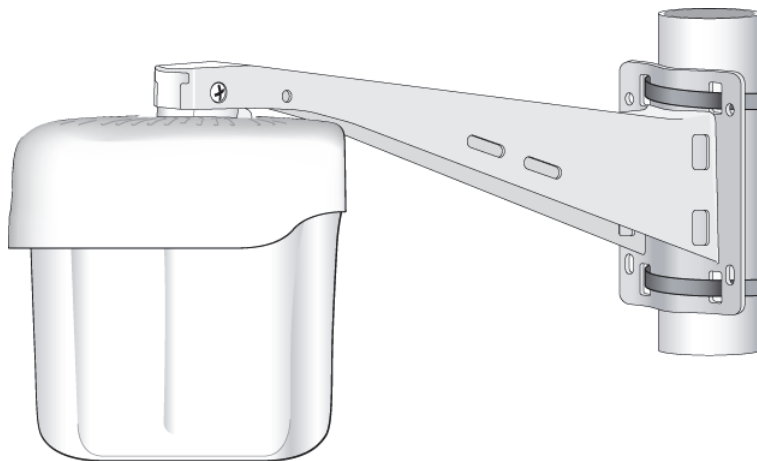


Figure 6 Completed Installation



This page is intentionally left blank.

