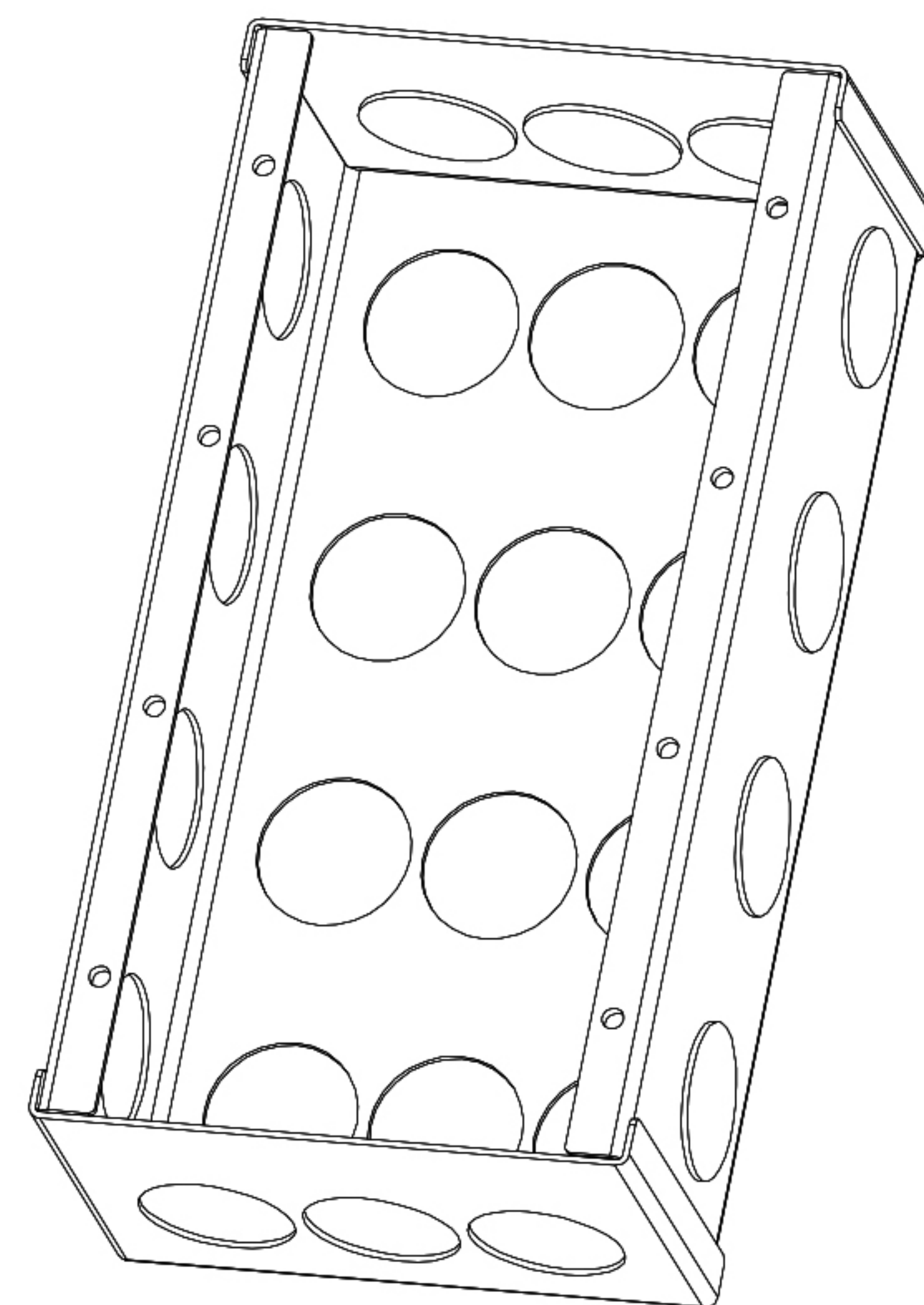
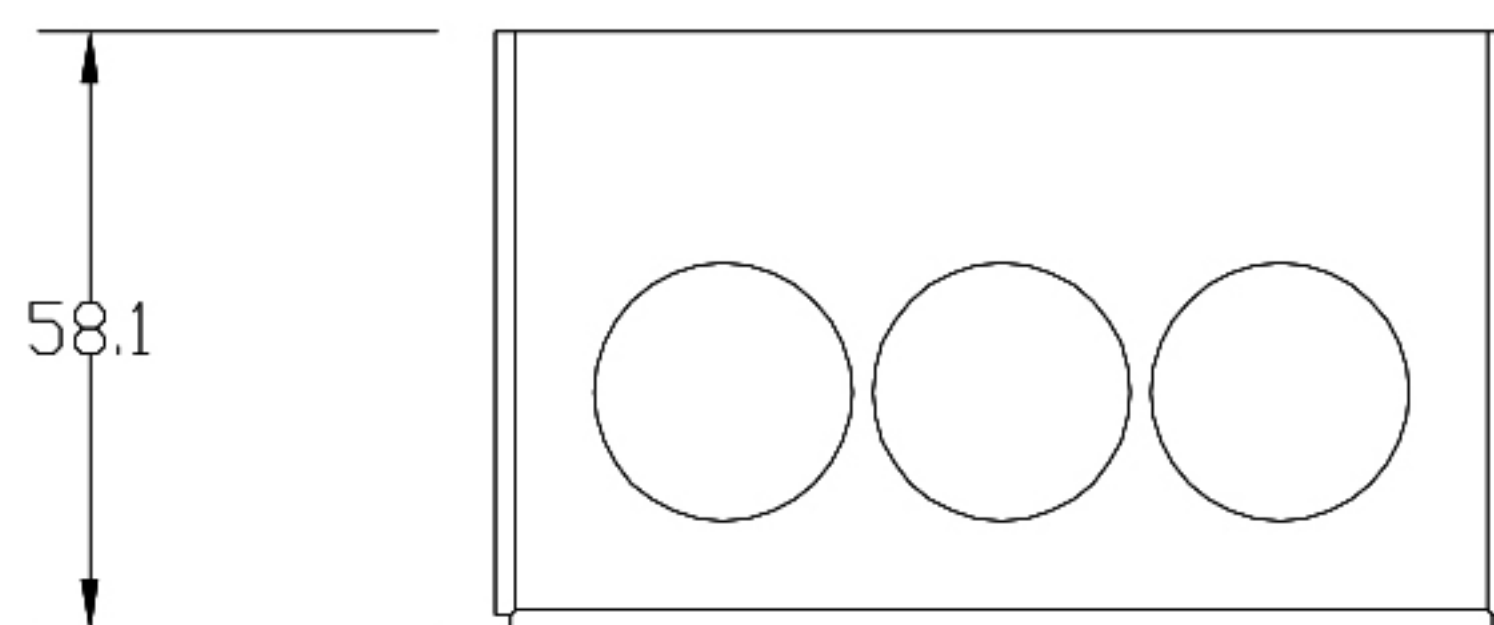
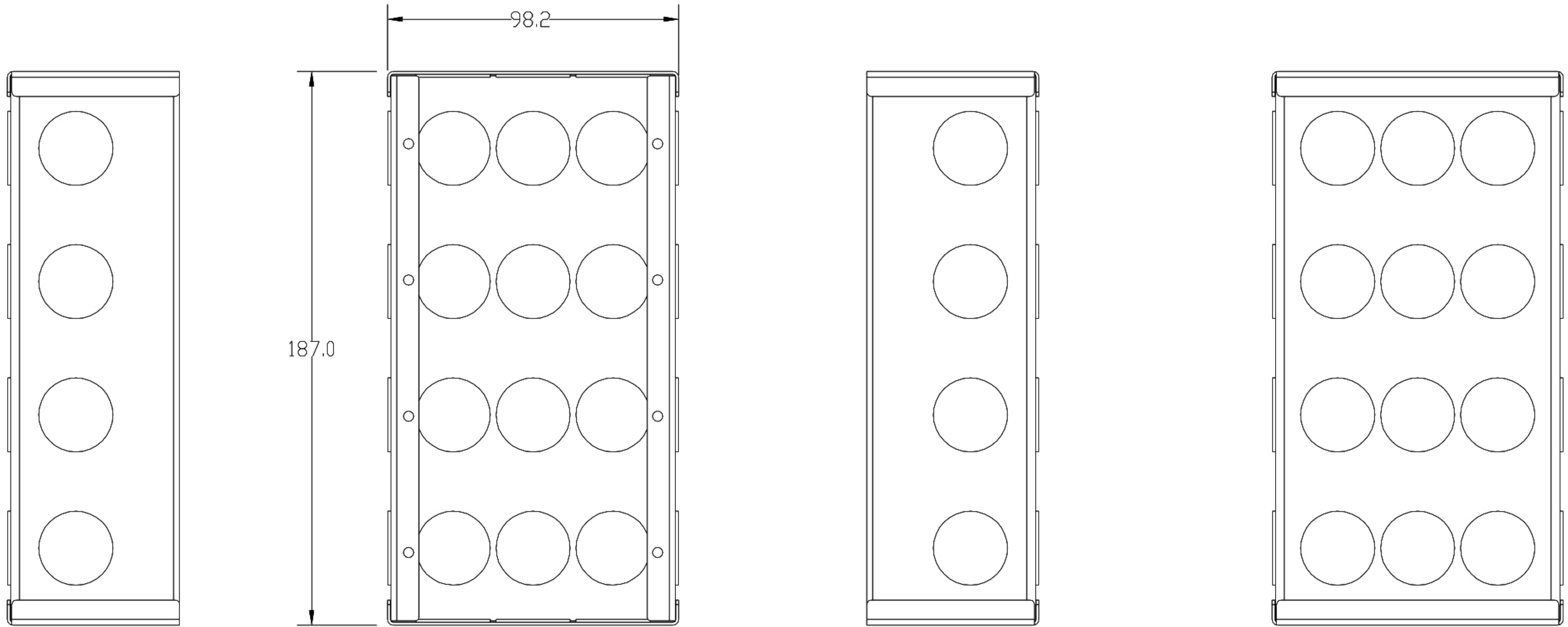
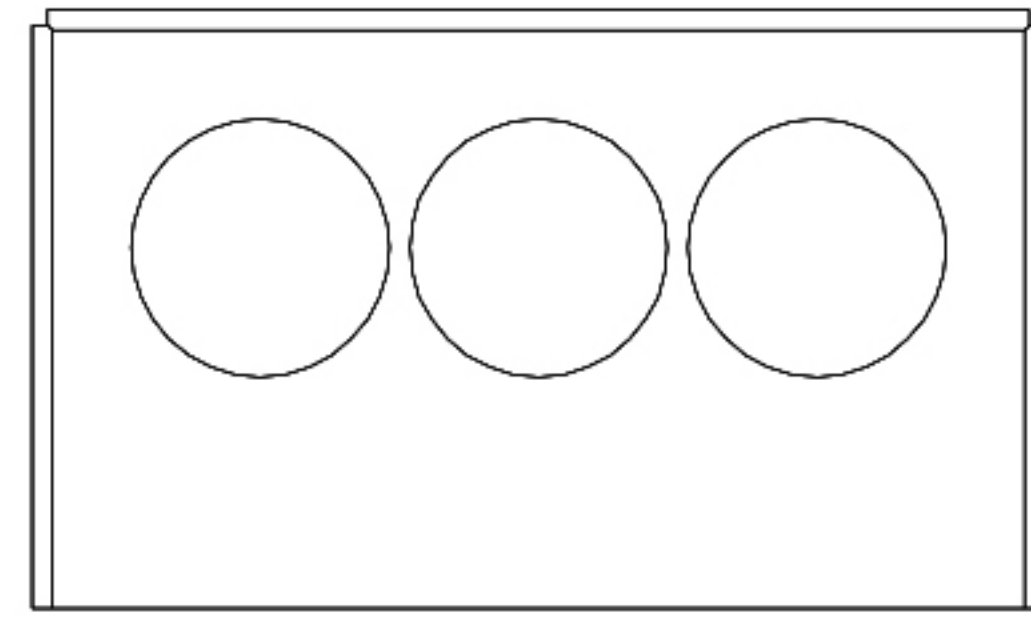


# In-Wall Mounting Kit

for E21V / E21A



**Akuvox**  
Open A Smart World

10/F, No.56 Guanri Road, Software Park II, Xiamen 361009, China  
Tel: +86-592-2133061 Ext: 7694/8162 Fax: +86-592-2133061  
Email: sales@akuvox.com Web: www.akuvox.com

Akuvox\_190828\_V1.0