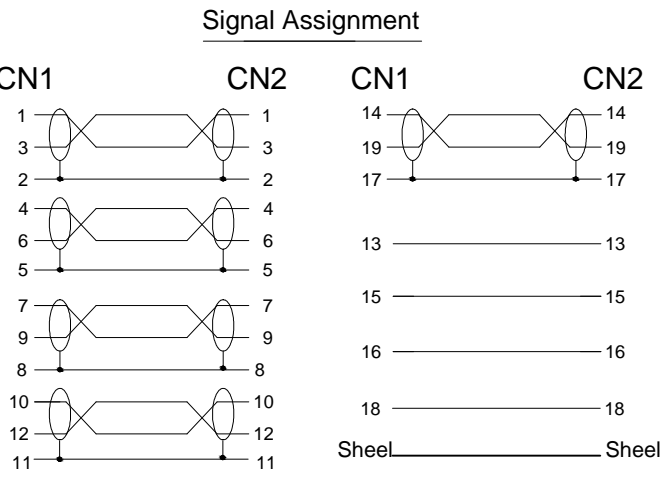
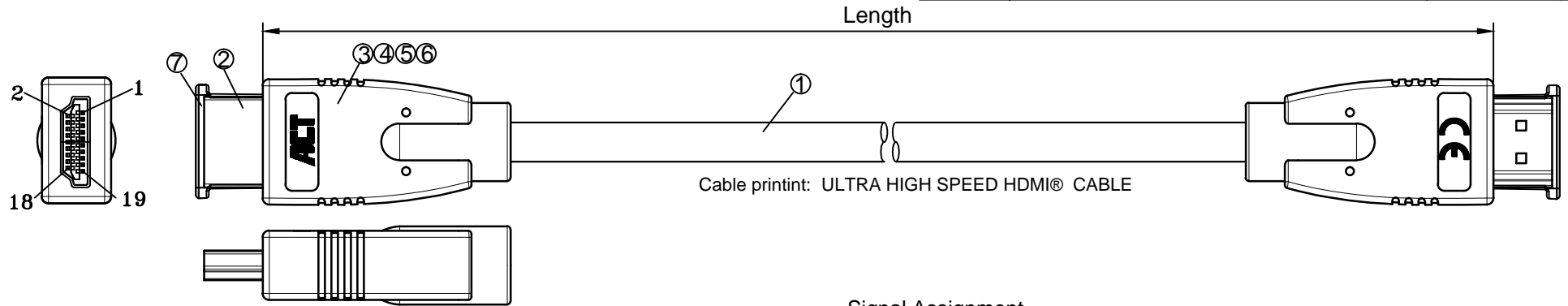
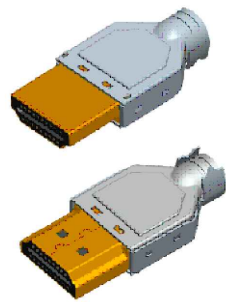


REV.	REVISED DESCRIPTION	DATE	CHECKED
A0	FIRST RELEASE	2020/03/30	



Remark:

- 1.100% Open/Short Test
- 2.Conductive Resistance:10ohms MAX
- 3.Insulation Resistance:5M ohm MIN.
- 4.HI-POT:DC 300V/10MS.
- 5.The product is CE/RoHS compliant/Reach.
- 6.Resolution:8K@60Hz

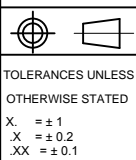


Remark:

- 1.100% Open/Short Test
- 2.Conductive Resistance:10ohms MAX
- 3.Insulation Resistance:5M ohm MIN.
- 4.HI-POT:DC 300V/10MS.
- 5.The product is RoHS compliant.
- 6.Support 8K@60Hz

Item NO.	Length(m)
AK-3907	1.0m
AK-3908	1.5m
AK-3909	2.0m

⑦		HDMI Protective Cap, PE	2PCS	
⑥	External Mold	Outer Mould 45P PVC, Black		
⑤	Copper Foil	Double sided conductor Copper Foil W5xL30MM	2PCS	
④	Shielding Shell	Shielding Shell,tinplate	2PCS	
③	Bracket	Bracket PA66	2PCS	
②	Connector	HDMI A PLUG PIN, Gold-Plated	2PCS	
①	Cable	30AWG 2.1V 30AWG(1/0.254BC x 1P + D1/0.254TC + AL-Foil + HM-Mylar) x 5C + 1/0.254BC x 4C + F + AL-foil + D1/0.254TC + 144/0.12AL, OD=6.5 Black PVC		
ITEM	DESCRIPTIONS & SPECIFICATIONS		QTY	REMARK



ACT			
ERP NO.:		SAMPLE DWG NO.:	
DOC No.:		REVISION	A0
CUSTOMER:		UNIT	mm
CUSTOMER P/N:		SCALE	NO
DESCRIPTION	HDMI2.1V 30AWG OD6.5mm 8K@60Hz with Can Shielding inside	PAGE NO	1/1
		DATE	2020/03/30
APPROVAL		CHECKED	
		DRAWN	