

DHI-LPH65/75/86/98-MC470-P

65/75/86/98" Dahua DeepHub Pro Smart Interactive Whiteboard



- 65/75/86/98-inch 4K DLED display with Zero Air Gap technology that delivers a clear image in sharp, vivid colors.
- Built-in AI 4K camera and 8 array microphone that produces excellent quality visual and audio communication.
- Wireless screen sharing from multiple devices with an intuitive, easy-to-use system.
- Ultra-smooth writing experience with handwriting recognition
- Quick file sharing by scanning a QR code, with easy file encryption for added privacy and security.
- Optional OPS module, dual-system switchable.
- Fingerprint lock for protection of user information.
- Support Dahua Video Conference Software

System Overview

With Android 11 and superb AI functions embedded in its design, Dahua DeepHub Pro Smart Interactive Whiteboard has powerful processing capabilities with its 8-core CPU, 8-EE GPU, and 8G RAM 64G storage capacity. Equipped with a high-precision infrared frame with a 2 mm identification diameter and a 4K high-definition DLED module, this whiteboard will give you an extraordinary experience of writing, controlling, or displaying content. It features video conferencing, wireless screen sharing, file management, HD display, scan & go, and more AI functions to improve user experience. Rely on this whiteboard to modernize your meeting rooms and classrooms.

Functions

AI powered 4K Camera and 8 array microphone

The built-in camera is a 4K ultra high resolution camera, and together with the built-in array microphone, DeepHub Pro also support advanced AI functions like auto-framing, speaker auto-center and even gesture control functions.

Hidden Antenna Design

The Wi-Fi and hotspot antenna has a front hidden design, which is not only beautiful and simple, but also ensures the stability of the signal strength when using a flush mount.

Wireless Screen Sharing

In addition to basic file share, wireless screensharing and reverse control, it also supports screen grouping (multiple transmission), real-time transmission of wireless camera picture and sound from the mobile phone, host mode (for overall authority control) and split-screen mode that displays up to 9 splits on the same screen.

Real Writing Experience with handwriting recognition

The smart interactive whiteboard supports multi pen-point writing. With its Zero Air Gap technology and low latency, writing on the whiteboard feels natural, similar to the real writing experience. And with the powerful AI ability of the built-in chipset, it also comes with advanced functions like handwriting recognition.

Strong System Security

Supports digital password, gesture password and fingerprint password for added protection. These unlock methods can all be applied to USB permissions, the lock screen, touch lock and factory restore settings. Up to 256 fingerprint passwords can be set, and the system supports fingerprint resolution 508 DPI. The false acceptance rate is less than 0.001%, and the false rejection rate is less than 0.1%.

Easy to Share

Enhances the experience of sharing files by scanning a code. It automatically determines the device network to readily share the QR code across the extranet and the intranet. QR code encryption and extraction are also featured, providing privacy and data security through the required entry of a 6-digit random password for verification.

Dahua Video Conference Software

The cloud computing teleconferencing system, compatibility and being able to connect to each other in the same network Dahua Video Conference Software able to share writing on whiteboard. And support camera resolution 1080P/30fps

Scene

The whiteboard is ideal for indoor sites such as meeting rooms, classrooms and command centers, hospitals, and banks.

Technical Specification

Built-in System

Operating System	Android 11
CPU	Quad-core A53 + Quad-core A73
RAM	8 GB
ROM	64 GB

LCD Panel

Panel Dimensions	65-inch; 75-inch; 86-inch; 98-inch
Brightness	65-inch: 400 cd/m ² ; 75-inch: 450 cd/m ² ; 86-inch: 450 cd/m ² ; 98-inch: 400 cd/m ²
Contrast	1200: 1
Resolution	3840 (H) × 2160 (V)
Aspect Ratio	16: 9
Backlight	DLED
Lifespan	30,000 hours
Viewing Angle	H: 178°; V: 178°

Touchscreen

Touch Technology Type	Infrared touch technology
Touch Points	20
Writing Mode	Finger + Pen
Response Time	<10 ms
Valid Touch	2 mm
Communication Mode	USB

Camera

Video output	4K @ 30fps
Auto Control	Auto white balance
Distortion	≤5%
Max. Resolution	4K@30 fps
Other Functions	Auto-framing; Speaker auto center

Speaker

Built-in Speaker	3
Power	Full frequency: 15 W × 2; bass: 15 W × 1

Microphone

Pick-up Distance	Far-field sound pickup: 6 m–8 m (19.69 ft–26.25 ft)
Number of Microphones	8
AGC	Yes
Echo Cancellation	Yes
Intelligent Noise Filtering	Yes
Polar Pattern	Omnidirectional

Fingerprint

Fingerprint Capacity	256
Fingerprint Resolution	508 DPI
FAR	<0.001%
FRR	<0.1%

Function

Operating System of External Module	Windows 7/8/10;Android
WiFi	Dual-band 2.4G/5G
Wi-Fi Hotspot	Dual-band 2.4G/5G; supports enabling Hotspot and Wi-Fi at the same time

Device Ports

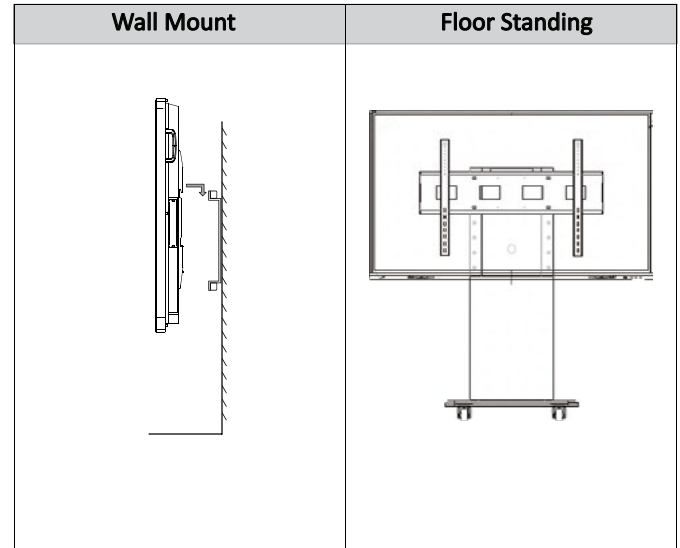
Light Sensor	1
Network Port	1 × RJ-45(10/100/1000) ,Support IPv4 , IPv6
Wi-Fi	1 × Wi-Fi; 1 × Hotspot, Supports WPA2,802.11 a/b/g/n/ac
USB	3 × USB3.0; 1 × USB2.0
USB-C	1 × USB Type-C
RS-232	1 × RS-232
Video Input	1 × HDMI IN
Video Output	1 × HDMI OUT
Audio Output	1 × 3.5 mm (Line OUT)
IrDA	1
Others	1 × USB-B (Touch)

General

Power Supply	100–240 VAC, 50/60 Hz
Power Consumption	65-inch: 150 W; 75-inch: 300 W; 86-inch: 400 W
Product Dimensions	65-inch: 1,504.5 mm × 952.5 mm × 86.1 mm (59.23" × 37.5" × 3.39"); 75-inch: 1,715.5 mm × 1,066.7 mm × 85.4 mm (67.54" × 42.00" × 3.36"); 86-inch: 1,960.8 mm × 1,204.7 mm × 85.4 mm (77.20" × 47.43" × 3.36")
Packaging Dimensions	65-inch: 1,660 mm × 1,045 mm × 245 mm (65.35" × 41.14" × 9.65") 75-inch: 1,880 mm × 1,160 mm × 280 mm (74.02" × 45.67" × 11.02") 86-inch: 2,140 mm × 1,340 mm × 280 mm (84.25" × 52.76" × 11.02")
Operating Temperature	–10 °C to +45 °C (+14 °F to +113 °F)
Storage Temperature	–20 °C to +55 °C (–4 °F to +131 °F)
Operating Humidity	10%–90%
Storage Humidity	10%–90%
Product Material	Metal casing
Glass	Anti-dazzle tempered glass with a hardness of 7 on the Mohs scale
Casing Color (Frame/Rear)	Silver & Black

Net Weight	65-inch: 44 kg (97.00 lb) 75-inch: 54 kg (119.05 lb) 86-inch: 66.75 kg (147.16 lb)
Gross Weight	65-inch: 56 kg (123.46 lb) 75-inch: 71.5 kg (157.63 lb) 86-inch: 87.05 kg (191.91 lb)
Installation	Wall mount; floor-standing

Installation



Ordering Information

Type	Model	Description
65-inch Smart Interactive Whiteboard With Camera	DHI-LPH65-MC470-P	Smart Interactive Whiteboard DHI-LPH65-MT470-P
75-inch Smart Interactive Whiteboard With Camera	DHI-LPH75-MC470-P	Smart Interactive Whiteboard DHI-LPH75-MT470-P
86-inch Smart Interactive Whiteboard With Camera	DHI-LPH86-MT470-P	Smart Interactive Whiteboard DHI-LPH86-MT470-P
Accessories	DHI-PKP-IP0A	Smart Pen (optional)
	DHI-PKP-WP0B	Wireless Screen Sharing Cable (optional)
	DHI-MC-PI5681IL	PC module I5-6400 + 8 GB + 128 GB (optional)
	DHI-MC-PI7682IL	PC module I7-6700 + 8 GB + 256 GB (optional)
	DHI-MC-PI5881IL	PC module I5 8 GB + 128 GB (optional)
	DHI-MC-PI5882IL	PC module I5 8 GB + 256 GB (optional)
	DHI-PKC-MS0A	65"/75" Interactive Whiteboard Mobile Stand (optional)
	DHI-PKC-MS1A	86" Interactive Whiteboard Mobile Stand (optional)
	DHI-PKC-MS0C	65"/75" Interactive Whiteboard Liftable Mobile Stand (optional)
	DHI-PKC-MS0B	65"/75" Interactive Whiteboard Mobile Stand (optional)
	DHI-PKC-MS1B	86" Interactive Whiteboard Mobile Stand (optional)