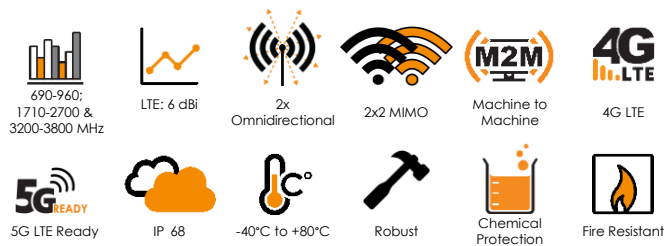


## ANTENNAS | PUCK-2

# 2 IN 1 LTE TRANSPORTATION & IOT/M2M ANTENNA

## 2X2 LTE (MIMO)



- **2 in 1 high performance multi frequency**
- **2G/3G/4G/LTE antenna (5G Ready)**
- **LTE (2 x MIMO)**
- **Wideband – covers wide frequency band, incl. the CBRS band**
- **Ground plane independent**
- **Robust, vandal resistant and water proof (IP68) antenna**
- **Ideal for transportation, marine and IoT/M2M use**
- **Ultra-versatile mounting options for easy installation**



## Product Overview

Poynting's new PUCK range offers a small profile antenna for use in the IoT/M2M, Smart Meter, Smart Utilities, Transportation, Marine and the Agricultural/Farming markets. The PUCK-2 consists of a 2-in-1 antenna system within a single housing, featuring 2x2 MIMO LTE antennas (for 2G/3G/4G) that cover the 698MHz to 3800MHz band which includes the most popular international LTE bands. The PUCK exceeds the performance of many competitors due to the attention to design of this high-performance antenna. The radiation patterns of all radiating elements provide an excellent balance between omnidirectionality, pattern diversity and good radiation abilities at the desired elevation which is often overlooked in such a small size antenna. Despite its small size, this antenna provides excellent performance especially at the higher frequency bands where performance is critical for LTE throughput and connection stability. This antenna is designed so that both the LTE ports are connected to the router/device to ensure the best performance. Please see other derivatives of the PUCK range that are more suitable for a SISO application.

## Features

- Small & Low-Profile (100mm x h 36mm)
- Careful mechanical design provides ruggedness, corrosion, water, dust resistance (IP68)
- Fire Resistant (complies with ECE-R 118.02)
- UV Stable Enclosure
- Ground plane independent – performs consistently with and without a ground plane
- 5G Ready; includes 3.2GHz to 3.8GHz CBRS Band
- Easy installation; multi implementation options (as standard)
  - Spigot Mount
  - Magnetic Mount
  - Adhesive Tape Mount
  - Bracket Mount

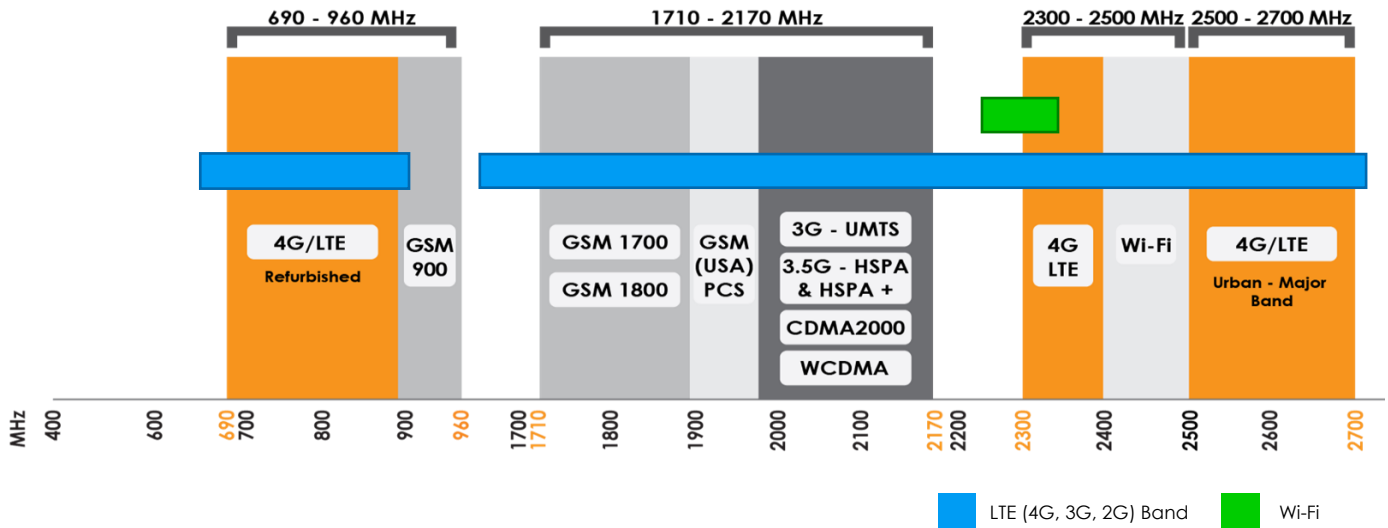
## Application Areas

- Smart Utilities: Smart Power, Gas & Water Metering
- Smart Buildings: Climate control, access control, security, irrigation
- Digital Signage
- Warehouses & Logistic systems
- Industrial factory automation, robotic machinery and other M2M systems
- Transport (Busses, Utility & Public Safety)
- Mining Vehicles & Machinery communications, telemetry and automation (M2M & IoT)
- Agricultural machinery
- Marine: small boats, yachts near to coastlines or inner waters.



**Frequency Bands – Cellular & Wi-Fi**

The PUCK-2 is suitable for the following Cellular frequency bands | 690-960 MHz | 1710-2170 MHz | 2300-2500 MHz | 2500-2700 MHz | 3200-3800 MHz | and the following Wi-Fi frequency bands | 2400-2500 MHz |



**Antenna Overview**

|                   |                    |
|-------------------|--------------------|
|                   |                    |
| Ports             | 2                  |
| SISO / MIMO       | 2x2 MIMO           |
| Frequency Bands   | 690 MHz - 3800 MHz |
| Peak Gain         | 6 dBi              |
| Coax Cable Type   | RTK-031            |
| Coax Cable Length | 2m                 |
| Connector Type    | SMA Male           |

## Electrical Specifications - Cellular

|                        |  |
|------------------------|--|
| Frequency bands:       | 690-960 MHz<br>1710-2700 MHz<br>3200-3800 MHz  |
| Gain (max) Port 1 & 2: | 6 dBi  |
| VSWR Port 1 & 2:       | ≤2.5:1 over 85% of the band  |
| Feed power handling:   | 10 W   |
| Input impedance:       | 50 Ohm (nominal)   |
| Polarisation:          | Linear Vertical  |
| Coax cable loss:       | 0.45 dB/m @ 900 MHz<br>0.71 dB/m @ 2000 MHz<br>0.79 dB/m @ 2500 MHz<br>0.9 dB/m @ 3000 MHz |
| DC Short:              | Yes  |

## Coax Cable & Connector Type -Cellular

|                  |            |
|------------------|------------|
| Cable length:    | 2m ±5%     |
| Coax cable type: | RTK-031    |
| Connector type:  | SMA (Male) |

*\*The coax cables & connectors are factory mounted to the antenna*

## Product Box Contents

|                   |  |
|-------------------|--|
| Antenna:          | A-PUCK-0001-V1-01  |
| Mounting bracket: | Threaded Spigots (Up to 60mm clamping thickness), Adhesive Surface Mounting & Magnetic Mount |

## Ordering Information

|                     |                   |
|---------------------|-------------------|
| Commercial name:    | PUCK-2            |
| Order product code: | A-PUCK-0002-V1-01 |
| EAN number:         | 6009880915217     |

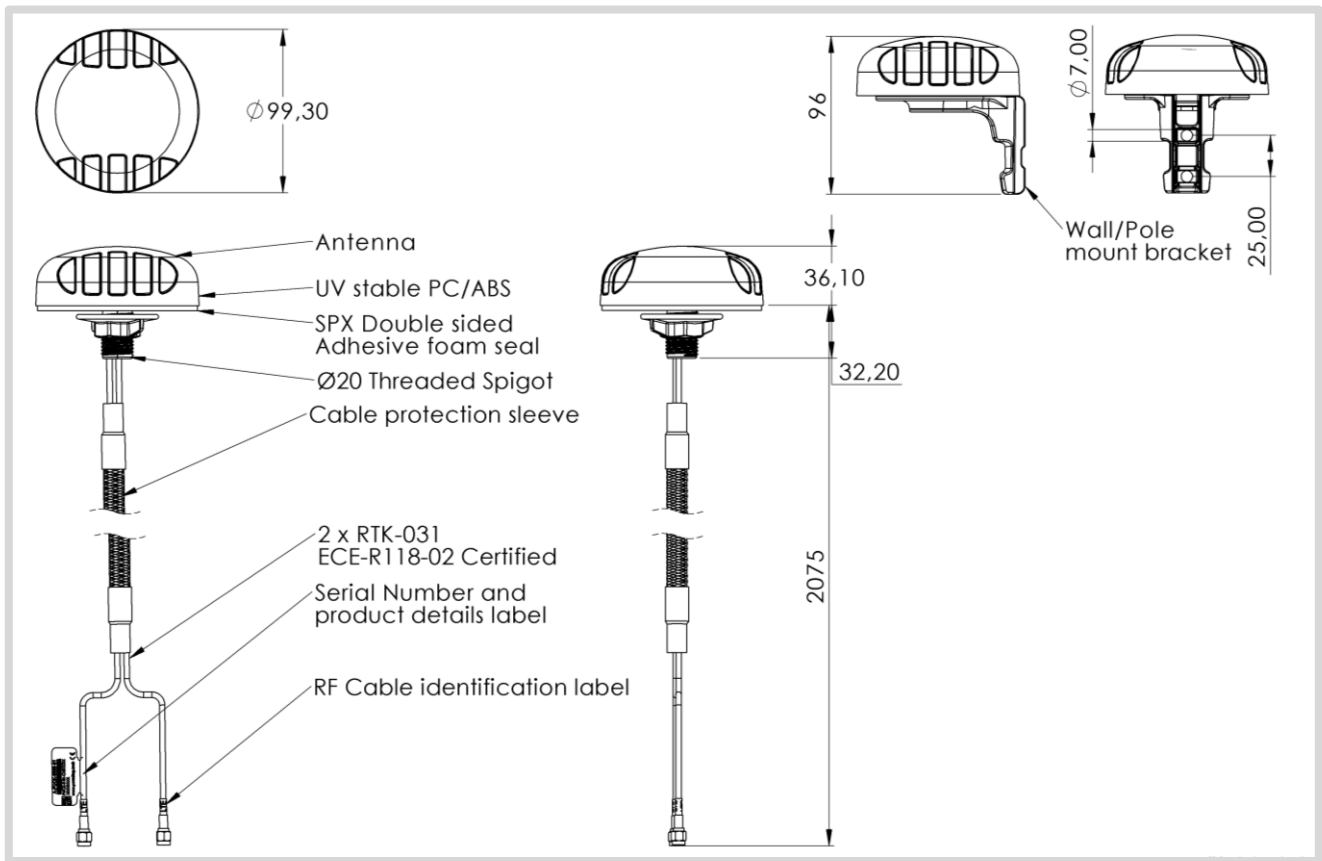
## Mechanical Specifications

|                      |   |
|----------------------|---|
| Product dimensions   | Ø99.3 mm x 36 mm  |
| Packaged dimensions: | 150 mm x 150mm x 120mm                                      |
| Weight:              | 0.376kg   |
| Packaged weight:     | 0.507kg   |
| Radome material:     | PC+ABS (Halogen free)                                       |
| Radome colour:       | Pantone Black   |
| Mounting Type:       | Ø20 Threaded Spigot, Pole, Wall, Surface and Magnetic mount |

## Environmental Specifications, Certification & Approvals

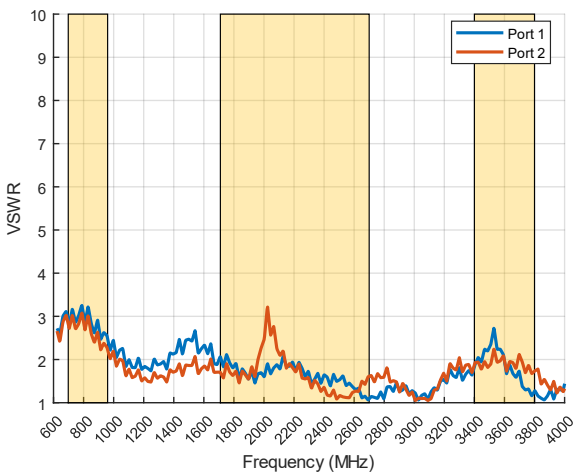
|  |  |
|--|--|
| Wind Survival:                           | <220 km/h                              |
| Temperature Range (Operating):           | -40°C to +80°C                         |
| Environmental Conditions:                | Outdoor/Indoor                         |
| Water ingress protection ratio/standard: | IP 68 – 30 minutes up to 1.5m          |
| Salt Spray:                              | MIL-STD 810F/ASTM B117                 |
| Operating Relative Humidity:             | Up to 98%                              |
| Storage Humidity:                        | 5% to 95% - non-condensing             |
| Storage Temperature:                     | -40°C to +80°C                         |
| Enclosure Flammability Rating:           | UL 94-HB, ECE-R118.02 Certified cables |
| Impact resistance:                       | IK 10                                  |
| Product Safety & Environmental:          | Complies with CE and RoHS standards,   |

Technical Drawings

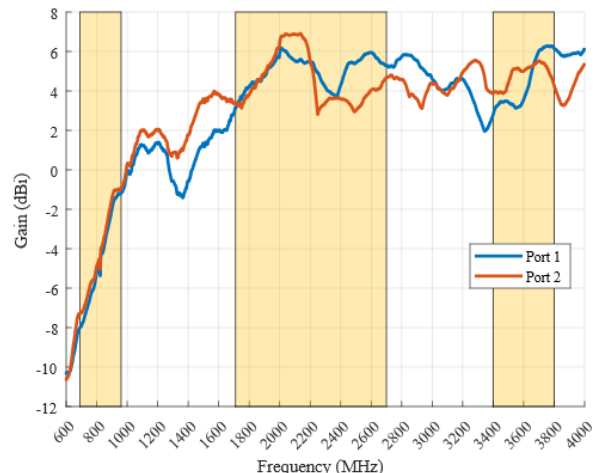


Antenna Performance Plots

VSWR: Cellular Antenna



Gain: Cellular Antenna



Voltage Standing Wave Ratio (VSWR)\*

VSWR is a measure of how efficiently radio-frequency power is transmitted from a power source, through a transmission line, into a load. In an ideal system, 100% of the energy is transmitted which corresponds to a VSWR of 1:1.

The PUCK-2 delivers superior performance across all bands with a VSWR of  $\leq 2.5:1$  over 85% of the band

\*Measured with 2m low loss cable

\*Measured with 50 $\Omega$  load terminated to unused port

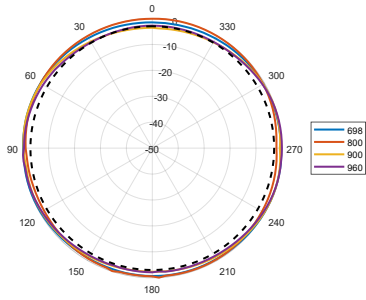
Gain in dBi

6 dBi is the peak gain across all bands from 690-960, 1710-2700 & 3400-3800 MHz

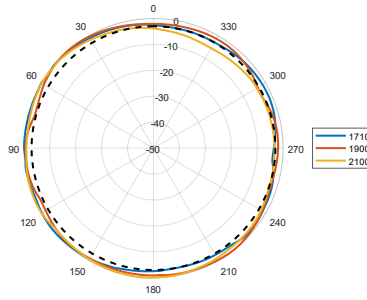
|                              |                        |
|------------------------------|------------------------|
| Peak Gain @ different bands: | -1 dBi @690-960MHz     |
| Peak Gain @ different bands: | 6.0 dBi @ 1710-2700MHz |
| Peak Gain @ different bands: | 6.0 dBi @3400-3800MHz  |

**Radiation Patterns – Cellular**

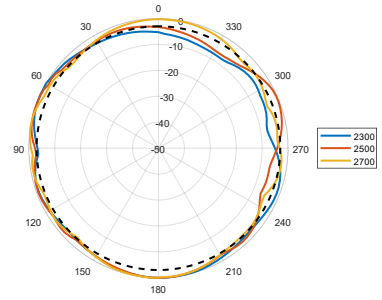
Azimuth (Top View): 690–960 MHz



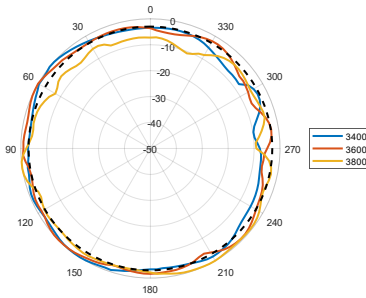
Azimuth (Top View): 1710–2100 MHz



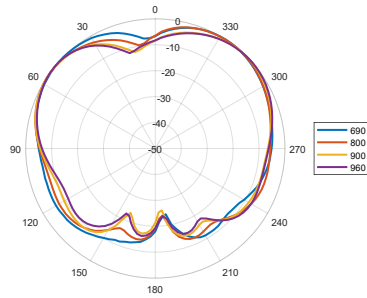
Azimuth (Top View): 2300–2700 MHz



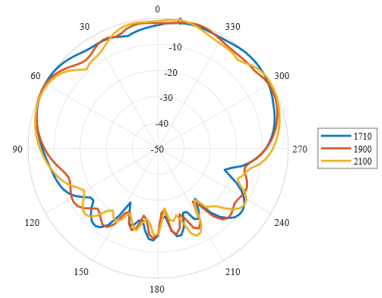
Azimuth (Top View): 3400–3800 MHz



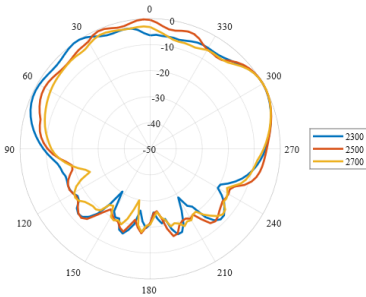
Elevation1 (Side View): 690–960 MHz



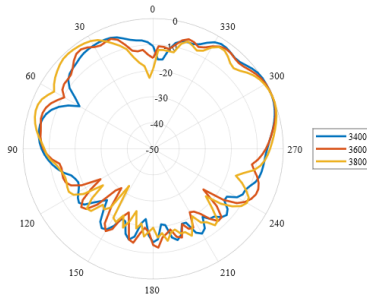
Elevation1 (Side View): 1710–2100 MHz



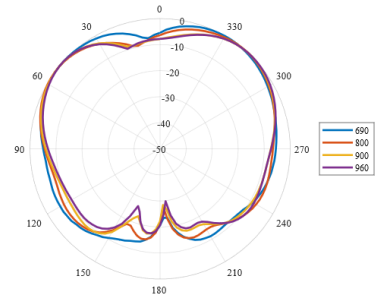
Elevation1 (Side View): 2300–2700 MHz



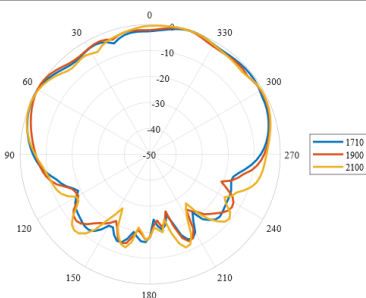
Elevation1 (Side View): 3400–3800 MHz



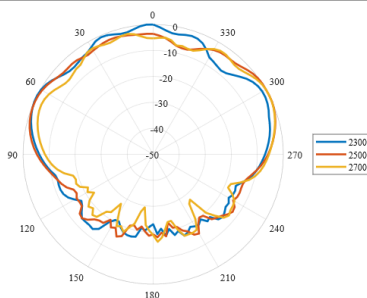
Elevation2 (Side View): 690–960 MHz



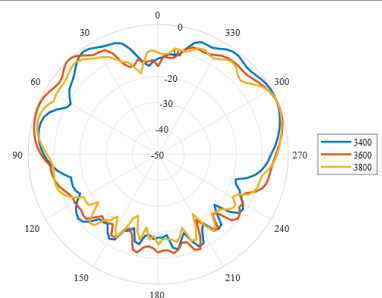
Elevation2 (Side View): 1710–2100 MHz



Elevation2 (Side View): 2300–2700 MHz



Elevation2 (Side View): 3400–3800 MHz

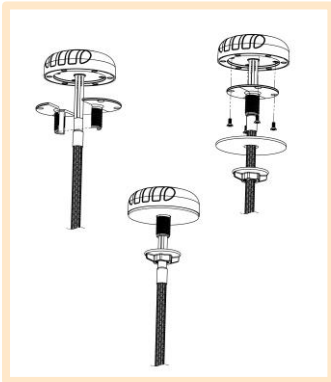


## Mounting Options

### Many Mounting Possibilities – included as standard

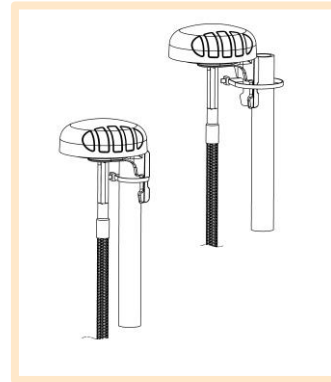
Poynting's new PUCK antenna range provides easy installation with the multiple mounting options. This includes as standard:

- Spigot Mount - two different lengths included (40mm & 80mm)
- Vertical Pole mount (inner & outer mounting for smaller and larger poles)
- Horizontal Pole Mount (e.g. marine rails)
- Magnetic Mount
- Surface Mount (Double Sided Tape)
- Wall Mount



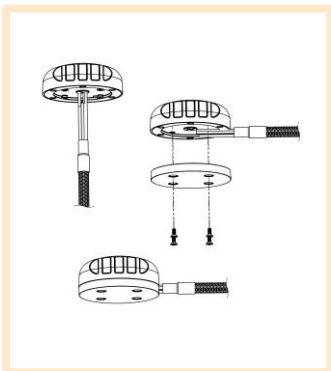
#### Spigot Mount

Removable 40mm & 80mm threaded spigot (included)



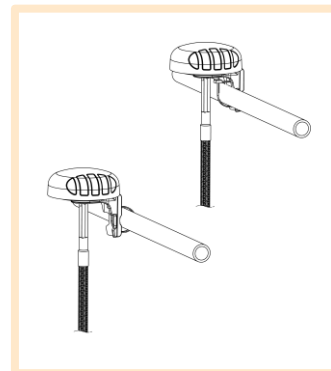
#### Vertical Pole Mount

Pole/Wall Mounting bracket (included)



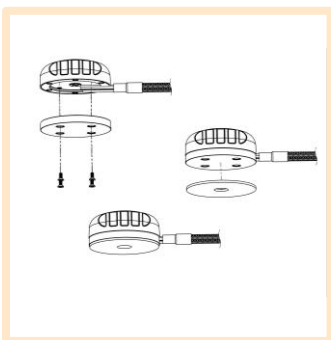
#### Magnetic Mount

Magnetic Base (included)  
 For temporary and low mobility installations.



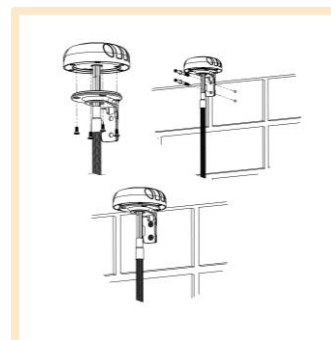
#### Horizontal Pole Mount

Pole/Wall Mounting bracket (included)



#### Surface Mount

Adhesive Surface Mounting (included) or can also be directly secured with longer M4 bolts (not included) to the female threaded inserts located in the antenna base



#### Wall Mount

Pole/Wall Mounting bracket (included)



---

### Additional Accessories

See accessories technical specifications on [www.poynting.tech](http://www.poynting.tech)

---

### Contact Poynting

#### **Poynting Antennas (Pty) Ltd - Head Office**

Unit 4, N1 Industrial Park  
Landmarks Avenue,  
Samrand, 0157  
South Africa

**Phone:** +27 (0) 12 657 0050

**E-mail:** [sales@poynting.co.za](mailto:sales@poynting.co.za)

#### **Poynting Europe**

Regus Business Center Neue Messe Riem  
Kronstadter Straße 4  
81677 München  
Germany

**Phone:** +49 89 208026538

**E-mail:** [sales-europe@poynting.tech](mailto:sales-europe@poynting.tech)